



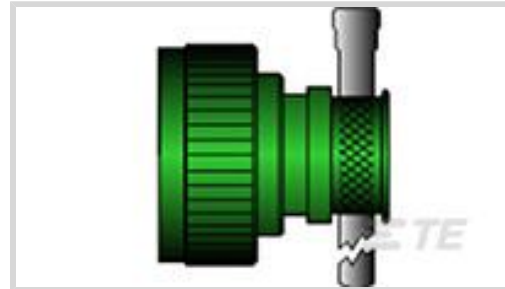
Raychem | [Raychem AS85049](#)

TE Internal #: CW3737-000

Raychem AS85049, Unscreened Backshells & Adapters, Straight, Cadmium, Cable-to-Cable, Wire & Cable, Cable Mount (Free-Hanging)

[View on TE.com >](#)

Connectors > Connector Backshells & Adapters > Unscreened > M85049/82 Unscreened, Banding Backshells



Adapter Angle: **Straight**

Adapter Plating Material: **Cadmium**

Connector System: **Cable-to-Cable**

Sealable: **No**

Connector & Contact Terminates To: **Wire & Cable**

[All M85049/82 Unscreened, Banding Backshells \(18\)](#)

Features

Product Type Features

Connector Shell Size	18
Adapter Angle	Straight
Connector System	Cable-to-Cable
Sealable	No
Connector & Contact Terminates To	Wire & Cable

Body Features

Adapter Plating Material	Cadmium
--------------------------	---------

Mechanical Attachment

Connector Mounting Type	Cable Mount (Free-Hanging)
-------------------------	----------------------------

Usage Conditions

Operating Temperature Range	-65 – 175 °C[-85 – 347 °F]
-----------------------------	----------------------------

Product Compliance

[For compliance documentation, visit the product page on TE.com>](#)

EU RoHS Directive 2011/65/EU	Not Compliant
EU ELV Directive 2000/53/EC	Compliant

China RoHS 2 Directive MIIT Order No 32, 2016

Restricted Materials Above Threshold

EU REACH Regulation (EC) No. 1907/2006

Current ECHA Candidate List: JAN 2021 (211)

Candidate List Declared Against: JAN 2021 (211)

SVHC > Threshold:

Pb (.3% in BODY & NUT)

Cd (3% in BODY & NUT)

Article Safe Usage Statements:

Use personal protective equipment as required. Do not eat, drink or smoke when using this product. Wash thoroughly after handling. Recycle if possible and dispose of the article by following all applicable governmental regulations relevant to your geographic location.

Halogen Content

Low Halogen - Br, Cl, F, I < 900 ppm per homogenous material. Also BFR/CFR/PVC Free

Solder Process Capability

Not applicable for solder process capability

Product Compliance Disclaimer

This information is provided based on reasonable inquiry of our suppliers and represents our current actual knowledge based on the information they provided. This information is subject to change. The part numbers that TE has identified as EU RoHS compliant have a maximum concentration of 0.1% by weight in homogenous materials for lead, hexavalent chromium, mercury, PBB, PBDE, DBP, BBP, DEHP, DIBP, and 0.01% for cadmium, or qualify for an exemption to these limits as defined in the Annexes of Directive 2011/65/EU (RoHS2). Finished electrical and electronic equipment products will be CE marked as required by Directive 2011/65/EU. Components may not be CE marked. Additionally, the part numbers that TE has identified as EU ELV compliant have a maximum concentration of 0.1% by weight in homogenous materials for lead, hexavalent chromium, and mercury, and 0.01% for cadmium, or qualify for an exemption to these limits as defined in the Annexes of Directive 2000/53/EC (ELV). Regarding the REACH Regulation, the information TE provides on SVHC in articles for this part number is based on the latest European Chemicals Agency (ECHA) 'Guidance on requirements for substances in articles' posted at this URL: <https://echa.europa.eu/guidance-documents/guidance-on-reach>

Compatible Parts

Also in the Series | [Raychem AS85049](#)



Backshell Accessories(1)



Screened Backshells & Adapters(137)

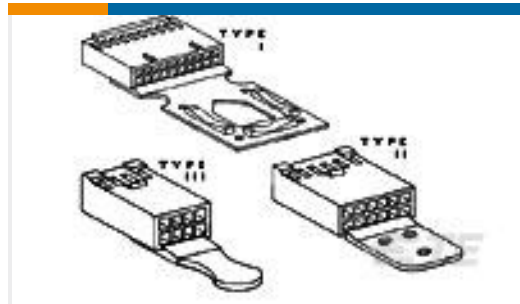


Unscreened Backshells & Adapters (267)

Customers Also Bought



TE Part #414002-4
PLUG,CABLE,RTANG,SMB,NI PLTD



TE Part #2-102184-9
08 MODIV HSG W/STR RLF DR .100



TE Part #1-88859-4
011 HOUSING FFC RCPT SR 100CL



TE Part #YDTS26W17-08PAV001
PLUG ASSY



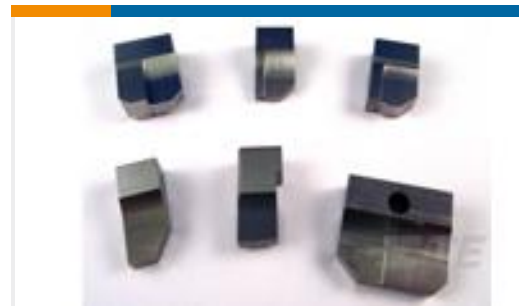
TE Part #1-456407-1
CRIMPER WIRE .100 F



TE Part #103944-2
5X3 MTE SHRD PIN SR POL .100



TE Part #2101676-2
RCPT,7 POS,Sz103 w/SOLDER CUPS,
240 POL



TE Part #3-662185-7
ANVIL, COMBINATION,.070



TE Part #63277-1
MAG-MATE 090 PIN 22-20 016TPBR



TE Part #770834-3
MINI UMNL SOCKET AU

Documents

Product Drawings

[R85049/82-18W02](#)

English

CAD Files

[3D PDF](#)

[3D](#)

Customer View Model

[ENG_CVM_CVM_CW3737-000_1.2d_dxf.zip](#)



English

Customer View Model

[ENG_CVM_CVM_CW3737-000_1.3d_igs.zip](#)

English

Customer View Model

[ENG_CVM_CVM_CW3737-000_1.3d_stp.zip](#)

English

By downloading the CAD file I accept and agree to the [Terms and Conditions](#) of use.

Datasheets & Catalog Pages

[AS85049 Adapters and Band Straps](#)

English

Instruction Sheets

[Instruction Sheet \(U.S.\)](#)

English

X-ON Electronics

Largest Supplier of Electrical and Electronic Components

Click to view similar products for [Circular MIL Spec Backshells](#) category:

Click to view products by [TE Connectivity](#) manufacturer:

Other Similar products are found below :

[60-036152-022](#) [610HS012M15](#) [M28840/504WA](#) [M28840/805WB](#) [M28840/809WA](#) [M28840/815WA](#) [M28840/816WA](#) [627AS017M14](#)
[627MA124M14S](#) [655HS002NF11](#) [CW3899-000](#) [M85049/10-134S](#) [M85049/10-17S](#) [M85049/10-33S](#) [M85049/10-94W](#) [M85049/11-28N](#)
[M85049/11-37N](#) [M85049/11-53N](#) [M85049/11-63N](#) [M85049/120-14W](#) [M85049/124-23W](#) [M85049/1720N04B](#) [M85049/1821W05C](#)
[M85049/1825W06C](#) [M85049/1919N05](#) [M85049/23-74W](#) [M85049/24-71N](#) [M85049/25-47N](#) [M85049/25-94W](#) [M85049/27S12N](#) [M85049/39-](#)
[11S](#) [M85049/39-17S](#) [M85049/39-9S](#) [M85049/6-10B](#) [M85049/6-19N](#) [M85049/6-20B](#) [M85049/77-20W04](#) [M85049/78-11N03](#) [M85049/78-](#)
[15W02](#) [M85049/78-17N04](#) [M85049/78-19N05](#) [M85049/79-19N07](#) [M85049/79-25N04](#) [M85049/82-18N02](#) [M85049/82-22P02](#) [M85049/83-](#)
[10W03](#) [M85049/84-20N03](#) [M85049/8-48N](#) [M85049/85-24N01](#) [M85049/85-24P01](#)