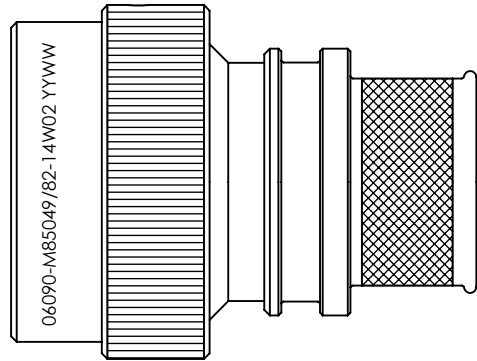


REVISIONS



## SELF-LOCKING SHIELD BAND TERMINATION SHRINK BOOT ACCOMMODATION ADAPTOR

1. THIS PRODUCT IS DESIGNED TO TERMINATE A BRAIDED CABLE SHIELD AND A HEAT SHRINKABLE LIPPED BOOT TO A CONNECTOR, AND DESIGNED TO MEET REQUIREMENTS OF AS85049/82.
2. ALL COMPONENTS SHALL BE PACKAGED AND SUPPLIED IN A PLASTIC BAG AND LABELED WITH M85049/82 DESIGNATION. e.g. M85049/82-14W02.
3. THIS ADAPTOR MATES TO CONNECTOR SAE-AS50151 CRIMP, MIL-DTL-26482 SERIES 2, SAE-AS81703 SERIES 3, AND MIL-DTL-83723 SERIES III.
4. PART SUPPLIED WITH STANDARD DETENTED SELF-LOCKING WHICH PROVIDES A POSITIVE AUDIBLE DETENTED COUPLING.
5. CATEGORY 3B - MEDIUM DUTY - NON-ENVIRONMENTAL
6. FOR MATERIALS AND PLATING FINISHES INFORMATION REFER TO R85049.  
FOR ALTERNATIVE MATERIALS AND PLATING FINISHES CONTACT TE CONNECTIVITY.

RELEASED FOR PUBLICATION

ALL RIGHTS RESERVED.

THIS DRAWING IS UNPUBLISHED.

© COPYRIGHT 20 BY

|  |                   |            |   |                           |            |       |        |     |
|--|-------------------|------------|---|---------------------------|------------|-------|--------|-----|
| DIMENSIONS:<br>INCHES  | DWN: N.HAWKINS    | 30/05/2019 | MATERIAL: SEE P/N BREAKDOWN   | FINISH: SEE P/N BREAKDOWN |            |       |        |     |
|  | CHK: R.STYLES     | 14/06/2019 | <b>STE</b> TE Connectivity  |                           |            |       |        |     |
| TOLERANCES UNLESS OTHERWISE SPECIFIED:<br><br>GENERAL TOL<br>LINEAR $\pm 0.01"$<br>ANGULAR $\pm 1^\circ$ | APVD: M.PAUL      | 27/06/2019 | PART NUMBER: R85049/82 SERIES   |                           |            |       |        |     |
|  | PRODUCT SPEC:     | -          | NAME: Connector Accessories, Electrical, Backshell, Straight, Self-Locking, Shield Band Termination (RFI/EMI), Shrink Sleeve Accommodation, Category 3B |                           |            |       |        |     |
|  | APPLICATION SPEC: | -          | SIZE  | CAGE CODE                 | DRAWING NO |       |        |     |
|  | WEIGHT:           | -          | A4  | 06090                     | ©-P45750   |       |        |     |
|  | CUSTOMER DRAWING  |            |   | SCALE                     | 1.5:1      | SHEET | 1 OF 2 | REV |

REVISIONS

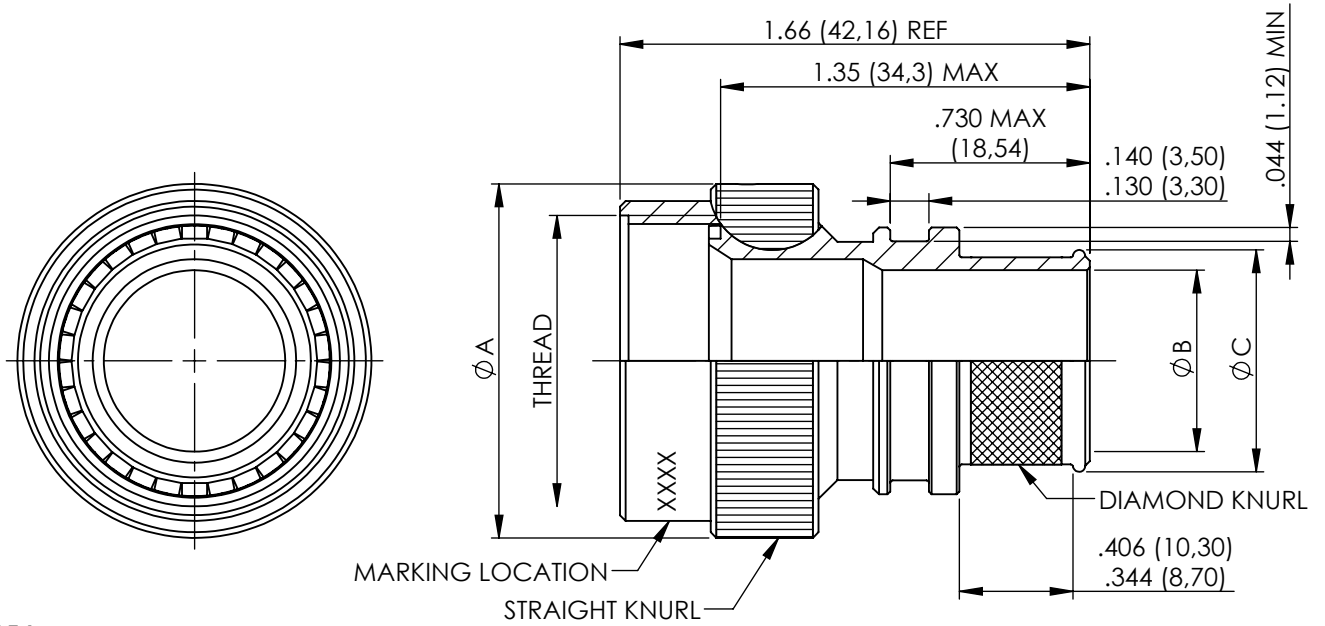


TABLE 1

| ACCESSORY SHELL SIZE | FOR CONNECTOR SHELL SIZE (REF) |                        |               |                          | THREAD         | A MAX DIA     | B DIA ±.010 ENTRY SIZE |               | C DIA REF     |               |
|----------------------|--------------------------------|------------------------|---------------|--------------------------|----------------|---------------|------------------------|---------------|---------------|---------------|
|                      | AS81703 SERIES 3               | MIL-DTL-26482 SERIES 2 | AS50151 CRIMP | MIL-DTL-83723 SERIES III |                |               | 02                     | 03            | 02            | 03            |
| 08                   | ---                            | 8                      | 8S            | 8                        | 1/2-20 UNEF    | .885 (22,48)  | N/A                    | .250 (6,35)   | N/A           | .395 (10,03)  |
| 10                   | ---                            | 10                     | 10S, 10SL     | 10                       | 5/8-24 UNEF    | 1.010 (25,65) | N/A                    | .312 (7,92)   | N/A           | .457 (11,61)  |
| 12                   | 7                              | 12                     | 12S AND 12    | 12                       | 3/4-20 UNEF    | 1.135 (28,83) | .312 (7,92)            | .438 (11,13)  | .457 (11,61)  | .583 (14,81)  |
| 14                   | 12                             | 14                     | 14S AND 14    | 14                       | 7/8-20 UNEF    | 1.260 (32,00) | .438 (11,13)           | .562 (14,27)  | .583 (14,81)  | .707 (17,96)  |
| 16                   | 19                             | 16                     | 16S AND 16    | 16                       | 1-20 UNEF      | 1.385 (35,18) | .500 (12,70)           | .625 (15,88)  | .645 (16,38)  | .770 (19,56)  |
| 18                   | 27                             | 18                     | 18            | 18                       | 1 1/16-18 UNEF | 1.510 (38,35) | .625 (15,88)           | .750 (19,05)  | .770 (19,56)  | .895 (22,73)  |
| 20                   | 37                             | 20                     | 20            | 20                       | 1 3/16-18 UNEF | 1.635 (41,53) | .625 (15,88)           | .812 (20,62)  | .770 (19,56)  | .957 (24,31)  |
| 22                   | ---                            | 22                     | 22            | 22                       | 1 5/16-18 UNEF | 1.760 (44,70) | .688 (17,48)           | .938 (23,83)  | .829 (21,06)  | 1.083 (27,51) |
| 24                   | ---                            | 24                     | 24            | 24                       | 1 7/16-18 UNEF | 1.885 (47,88) | .750 (19,05)           | 1.000 (25,40) | .895 (22,73)  | 1.145 (29,08) |
| 28                   | ---                            | ---                    | 28            | ---                      | 1 3/4-18 UNS   | 2.135 (54,23) | .875 (22,23)           | 1.125 (28,58) | 1.020 (25,91) | 1.270 (32,26) |
| 61                   | 61                             | ---                    | ---           | ---                      | 1 1/2-18 UNEF  | 1.95 (49,53)  | .750 (19,05)           | 1.000 (25,40) | .895 (26,30)  | 1.145 (29,08) |

METRIC EQUIVALENTS ARE IN PARENTHESIS AND ARE GIVEN FOR GENERAL INFORMATION ONLY

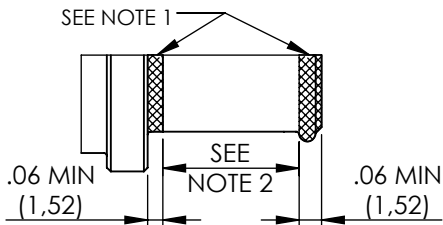
TABLE 2

| CODE | FINISH  |
|------|---|
| N    | ELECTROLESS NICKEL (96HRS SALT SPRAY RESISTANCE)                                    |
| W    | CADMIUM OLIVE DRAB OVER ELECTROLESS NICKEL (1000HRS SALT SPRAY RESISTANCE)          |
| Z    | ZINC NICKEL BLACK PASSIVATE OVER ELECTROLESS NICKEL (1000HRS SALT SPRAY RESISTANCE) |
| P    | CADMIUM OLIVE DRAB OVER ELECTROLESS NICKEL (SELECTIVE PLATING)                      |

NOTES FOR SELECTIVE PLATING: -

1. CADMIUM/NICKEL INTERFACE SHALL BE COATED WITH POLYSULFIDE SEALANT.
2. AREA FREE OF CADMIUM.

SELECTIVE PLATING



R85049/82-14W02

BASIC PART NUMBER \_\_\_\_\_  
 SPECIFICATION SHEET \_\_\_\_\_  
 CONFIGURATION \_\_\_\_\_  
 - (DASH) FOR SELF-LOCKING \_\_\_\_\_  
 CONNECTOR SHELL SIZE (TABLE 1) \_\_\_\_\_  
 FINISH (TABLE 2) \_\_\_\_\_  
 ENTRY SIZE (TABLE 1) \_\_\_\_\_

THIS DRAWING IS UNPUBLISHED. ALL RIGHTS RESERVED. COPYRIGHT 20 BY

|  |                   |            |   |                           |              |
|--|-------------------|------------|---|---------------------------|--------------|
| DIMENSIONS:<br>INCHES                      | DWN: N.HAWKINS    | 30/05/2019 | MATERIAL: SEE P/N BREAKDOWN   | FINISH: SEE P/N BREAKDOWN |              |
|  | CHK: R.STYLES     | 14/06/2019 | TE Connectivity   |                           |              |
| TOLERANCES UNLESS OTHERWISE SPECIFIED:     | APVD: M.PAUL      | 27/06/2019 |   |                           | PART NUMBER: |
| GENERAL TOL<br>LINEAR ±.01"<br>ANGULAR ±1° | PRODUCT SPEC:     | -          | NAME: Connector Accessories, Electrical, Backshell, Straight, Self-Locking, Shield Band Termination (RFI/EMI), Shrink Sleeve Accommodation, Category 3B |                           |              |
|  | APPLICATION SPEC: | -          | SIZE  | CAGE CODE                 | DRAWING NO   |
|  | WEIGHT:           | A4         | 06090   | C=P45750                  |              |
|  | CUSTOMER DRAWING  | SCALE      | 1.5:1   | SHEET                     | 2 OF 2       |

## X-ON Electronics

Largest Supplier of Electrical and Electronic Components

*Click to view similar products for [Circular MIL Spec Backshells](#) category:*

*Click to view products by [TE Connectivity](#) manufacturer:*

Other Similar products are found below :

[5M2920-3CW](#) [60-036152-022](#) [610HS012M15](#) [M28840/504WA](#) [M28840/805WB](#) [M28840/809WA](#) [M28840/815WA](#) [M28840/816WA](#)  
[627AS017M14](#) [627MA124M14S](#) [655HS002NF11](#) [CW3899-000](#) [M85049/10-134S](#) [M85049/10-17S](#) [M85049/10-33S](#) [M85049/10-94W](#)  
[M85049/11-28N](#) [M85049/11-37N](#) [M85049/11-53N](#) [M85049/11-63N](#) [M85049/120-14W](#) [M85049/124-23W](#) [M85049/1720N04B](#)  
[M85049/1821W05C](#) [M85049/1825W06C](#) [M85049/1919N05](#) [M85049/23-74W](#) [M85049/24-71N](#) [M85049/25-47N](#) [M85049/25-94W](#)  
[M85049/27S12N](#) [M85049/39-11S](#) [M85049/39-17S](#) [M85049/39-9S](#) [M85049/6-10B](#) [M85049/6-19N](#) [M85049/6-20B](#) [M85049/77-20W04](#)  
[M85049/78-11N03](#) [M85049/78-15W02](#) [M85049/78-17N04](#) [M85049/78-19N05](#) [M85049/79-19N07](#) [M85049/79-25N04](#) [M85049/82-18N02](#)  
[M85049/82-22P02](#) [M85049/83-10W03](#) [M85049/84-20N03](#) [M85049/8-48N](#) [M85049/85-24N01](#)