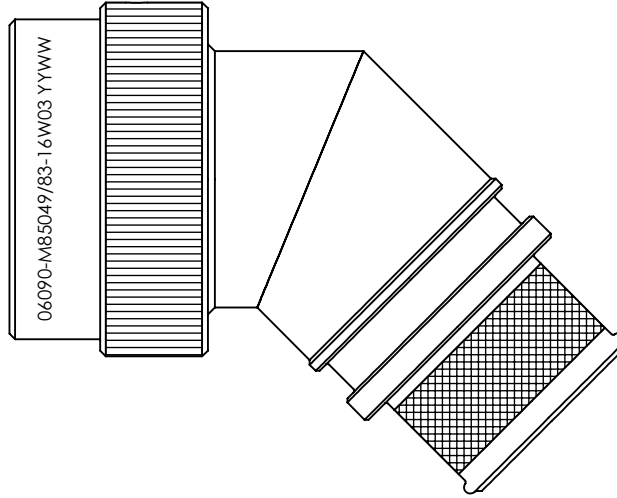


REVISIONS



SELF-LOCKING SHIELD BAND TERMINATION SHRINK BOOT ACCOMMODATION 45° ADAPTOR

1. THIS PRODUCT IS DESIGNED TO TERMINATE A BRAIDED CABLE SHIELD AND A HEAT SHRINKABLE LIPPED BOOT TO A CONNECTOR, AND DESIGNED TO MEET REQUIREMENTS OF AS85049/83.
2. ALL COMPONENTS SHALL BE PACKAGED AND SUPPLIED IN A PLASTIC BAG AND LABELED WITH M85049/83 DESIGNATION. e.g. M85049/83-16W03.
3. THIS ADAPTOR MATES TO CONNECTOR SAE-AS50151 CRIMP, MIL-DTL-26482 SERIES 2, SAE-AS81703 SERIES 3, AND MIL-DTL-83723 SERIES III.
4. PART SUPPLIED WITH STANDARD DETENTED SELF-LOCKING WHICH PROVIDES A POSITIVE AUDIBLE DETENTED COUPLING.
5. CATEGORY 3B - MEDIUM DUTY - NON-ENVIRONMENTAL
6. FOR MATERIALS AND PLATING FINISHES INFORMATION REFER TO R85049.
FOR ALTERNATIVE MATERIALS AND PLATING FINISHES CONTACT TE CONNECTIVITY.

RELEASED FOR PUBLICATION

ALL RIGHTS RESERVED.

THIS DRAWING IS UNPUBLISHED.

© COPYRIGHT 20 BY

| | | | | |
|--|------------------------|------------|---|---------------------------|
| DIMENSIONS: INCHES | DWN: N.HAWKINS | 05/06/2019 | MATERIAL: SEE P/N BREAKDOWN | FINISH: SEE P/N BREAKDOWN |
| | CHK: R.STYLES | 14/06/2019 | STE TE Connectivity | |
| TOLERANCES UNLESS OTHERWISE SPECIFIED: GENERAL TOL LINEAR ±.01" ANGULAR ±1° | APVD: M.PAUL | 27/06/2019 | PART NUMBER: R85049/83 SERIES | |
| | PRODUCT SPEC: - | | NAME: Connector Accessories, Electrical, Backshell, 45 Deg, Self-Locking, Shield Band Termination (RFI/EMI), Shrink Sleeve Accommodation, Category 3B | |
| | APPLICATION SPEC: - | | SIZE: A4 | CAGE CODE: 06090 |
| | WEIGHT: | | DRAWING NO: C -P45757 | |
| | CUSTOMER DRAWING | | RESTRICTED TO | |
| | | | SCALE: 1.5:1 | SHEET: 1 OF 2 |
| | | | | REV: CA |

REVISIONS

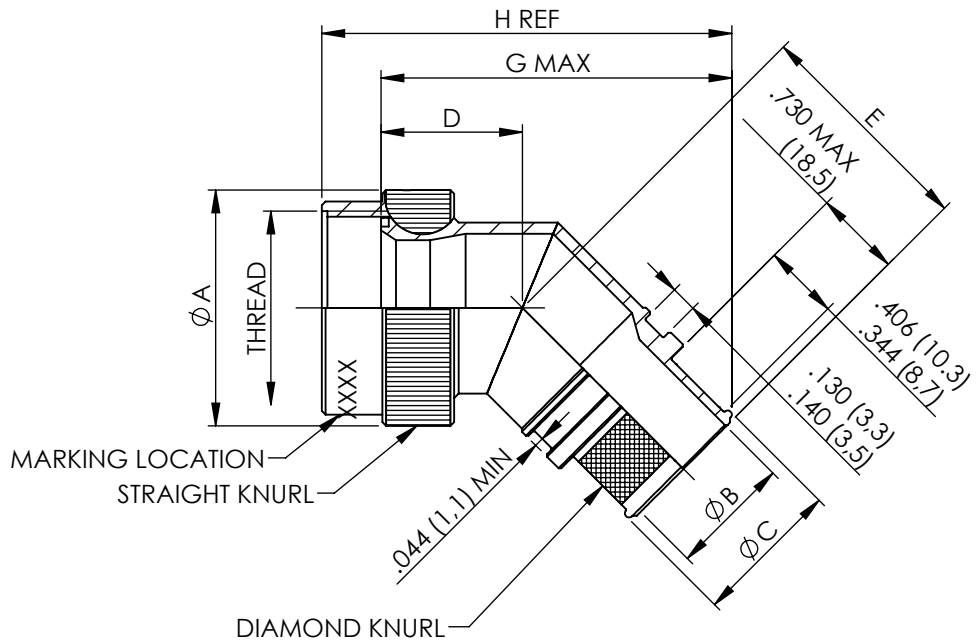


TABLE 1

| ACCESSORY SHELL SIZE | FOR CONNECTOR SHELL SIZE (REF) | | | | THREAD | A MAX DIA | B DIA ±.010 ENTRY SIZE | | C DIA REF | | D MAX | E MAX | G MAX. WITH C | | H (REF) WITH C | |
|----------------------|--------------------------------|------------------------|---------------|--------------------------|----------------|---------------|------------------------|---------------|---------------|---------------|--------------|--------------|---------------|---------------|----------------|---------------|
| | AS81703 SERIES 3 | MIL-DTL-26482 SERIES 2 | AS50151 CRIMP | MIL-DTL-83723 SERIES III | | | 02 | 03 | 02 | 03 | | | 02 | 03 | 02 | 03 |
| 08 | --- | 8 | 8S | 8 | 1/2-20 UNEF | .885 (22.48) | N/A | .250 (6.35) | N/A | .395 (10.03) | .87 (22.10) | 1.16 (29.46) | N/A | 1.830 (46.48) | N/A | 2.135 (54.23) |
| 10 | --- | 10 | 10S, 10SL | 10 | 5/8-24 UNEF | 1.010 (25.65) | N/A | .312 (7.92) | N/A | .457 (11.61) | .89 (22.61) | 1.18 (29.97) | N/A | 1.886 (47.90) | N/A | 2.191 (55.65) |
| 12 | 7 | 12 | 12S AND 12 | 12 | 3/4-20 UNEF | 1.135 (28.83) | .312 (7.92) | .438 (11.13) | .457 (11.61) | .583 (14.81) | .92 (23.37) | 1.20 (30.48) | 1.930 (49.02) | 1.975 (50.17) | 2.235 (56.77) | 2.280 (57.91) |
| 14 | 12 | 14 | 14S AND 14 | 14 | 7/8-20 UNEF | 1.260 (32.00) | .438 (11.13) | .562 (14.27) | .583 (14.81) | .707 (17.96) | .94 (23.88) | 1.22 (30.99) | 2.009 (51.03) | 2.053 (52.15) | 2.314 (58.78) | 2.358 (59.89) |
| 16 | 19 | 16 | 16S AND 16 | 16 | 1-20 UNEF | 1.385 (35.18) | .500 (12.70) | .625 (15.88) | .645 (16.38) | .770 (19.56) | .94 (24.38) | 1.25 (31.75) | 2.072 (52.63) | 2.116 (53.75) | 2.377 (60.38) | 2.421 (61.49) |
| 18 | 27 | 18 | 18 | 18 | 1 1/16-18 UNEF | 1.510 (38.35) | .625 (15.88) | .750 (19.05) | .770 (19.56) | .895 (22.73) | .98 (24.89) | 1.26 (32.00) | 2.143 (54.43) | 2.187 (55.55) | 2.448 (62.18) | 2.492 (63.30) |
| 20 | 37 | 20 | 20 | 20 | 1 3/16-18 UNEF | 1.635 (41.53) | .625 (15.88) | .812 (20.62) | .770 (19.56) | .957 (24.31) | 1.00 (25.40) | 1.29 (32.77) | 2.184 (55.47) | 2.251 (57.18) | 2.489 (63.22) | 2.556 (64.92) |
| 22 | --- | 22 | 22 | 22 | 1 5/16-18 UNEF | 1.760 (44.70) | .688 (17.48) | .938 (23.83) | .829 (21.06) | 1.083 (27.51) | 1.03 (26.16) | 1.31 (33.27) | 2.249 (57.12) | 2.339 (59.41) | 2.554 (64.87) | 2.644 (67.16) |
| 24 | --- | 24 | 24 | 24 | 1 7/16-18 UNEF | 1.885 (47.88) | .750 (19.05) | 1.000 (25.40) | .895 (22.73) | 1.145 (29.08) | 1.05 (26.67) | 1.34 (34.04) | 2.314 (58.78) | 2.402 (61.01) | 2.619 (66.52) | 2.707 (68.76) |
| 28 | --- | --- | 28 | --- | 1 3/4-18 UNS | 2.135 (54.23) | .875 (22.23) | 1.125 (28.58) | 1.020 (25.91) | 1.270 (32.26) | 1.10 (27.94) | 1.38 (35.05) | 2.594 (65.89) | 2.683 (68.15) | 3.061 (77.75) | 3.150 (80.01) |

METRIC EQUIVALENTS ARE IN PARENTHESIS AND ARE GIVEN FOR GENERAL INFORMATION ONLY

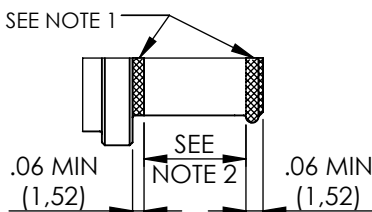
TABLE 2

| CODE | FINISH |
|------|---|
| N | ELECTROLESS NICKEL (96HRS SALT SPRAY RESISTANCE) |
| W | CADMIUM OLIVE DRAB OVER ELECTROLESS NICKEL (1000HRS SALT SPRAY RESISTANCE) |
| Z | ZINC NICKEL BLACK PASSIVATE OVER ELECTROLESS NICKEL (1000HRS SALT SPRAY RESISTANCE) |
| P | CADMIUM OLIVE DRAB OVER ELECTROLESS NICKEL (SELECTIVE PLATING) |

NOTES FOR SELECTIVE PLATING: -

1. CADMIUM/NICKEL INTERFACE SHALL BE COATED WITH POLYSULFIDE SEALANT.
2. AREA FREE OF CADMIUM.

SELECTIVE PLATING



BASIC PART NUMBER
 SPECIFICATION SHEET
 CONFIGURATION
 - (DASH) FOR SELF-LOCKING
 CONNECTOR SHELL SIZE (TABLE 1)
 FINISH (TABLE 2)
 ENTRY SIZE (TABLE 1)

R85049/83-16W03

RELEASED FOR PUBLICATION

ALL RIGHTS RESERVED.

THIS DRAWING IS UNPUBLISHED.

BY COPYRIGHT 20

DIMENSIONS: INCHES

DWN: N.HAWKINS 05/06/2019

MATERIAL: SEE P/N BREAKDOWN

FINISH: SEE P/N BREAKDOWN

TOLERANCES UNLESS OTHERWISE SPECIFIED:

CHK: R.STYLES 14/06/2019



APVD: M.PAUL 27/06/2019

PART NUMBER: R85049/83 SERIES

GENERAL TOL LINEAR ±.01" ANGULAR ±1°

PRODUCT SPEC: -

NAME: Connector Accessories, Electrical, Backshell, 45 Deg, Self-Locking, Shield Band Termination (RFI/EMI), Shrink Sleeve Accommodation, Category 3B

APPLICATION SPEC: -

SIZE: A4 CAGE CODE: 06090 DRAWING NO: C=P45757 RESTRICTED TO

WEIGHT: CUSTOMER DRAWING

SCALE: 1:1 SHEET: 2 OF 2 REV: CA

X-ON Electronics

Largest Supplier of Electrical and Electronic Components

Click to view similar products for [Circular MIL Spec Backshells](#) category:

Click to view products by [TE Connectivity](#) manufacturer:

Other Similar products are found below :

[5M2920-3CW](#) [60-036152-022](#) [610HS012M15](#) [M28840/504WA](#) [M28840/805WB](#) [M28840/809WA](#) [M28840/815WA](#) [M28840/816WA](#)
[627AS017M14](#) [627MA124M14S](#) [655HS002NF11](#) [CW3899-000](#) [M85049/10-134S](#) [M85049/10-17S](#) [M85049/10-33S](#) [M85049/10-94W](#)
[M85049/11-28N](#) [M85049/11-37N](#) [M85049/11-53N](#) [M85049/11-63N](#) [M85049/120-14W](#) [M85049/124-23W](#) [M85049/1720N04B](#)
[M85049/1821W05C](#) [M85049/1825W06C](#) [M85049/1919N05](#) [M85049/23-74W](#) [M85049/24-71N](#) [M85049/25-47N](#) [M85049/25-94W](#)
[M85049/27S12N](#) [M85049/39-11S](#) [M85049/39-17S](#) [M85049/39-9S](#) [M85049/6-10B](#) [M85049/6-19N](#) [M85049/6-20B](#) [M85049/77-20W04](#)
[M85049/78-11N03](#) [M85049/78-15W02](#) [M85049/78-17N04](#) [M85049/78-19N05](#) [M85049/79-19N07](#) [M85049/79-25N04](#) [M85049/82-18N02](#)
[M85049/82-22P02](#) [M85049/83-10W03](#) [M85049/84-20N03](#) [M85049/8-48N](#) [M85049/85-24N01](#)