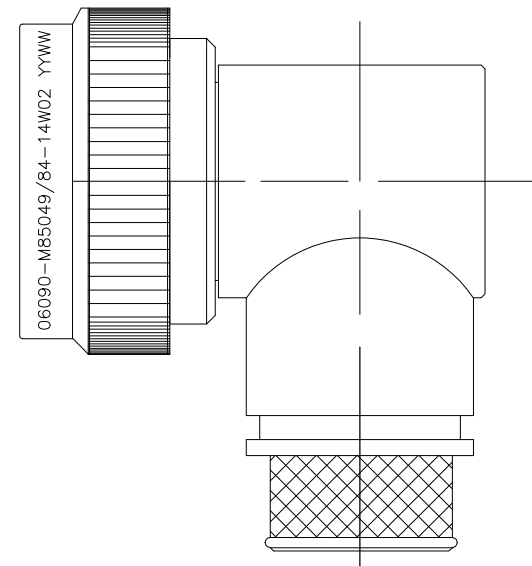


THIS DRAWING IS UNPUBLISHED. RELEASED FOR PUBLICATION  
 © COPYRIGHT - TE Connectivity ALL RIGHTS RESERVED.

REVISIONS					
P	LTR	DESCRIPTION	DATE	DWN	APVD
	C	REV PER ECO 17-004923	5-31-17	CT	EH

1. THIS PRODUCT IS DESIGNED TO TERMINATE A BRAIDED CABLE SHIELD AND A HEAT SHRINKABLE LIPPED BOOT TO A CONNECTOR, AND DESIGNED TO MEET PERFORMANCE REQUIREMENT OF AS85049/84.
2. ALL COMPONENTS SHALL BE PACKAGED AND SUPPLIED IN A PLASTIC BAG AND LABELED WITH M85049/84 DESIGNATION e.g. M85049/84-14W02.
3. PART SUPPLIED WITH STANDARD DETENTED SELF-LOCKING WHICH PROVIDES A POSITIVE AUDIBLE DETENTED COUPLING.
4. THIS ADAPTER MATES TO CONNECTOR SAE-AS50151 CRIMP, MIL-DTL-26482 SERIES 2, SAE-AS81703 SERIES 3, AND MIL-DTL-83723 SERIES III.
5. FOR MATERIAL AND FINISH INFORMATION REFER TO R85049. FOR ALTERNATIVE MATERIALS AND PLATING FINISHES CONTACT TE CONNECTIVITY.



SELF-LOCKING  
 SHIELD BAND TERMINATION  
 SHRINK BOOT ACCOMMODATION 90° ADAPTER

THIS DRAWING IS A CONTROLLED DOCUMENT.		DWN C.C.THOMAS 31MAY2017					
DIMENSIONS: INCHES		CHK E.HALEY 5-31-17					
		APVD E.HALEY 5-31-17	NAME BACKSHELL,90 DEG,SELF LOCKING SHIELD BAND TERMINATION,SHRINK BOOT ACCOMMODATION				
TOLERANCES UNLESS OTHERWISE SPECIFIED:		PRODUCT SPEC -	APPLICATION SPEC -				
MATERIAL -		FINISH -	WEIGHT 0.000000	SIZE A3	CAGE CODE 00779	DRAWING NO C-R85049/84	RESTRICTED TO -
CUSTOMER DRAWING			SCALE NTS	SHEET 1 OF 3	REV C		

THIS DRAWING IS UNPUBLISHED.

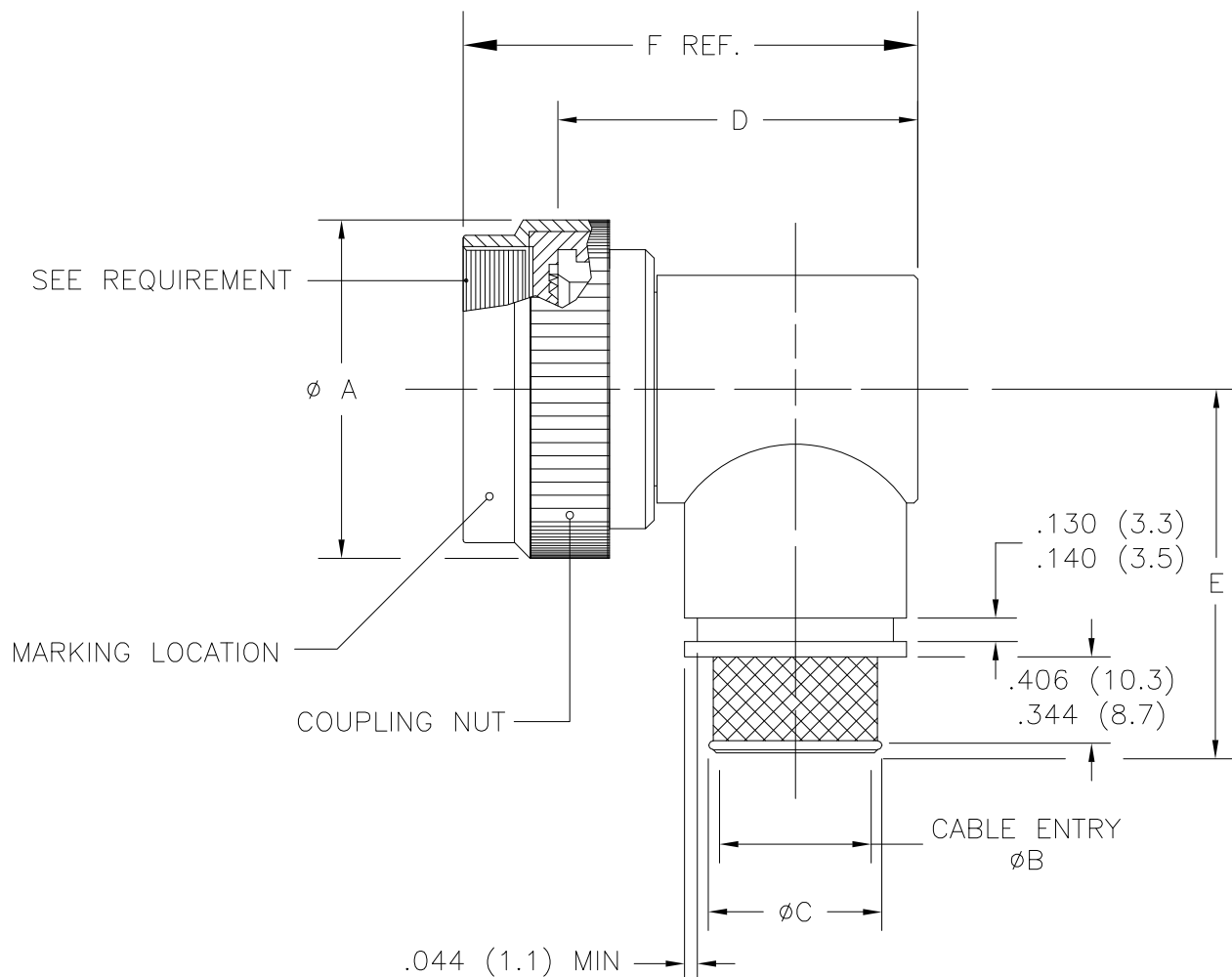
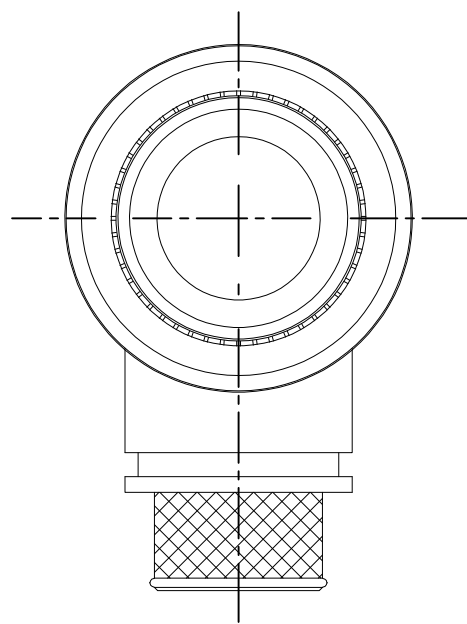
RELEASED FOR PUBLICATION

ALL RIGHTS RESERVED.

© COPYRIGHT - TE Connectivity

REVISIONS

P	LTR	DESCRIPTION	DATE	DWN	APVD
-	-	SEE SHEET 1	-	-	-



PART NUMBERING

R85049/84 - 14 W 02

- SPECIFICATION SHEET \_\_\_\_\_
- CONFIGURATION: \_\_\_\_\_
- (DASH) DETENTED SELF-LOCKING
- ORDER NO. \_\_\_\_\_
- FINISH \_\_\_\_\_
- ENTRY SIZE \_\_\_\_\_

THIS DRAWING IS A CONTROLLED DOCUMENT.

DWN C.C.THOMAS 31MAY2017

CHK E.HALEY 5-31-17

APVD E.HALEY 5-31-17

PRODUCT SPEC

APPLICATION SPEC

WEIGHT 0.000000

CUSTOMER DRAWING



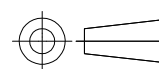
NAME BACKSHELL,90 DEG,SELF LOCKING SHIELD BAND TERMINATION,SHRINK BOOT ACCOMMODATION

SIZE A3 CAGE CODE 00779 DRAWING NO. C-R85049/84 RESTRICTED TO -

SCALE NTS SHEET 2 OF 3 REV C

DIMENSIONS: INCHES

TOLERANCES UNLESS OTHERWISE SPECIFIED:




0 PLC	$\pm$	-
1 PLC	$\pm$	-
2 PLC	$\pm$	-
3 PLC	$\pm$	-
4 PLC	$\pm$	-
ANGLES	$\pm$	-
FINISH	-	-

THIS DRAWING IS UNPUBLISHED. RELEASED FOR PUBLICATION  
 © COPYRIGHT - TE Connectivity ALL RIGHTS RESERVED.

REVISIONS				
P	LTR	DESCRIPTION	DATE	APVD
-	-	SEE SHEET 1	-	-

ORDER NUMBER	FOR CONNECTOR SHELL SIZE (REF)				TABLE I - SHELL SIZE AND DIMENSIONS				
	SAE-AS81703 SERIES 3	MIL-DTL-26482 SERIES 2	SAE-AS50151 CRIMP	MIL-DTL-83723 SERIES III	ØA MAX	ØB ±.010 ENTRY SIZE		ØC REF	
						02	03	02	03
8	--	8	8S	8	.885 (22.48)	N/A	.250 (6.35)	N/A	.395 (10.03)
10	--	10	10S, 10SL	10	1.010 (25.65)	N/A	.312 (7.92)	N/A	.457 (11.61)
12	7	12	12S AND 12	12	1.135 (28.83)	.312 (7.92)	.438 (11.13)	.457 (11.60)	.583 (14.81)
14	12	14	14S AND 14	14	1.260 (32.00)	.438 (11.13)	.562 (14.27)	.583 (14.81)	.707 (17.96)
16	19	16	16S AND 16	16	1.385 (35.18)	.500 (12.70)	.625 (15.88)	.645 (16.38)	.770 (19.56)
18	27	18	18	18	1.510 (38.35)	.625 (15.88)	.750 (19.05)	.770 (19.56)	.895 (22.73)
20	37	20	20	20	1.635 (41.53)	.625 (15.88)	.812 (20.62)	.770 (19.56)	.957 (24.31)
22	--	22	22	22	1.760 (44.70)	.688 (17.48)	.938 (23.83)	.829 (21.06)	1.083 (27.51)
24	--	24	24	24	1.885 (47.88)	.750 (19.05)	1.000 (25.40)	.895 (22.73)	1.145 (29.08)
28	--	--	28	--	2.135 (54.23)	.875 (22.23)	1.125 (28.58)	1.020 (25.91)	1.270 (32.26)

ORDER NUMBER	FOR CONNECTOR SHELL SIZE (REF)				TABLE I - SHELL SIZE AND DIMENSIONS (CONTINUED)		
	SAE-AS81703 SERIES 3	MIL-DTL-26482 SERIES 2	SAE-AS50151 CRIMP	MIL-DTL-83723 SERIES III	D MAX	E MAX	F REF
8	--	8	8S	8	1.19 (30.2)	1.42 (36.1)	1.50 (38.1)
10	--	10	10S, 10SL	10	1.28 (32.5)	1.48 (37.6)	1.59 (40.4)
12	7	12	12S AND 12	12	1.41 (35.8)	1.54 (39.1)	1.72 (43.7)
14	12	14	14S AND 14	14	1.53 (38.9)	1.61 (40.9)	1.84 (46.7)
16	19	16	16S AND 16	16	1.66 (42.2)	1.67 (42.4)	1.97 (50.0)
18	27	18	18	18	1.72 (43.7)	1.73 (43.9)	2.03 (51.6)
20	37	20	20	20	1.84 (46.7)	1.79 (45.5)	2.15 (54.6)
22	--	22	22	22	1.94 (49.3)	1.85 (47.0)	2.25 (57.1)
24	--	24	24	24	2.09 (53.1)	1.92 (48.8)	2.40 (61.0)
28	--	--	28	--	2.53 (64.3)	2.04 (51.8)	3.00 (76.2)

THIS DRAWING IS A CONTROLLED DOCUMENT.		DWN C.C.THOMAS 31MAY2017	<b>STE</b> TE Connectivity				
DIMENSIONS: INCHES		CHK E.HALEY 5-31-17					
		APVD E.HALEY 5-31-17	NAME BACKSHELL,90 DEG,SELF LOCKING SHIELD BAND TERMINATION,SHRINK BOOT ACCOMMODATION				
		PRODUCT SPEC -	APPLICATION SPEC -				
MATERIAL -		FINISH -	WEIGHT 0.000000	SIZE A3	CAGE CODE 00779	DRAWING NO C-R85049/84	RESTRICTED TO -
CUSTOMER DRAWING			SCALE NTS	SHEET 3 OF 3	REV C		

## X-ON Electronics

Largest Supplier of Electrical and Electronic Components

*Click to view similar products for [Circular MIL Spec Backshells](#) category:*

*Click to view products by [TE Connectivity](#) manufacturer:*

Other Similar products are found below :

[60-036152-022](#) [610HS012M15](#) [M28840/504WA](#) [M28840/805WB](#) [M28840/809WA](#) [M28840/815WA](#) [M28840/816WA](#) [627AS017M14](#)  
[627MA124M14S](#) [655HS002NF11](#) [CW3899-000](#) [M85049/10-134S](#) [M85049/10-17S](#) [M85049/10-33S](#) [M85049/10-94W](#) [M85049/11-28N](#)  
[M85049/11-37N](#) [M85049/11-53N](#) [M85049/11-63N](#) [M85049/120-14W](#) [M85049/124-23W](#) [M85049/1720N04B](#) [M85049/1821W05C](#)  
[M85049/1825W06C](#) [M85049/1919N05](#) [M85049/23-74W](#) [M85049/24-71N](#) [M85049/25-47N](#) [M85049/25-94W](#) [M85049/27S12N](#) [M85049/39-](#)  
[11S](#) [M85049/39-17S](#) [M85049/39-9S](#) [M85049/6-10B](#) [M85049/6-19N](#) [M85049/6-20B](#) [M85049/77-20W04](#) [M85049/78-11N03](#) [M85049/78-](#)  
[15W02](#) [M85049/78-17N04](#) [M85049/78-19N05](#) [M85049/79-19N07](#) [M85049/79-25N04](#) [M85049/82-18N02](#) [M85049/82-22P02](#) [M85049/83-](#)  
[10W03](#) [M85049/84-20N03](#) [M85049/8-48N](#) [M85049/85-24N01](#) [M85049/85-24P01](#)