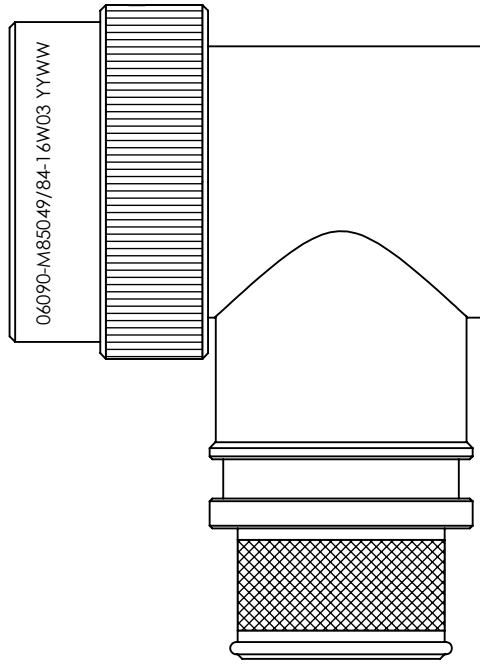


REVISIONS



SELF-LOCKING SHIELD BAND TERMINATION SHRINK BOOT ACCOMMODATION 90° ADAPTOR

1. THIS PRODUCT IS DESIGNED TO TERMINATE A BRAIDED CABLE SHIELD AND A HEAT SHRINKABLE LIPPED BOOT TO A CONNECTOR, AND DESIGNED TO MEET REQUIREMENTS OF AS85049/84.
2. ALL COMPONENTS SHALL BE PACKAGED AND SUPPLIED IN A PLASTIC BAG AND LABELED WITH M85049/84 DESIGNATION. e.g. M85049/84-16W03.
3. THIS ADAPTOR MATES TO CONNECTOR SAE-AS50151 CRIMP, MIL-DTL-26482 SERIES 2, SAE-AS81703 SERIES 3, AND MIL-DTL-83723 SERIES III.
4. PART SUPPLIED WITH STANDARD DETENTED SELF-LOCKING WHICH PROVIDES A POSITIVE AUDIBLE DETENTED COUPLING.
5. CATEGORY 3B - MEDIUM DUTY - NON-ENVIRONMENTAL
6. FOR MATERIALS AND PLATING FINISHES INFORMATION REFER TO R85049. FOR ALTERNATIVE MATERIALS AND PLATING FINISHES CONTACT TE CONNECTIVITY.

RELEASED FOR PUBLICATION

ALL RIGHTS RESERVED.

THIS DRAWING IS UNPUBLISHED.

© COPYRIGHT 20 BY

| | | | | |
|--|-------------------|------------|---|---------------------------|
| DIMENSIONS: INCHES | DWN: N.HAWKINS | 04/06/2019 | MATERIAL: SEE P/N BREAKDOWN | FINISH: SEE P/N BREAKDOWN |
| | CHK: R.STYLES | 14/06/2019 | TE Connectivity | |
| TOLERANCES UNLESS OTHERWISE SPECIFIED: GENERAL TOL LINEAR ±.01" ANGULAR ±1° | APVD: M.PAUL | 27/06/2019 | PART NUMBER: R85049/84 SERIES | |
| | PRODUCT SPEC: | - | NAME: Connector Accessories, Electrical, Backshell, 90 Deg, Self-Locking, Shield Band Termination (RFI/EMI), Shrink Sleeve Accommodation, Category 3B | |
| | APPLICATION SPEC: | - | SIZE | CAGE CODE |
| | WEIGHT: | - | A4 | 06090 |
| CUSTOMER DRAWING | | | DRAWING NO | RESTRICTED TO |
| | | | ©=P45758 | |
| | | | SCALE | SHEET |
| | | | 1.5:1 | 1 OF 2 |
| | | | | REV CA |

REVISIONS

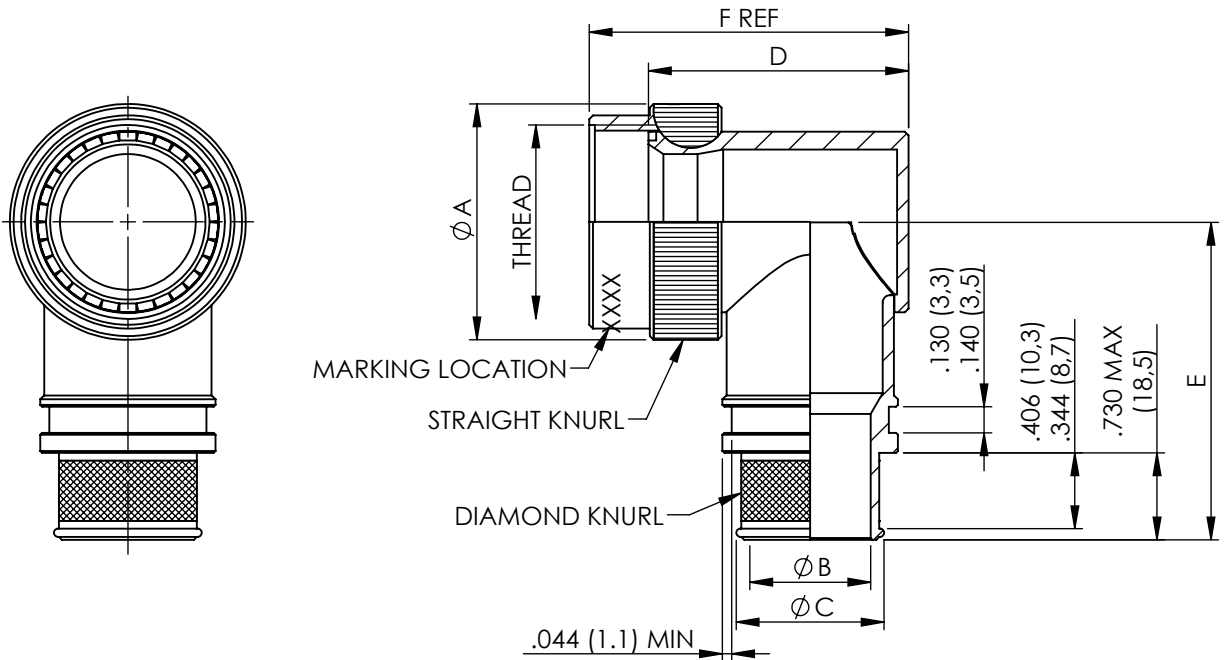


TABLE 1

| ACCESSORY SHELL SIZE | FOR CONNECTOR SHELL SIZE (REF) | | | | THREAD | A MAX DIA | B DIA ±.010 ENTRY SIZE | | C DIA REF | | D MAX | E MAX | F REF |
|----------------------|--------------------------------|------------------------|---------------|--------------------------|----------------|---------------|------------------------|---------------|---------------|---------------|---------------|---------------|---------------|
| | AS81703 SERIES 3 | MIL-DTL-26482 SERIES 2 | AS50151 CRIMP | MIL-DTL-83723 SERIES III | | | 02 | 03 | 02 | 03 | | | |
| 08 | --- | 8 | 8S | 8 | 1/2-20 UNEF | .885 (22,48) | N/A | .250 (6,35) | N/A | .395 (10,03) | 1.188 (30,18) | 1.417 (35,99) | 1.497 (38,02) |
| 10 | --- | 10 | 10S, 10SL | 10 | 5/8-24 UNEF | 1.010 (25,65) | N/A | .312 (7,92) | N/A | .457 (11,61) | 1.281 (32,54) | 1.480 (37,59) | 1.590 (40,39) |
| 12 | 7 | 12 | 12S AND 12 | 12 | 3/4-20 UNEF | 1.135 (28,83) | .312 (7,92) | .438 (11,13) | .457 (11,61) | .583 (14,81) | 1.406 (35,71) | 1.542 (39,17) | 1.715 (43,56) |
| 14 | 12 | 14 | 14S AND 14 | 14 | 7/8-20 UNEF | 1.260 (32,00) | .438 (11,13) | .562 (14,27) | .583 (14,81) | .707 (17,96) | 1.531 (38,89) | 1.605 (40,77) | 1.840 (46,74) |
| 16 | 19 | 16 | 16S AND 16 | 16 | 1-20 UNEF | 1.385 (35,18) | .500 (12,70) | .625 (15,88) | .645 (16,38) | .770 (19,56) | 1.656 (42,06) | 1.667 (42,34) | 1.965 (49,91) |
| 18 | 27 | 18 | 18 | 18 | 1 1/16-18 UNEF | 1.510 (38,35) | .625 (15,88) | .750 (19,05) | .770 (19,56) | .895 (22,73) | 1.718 (43,64) | 1.730 (43,94) | 2.027 (51,49) |
| 20 | 37 | 20 | 20 | 20 | 1 3/16-18 UNEF | 1.635 (41,53) | .625 (15,88) | .812 (20,62) | .770 (19,56) | .957 (24,31) | 1.844 (46,84) | 1.792 (45,52) | 2.153 (54,69) |
| 22 | --- | 22 | 22 | 22 | 1 5/16-18 UNEF | 1.760 (44,70) | .688 (17,48) | .938 (23,83) | .829 (21,06) | 1.08 (27,51) | 1.938 (49,23) | 1.850 (46,99) | 2.247 (57,07) |
| 24 | --- | 24 | 24 | 24 | 1 7/16-18 UNEF | 1.885 (47,88) | .750 (19,05) | 1.000 (25,40) | .895 (22,73) | 1.145 (29,08) | 2.093 (53,16) | 1.917 (48,69) | 2.402 (61,01) |
| 28 | --- | --- | 28 | --- | 1 3/4-18 UNS | 2.135 (54,23) | .875 (22,23) | 1.125 (28,58) | 1.020 (25,91) | 1.270 (32,26) | 2.531 (64,29) | 2.042 (51,87) | 3.002 (76,25) |

METRIC EQUIVALENTS ARE IN PARENTHESIS AND ARE GIVEN FOR GENERAL INFORMATION ONLY

TABLE 2

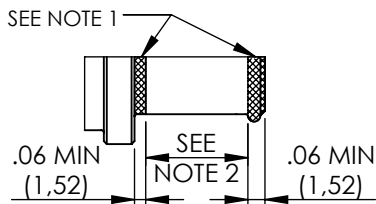
| CODE | FINISH |
|------|---|
| N | ELECTROLESS NICKEL (96HRS SALT SPRAY RESISTANCE) |
| W | CADMIUM OLIVE DRAB OVER ELECTROLESS NICKEL (1000HRS SALT SPRAY RESISTANCE) |
| Z | ZINC NICKEL BLACK PASSIVATE OVER ELECTROLESS NICKEL (1000HRS SALT SPRAY RESISTANCE) |
| P | CADMIUM OLIVE DRAB OVER ELECTROLESS NICKEL (SELECTIVE PLATING) |

NOTES FOR SELECTIVE PLATING: -

1. CADMIUM/NICKEL INTERFACE SHALL BE COATED WITH POLYSULFIDE SEALANT.
2. AREA FREE OF CADMIUM.

R85049/84-16W03

SELECTIVE PLATING



BASIC PART NUMBER _____
 SPECIFICATION SHEET _____
 CONFIGURATION _____
 - (DASH) FOR SELF-LOCKING _____
 CONNECTOR SHELL SIZE (TABLE 1) _____
 FINISH (TABLE 2) _____
 ENTRY SIZE (TABLE 1) _____

RELEASED FOR PUBLICATION

ALL RIGHTS RESERVED.

THIS DRAWING IS UNPUBLISHED.

BY © COPYRIGHT 20

| | | | | | | |
|--|-------------------|------------|---|---------------------------|--------------|------------------|
| DIMENSIONS: INCHES | DWN: N.HAWKINS | 04/06/2019 | MATERIAL: SEE P/N BREAKDOWN | FINISH: SEE P/N BREAKDOWN | | |
| | CHK: R.STYLES | 14/06/2019 | TE Connectivity | | | |
| TOLERANCES UNLESS OTHERWISE SPECIFIED: | APVD: M.PAUL | 27/06/2019 | | | PART NUMBER: | R85049/84 SERIES |
| GENERAL TOL LINEAR ±.01" ANGULAR ±1° | PRODUCT SPEC: | - | NAME: Connector Accessories, Electrical, Backshell, 90 Deg, Self-Locking, Shield Band Termination (RFI/EMI), Shrink Sleeve Accommodation, Category 3B | | | |
| | APPLICATION SPEC: | - | SIZE | CAGE CODE | DRAWING NO | RESTRICTED TO |
| | WEIGHT: | A4 | 06090 | ©=P45758 | | |
| | CUSTOMER DRAWING | SCALE | 1:1 | SHEET | 2 OF 2 | REV |

X-ON Electronics

Largest Supplier of Electrical and Electronic Components

Click to view similar products for [Circular MIL Spec Backshells](#) category:

Click to view products by [TE Connectivity](#) manufacturer:

Other Similar products are found below :

[60-036152-022](#) [610HS012M15](#) [M28840/504WA](#) [M28840/805WB](#) [M28840/809WA](#) [M28840/815WA](#) [M28840/816WA](#) [627AS017M14](#)
[627MA124M14S](#) [655HS002NF11](#) [CW3899-000](#) [M85049/10-134S](#) [M85049/10-17S](#) [M85049/10-33S](#) [M85049/10-94W](#) [M85049/11-28N](#)
[M85049/11-37N](#) [M85049/11-53N](#) [M85049/11-63N](#) [M85049/120-14W](#) [M85049/124-23W](#) [M85049/1720N04B](#) [M85049/1821W05C](#)
[M85049/1825W06C](#) [M85049/1919N05](#) [M85049/23-74W](#) [M85049/24-71N](#) [M85049/25-47N](#) [M85049/25-94W](#) [M85049/27S12N](#) [M85049/39-](#)
[11S](#) [M85049/39-17S](#) [M85049/39-9S](#) [M85049/6-10B](#) [M85049/6-19N](#) [M85049/6-20B](#) [M85049/77-20W04](#) [M85049/78-11N03](#) [M85049/78-](#)
[15W02](#) [M85049/78-17N04](#) [M85049/78-19N05](#) [M85049/79-19N07](#) [M85049/79-25N04](#) [M85049/82-18N02](#) [M85049/82-22P02](#) [M85049/83-](#)
[10W03](#) [M85049/84-20N03](#) [M85049/8-48N](#) [M85049/85-24N01](#) [M85049/85-24P01](#)