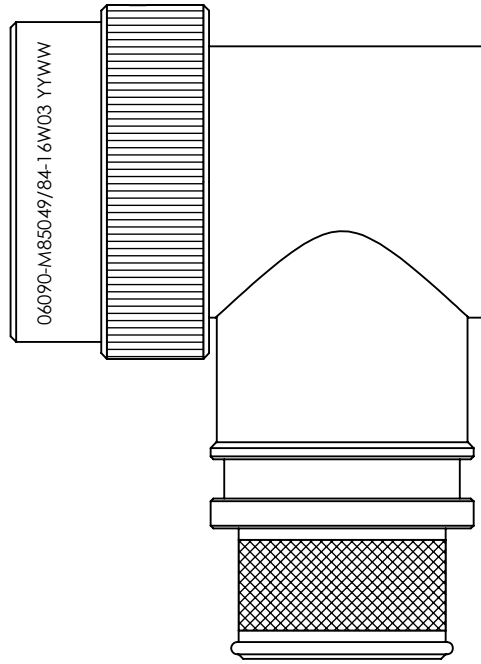


REVISIONS



## SELF-LOCKING SHIELD BAND TERMINATION SHRINK BOOT ACCOMMODATION 90° ADAPTOR

1. THIS PRODUCT IS DESIGNED TO TERMINATE A BRAIDED CABLE SHIELD AND A HEAT SHRINKABLE LIPPED BOOT TO A CONNECTOR, AND DESIGNED TO MEET REQUIREMENTS OF AS85049/84.
2. ALL COMPONENTS SHALL BE PACKAGED AND SUPPLIED IN A PLASTIC BAG AND LABELED WITH M85049/84 DESIGNATION. e.g. M85049/84-16W03.
3. THIS ADAPTOR MATES TO CONNECTOR SAE-AS50151 CRIMP, MIL-DTL-26482 SERIES 2, SAE-AS81703 SERIES 3, AND MIL-DTL-83723 SERIES III.
4. PART SUPPLIED WITH STANDARD DETENTED SELF-LOCKING WHICH PROVIDES A POSITIVE AUDIBLE DETENTED COUPLING.
5. CATEGORY 3B - MEDIUM DUTY - NON-ENVIRONMENTAL
6. FOR MATERIALS AND PLATING FINISHES INFORMATION REFER TO R85049. FOR ALTERNATIVE MATERIALS AND PLATING FINISHES CONTACT TE CONNECTIVITY.

RELEASED FOR PUBLICATION

ALL RIGHTS RESERVED.

THIS DRAWING IS UNPUBLISHED.

© COPYRIGHT 20 BY

|  |                        |   |                               |                           |
|--|------------------------|---|-------------------------------|---------------------------|
| DIMENSIONS:<br>INCHES  | DWN: N.HAWKINS         | 04/06/2019  | MATERIAL: SEE P/N BREAKDOWN   | FINISH: SEE P/N BREAKDOWN |
|  | CHK: R.STYLES          | 14/06/2019  | <b>STE</b> TE Connectivity    |                           |
| TOLERANCES UNLESS OTHERWISE SPECIFIED:<br><br>GENERAL TOL<br>LINEAR ±.01"<br>ANGULAR ±1° | APVD: M.PAUL           | 27/06/2019  | PART NUMBER: R85049/84 SERIES |                           |
|  | PRODUCT SPEC:<br>-     | NAME: Connector Accessories, Electrical, Backshell, 90 Deg, Self-Locking, Shield Band Termination (RFI/EMI), Shrink Sleeve Accommodation, Category 3B |                               |                           |
|  | APPLICATION SPEC:<br>- | SIZE  | CAGE CODE                     | DRAWING NO                |
|  | WEIGHT:                | A4  | 06090                         | ©=P45758                  |
| CUSTOMER DRAWING   |                        |   | RESTRICTED TO                 |                           |
|  |                        |   | SCALE                         | SHEET                     |
|  |                        |   | 1.5:1                         | 1 OF 2                    |
|  |                        |   |                               | REV CA                    |

REVISIONS

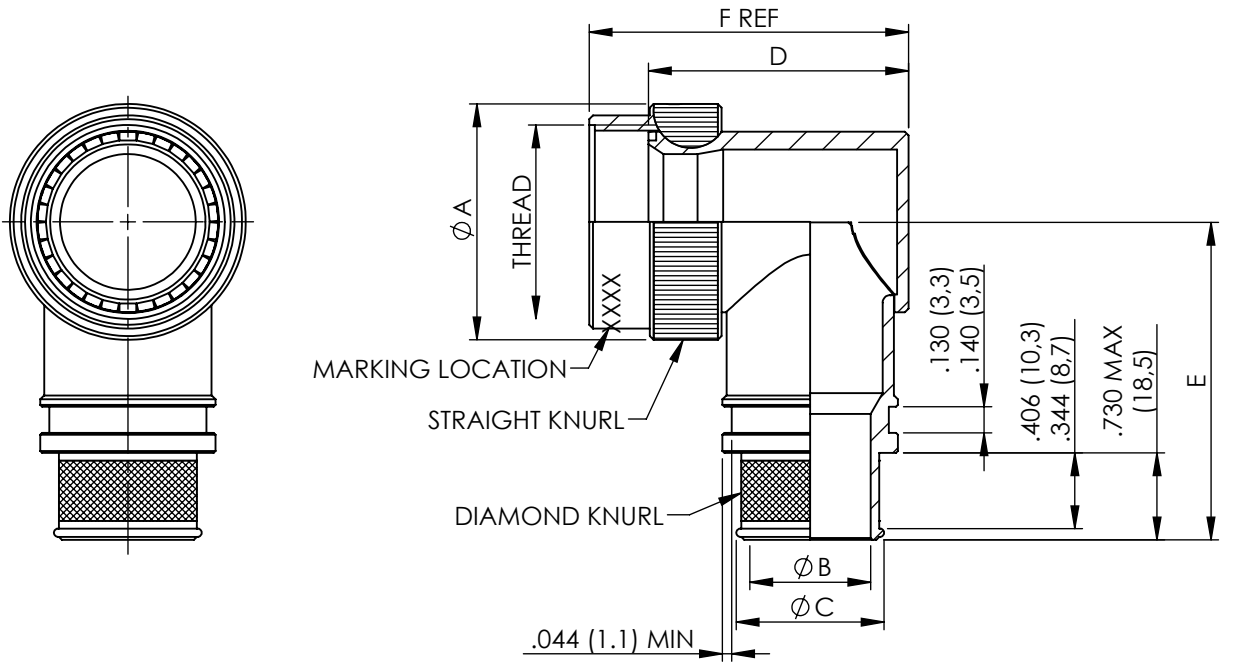


TABLE 1

| ACCESSORY SHELL SIZE | FOR CONNECTOR SHELL SIZE (REF) |                        |               |                          | THREAD         | A MAX DIA     | B DIA ±.010 ENTRY SIZE |               | C DIA REF     |               | D MAX         | E MAX         | F REF         |
|----------------------|--------------------------------|------------------------|---------------|--------------------------|----------------|---------------|------------------------|---------------|---------------|---------------|---------------|---------------|---------------|
|                      | AS81703 SERIES 3               | MIL-DTL-26482 SERIES 2 | AS50151 CRIMP | MIL-DTL-83723 SERIES III |                |               | 02                     | 03            | 02            | 03            |               |               |               |
| 08                   | ---                            | 8                      | 8S            | 8                        | 1/2-20 UNEF    | .885 (22.48)  | N/A                    | .250 (6.35)   | N/A           | .395 (10.03)  | 1.188 (30.18) | 1.417 (35.99) | 1.497 (38.02) |
| 10                   | ---                            | 10                     | 10S, 10SL     | 10                       | 5/8-24 UNEF    | 1.010 (25.65) | N/A                    | .312 (7.92)   | N/A           | .457 (11.61)  | 1.281 (32.54) | 1.480 (37.59) | 1.590 (40.39) |
| 12                   | 7                              | 12                     | 12S AND 12    | 12                       | 3/4-20 UNEF    | 1.135 (28.83) | .312 (7.92)            | .438 (11.13)  | .457 (11.61)  | .583 (14.81)  | 1.406 (35.71) | 1.542 (39.17) | 1.715 (43.56) |
| 14                   | 12                             | 14                     | 14S AND 14    | 14                       | 7/8-20 UNEF    | 1.260 (32.00) | .438 (11.13)           | .562 (14.27)  | .583 (14.81)  | .707 (17.96)  | 1.531 (38.89) | 1.605 (40.77) | 1.840 (46.74) |
| 16                   | 19                             | 16                     | 16S AND 16    | 16                       | 1-20 UNEF      | 1.385 (35.18) | .500 (12.70)           | .625 (15.88)  | .645 (16.38)  | .770 (19.56)  | 1.656 (42.06) | 1.667 (42.34) | 1.965 (49.91) |
| 18                   | 27                             | 18                     | 18            | 18                       | 1 1/16-18 UNEF | 1.510 (38.35) | .625 (15.88)           | .750 (19.05)  | .770 (19.56)  | .895 (22.73)  | 1.718 (43.64) | 1.730 (43.94) | 2.027 (51.49) |
| 20                   | 37                             | 20                     | 20            | 20                       | 1 3/16-18 UNEF | 1.635 (41.53) | .625 (15.88)           | .812 (20.62)  | .770 (19.56)  | .957 (24.31)  | 1.844 (46.84) | 1.792 (45.52) | 2.153 (54.69) |
| 22                   | ---                            | 22                     | 22            | 22                       | 1 5/16-18 UNEF | 1.760 (44.70) | .688 (17.48)           | .938 (23.83)  | .829 (21.06)  | 1.08 (27.51)  | 1.938 (49.23) | 1.850 (46.99) | 2.247 (57.07) |
| 24                   | ---                            | 24                     | 24            | 24                       | 1 7/16-18 UNEF | 1.885 (47.88) | .750 (19.05)           | 1.000 (25.40) | .895 (22.73)  | 1.145 (29.08) | 2.093 (53.16) | 1.917 (48.69) | 2.402 (61.01) |
| 28                   | ---                            | ---                    | 28            | ---                      | 1 3/4-18 UNS   | 2.135 (54.23) | .875 (22.23)           | 1.125 (28.58) | 1.020 (25.91) | 1.270 (32.26) | 2.531 (64.29) | 2.042 (51.87) | 3.002 (76.25) |

METRIC EQUIVALENTS ARE IN PARENTHESIS AND ARE GIVEN FOR GENERAL INFORMATION ONLY

TABLE 2

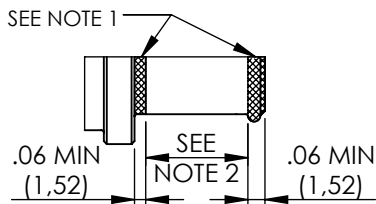
| CODE | FINISH  |
|------|---|
| N    | ELECTROLESS NICKEL (96HRS SALT SPRAY RESISTANCE)                                    |
| W    | CADMIUM OLIVE DRAB OVER ELECTROLESS NICKEL (1000HRS SALT SPRAY RESISTANCE)          |
| Z    | ZINC NICKEL BLACK PASSIVATE OVER ELECTROLESS NICKEL (1000HRS SALT SPRAY RESISTANCE) |
| P    | CADMIUM OLIVE DRAB OVER ELECTROLESS NICKEL (SELECTIVE PLATING)                      |

NOTES FOR SELECTIVE PLATING: -

1. CADMIUM/NICKEL INTERFACE SHALL BE COATED WITH POLYSULFIDE SEALANT.
2. AREA FREE OF CADMIUM.

**R85049/84-16W03**

SELECTIVE PLATING




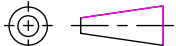
BASIC PART NUMBER \_\_\_\_\_  
 SPECIFICATION SHEET \_\_\_\_\_  
 CONFIGURATION \_\_\_\_\_  
 - (DASH) FOR SELF-LOCKING \_\_\_\_\_  
 CONNECTOR SHELL SIZE (TABLE 1) \_\_\_\_\_  
 FINISH (TABLE 2) \_\_\_\_\_  
 ENTRY SIZE (TABLE 1) \_\_\_\_\_

RELEASED FOR PUBLICATION

ALL RIGHTS RESERVED.

THIS DRAWING IS UNPUBLISHED.

BY COPYRIGHT 20

|   |                   |            |   |                           |              |                  |
|---|-------------------|------------|---|---------------------------|--------------|------------------|
| DIMENSIONS:<br>INCHES   | DWN: N.HAWKINS    | 04/06/2019 | MATERIAL: SEE P/N BREAKDOWN   | FINISH: SEE P/N BREAKDOWN |              |                  |
|   | CHK: R.STYLES     | 14/06/2019 |  TE Connectivity  |                           |              |                  |
| TOLERANCES UNLESS OTHERWISE SPECIFIED:  | APVD: M.PAUL      | 27/06/2019 |   |                           | PART NUMBER: | R85049/84 SERIES |
| GENERAL TOL<br>LINEAR ±.01"<br>ANGULAR ±1°  | PRODUCT SPEC:     | -          | NAME: Connector Accessories, Electrical, Backshell, 90 Deg, Self-Locking, Shield Band Termination (RFI/EMI), Shrink Sleeve Accommodation, Category 3B |                           |              |                  |
|   | APPLICATION SPEC: | -          | SIZE  | CAGE CODE                 | DRAWING NO   | RESTRICTED TO    |
|  | WEIGHT:           | -          | A4  | 06090                     | C=P45758     | -                |
|   | CUSTOMER DRAWING  | SCALE 1:1  |   | SHEET 2 OF 2              | REV CA       | -                |

## X-ON Electronics

Largest Supplier of Electrical and Electronic Components

*Click to view similar products for [Circular MIL Spec Backshells](#) category:*

*Click to view products by [TE Connectivity](#) manufacturer:*

Other Similar products are found below :

[60-036152-022](#) [610HS012M15](#) [M28840/504WA](#) [M28840/805WB](#) [M28840/809WA](#) [M28840/815WA](#) [M28840/816WA](#) [627AS017M14](#)  
[627MA124M14S](#) [655HS002NF11](#) [CW3899-000](#) [M85049/10-134S](#) [M85049/10-17S](#) [M85049/10-33S](#) [M85049/10-94W](#) [M85049/11-28N](#)  
[M85049/11-37N](#) [M85049/11-53N](#) [M85049/11-63N](#) [M85049/120-14W](#) [M85049/124-23W](#) [M85049/1720N04B](#) [M85049/1821W05C](#)  
[M85049/1825W06C](#) [M85049/1919N05](#) [M85049/23-74W](#) [M85049/24-71N](#) [M85049/25-47N](#) [M85049/25-94W](#) [M85049/27S12N](#) [M85049/39-](#)  
[11S](#) [M85049/39-17S](#) [M85049/39-9S](#) [M85049/6-10B](#) [M85049/6-19N](#) [M85049/6-20B](#) [M85049/77-20W04](#) [M85049/78-11N03](#) [M85049/78-](#)  
[15W02](#) [M85049/78-17N04](#) [M85049/78-19N05](#) [M85049/79-19N07](#) [M85049/79-25N04](#) [M85049/82-18N02](#) [M85049/82-22P02](#) [M85049/83-](#)  
[10W03](#) [M85049/84-20N03](#) [M85049/8-48N](#) [M85049/85-24N01](#) [M85049/85-24P01](#)