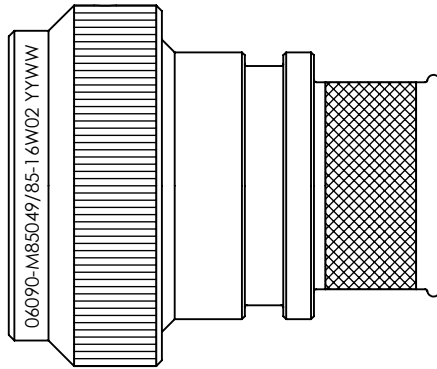


REVISIONS



SELF-LOCKING SHIELD BAND TERMINATION SHRINK BOOT ACCOMMODATION ADAPTOR

1. THIS PRODUCT IS DESIGNED TO TERMINATE A BRAIDED CABLE SHIELD AND A HEAT SHRINKABLE LIPPED BOOT TO A CONNECTOR, AND DESIGNED TO MEET REQUIREMENTS OF AS85049/85.
2. ALL COMPONENTS SHALL BE PACKAGED AND SUPPLIED IN A PLASTIC BAG AND LABELED WITH M85049/85 DESIGNATION. e.g. M85049/85-16W02.
3. THIS ADAPTOR MATES TO CONNECTOR MIL-DTL-38999 SERIES I & II.
4. PART SUPPLIED WITH STANDARD DETENTED SELF-LOCKING WHICH PROVIDES A POSITIVE AUDIBLE DETENTED COUPLING.
5. CATEGORY 3B - MEDIUM DUTY - NON-ENVIRONMENTAL
6. FOR MATERIALS AND PLATING FINISHES INFORMATION REFER TO R85049. FOR ALTERNATIVE MATERIALS AND PLATING FINISHES CONTACT TE CONNECTIVITY.

RELEASED FOR PUBLICATION

ALL RIGHTS RESERVED.

THIS DRAWING IS UNPUBLISHED.

© COPYRIGHT 20 BY

| | | | | |
|--|------------------------|---|-------------------------------|---------------------------|
| DIMENSIONS: INCHES | DWN: N.HAWKINS | 05/06/2019 | MATERIAL: SEE P/N BREAKDOWN | FINISH: SEE P/N BREAKDOWN |
| | CHK: R.STYLES | 14/06/2019 | STE TE Connectivity | |
| TOLERANCES UNLESS OTHERWISE SPECIFIED: GENERAL TOL LINEAR $\pm 0.01"$ ANGULAR $\pm 1^\circ$ | APVD: M.PAUL | 27/06/2019 | PART NUMBER: R85049/85 SERIES | |
| | PRODUCT SPEC: - | NAME: Connector Accessories, Electrical, Backshell, Straight, Self-Locking, Shield Band Termination (RFI/EMI), Shrink Boot Accommodation, Category 3B | | |
| | APPLICATION SPEC: - | SIZE | CAGE CODE | DRAWING NO |
| | WEIGHT: | A4 | 06090 | ©=P29494 |
| CUSTOMER DRAWING | | | SCALE | SHEET |
| | | | 1.5:1 | 1 OF 2 |
| | | | REV | BA |

REVISIONS

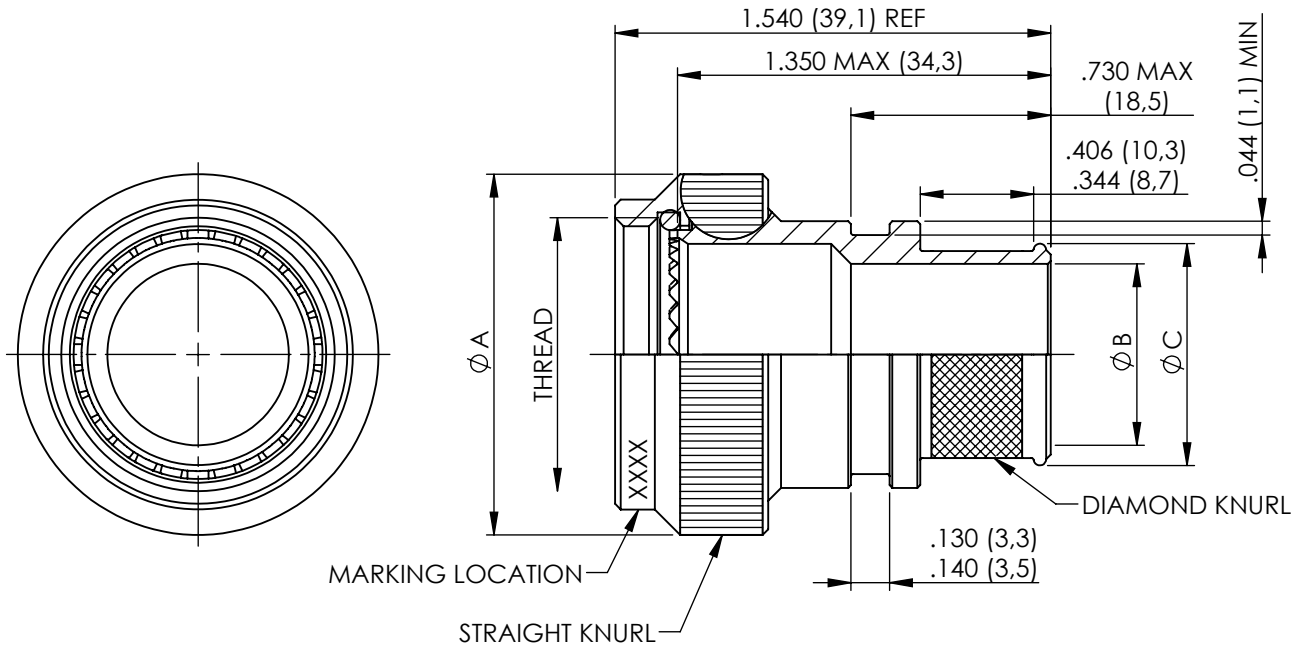


TABLE 1

| ACCESSORY SHELL SIZE | CONNECTOR SHELL SIZE | | THREAD | A MAX DIA | B DIA ±.010 ENTRY SIZE | | C DIA REF | |
|----------------------|----------------------|-----------|----------------|---------------|------------------------|---------------|--------------|---------------|
| | SERIES I | SERIES II | | | 01 | 02 | 01 | 02 |
| 08 | 09 | 8 | 7/16-28 UNEF | .859 (21,82) | N/A | .250 (6,35) | N/A | .395 (10,03) |
| 10 | 11 | 10 | 9/16-24 UNEF | .986 (25,04) | N/A | .312 (7,92) | N/A | .457 (11,61) |
| 12 | 13 | 12 | 11/16-24 UNEF | 1.156 (29,36) | .312 (7,92) | .438 (11,13) | .457 (11,61) | .583 (14,81) |
| 14 | 15 | 14 | 13/16-20 UNEF | 1.281 (32,54) | .438 (11,13) | .562 (14,27) | .583 (14,81) | .707 (17,96) |
| 16 | 17 | 16 | 15/16-20 UNEF | 1.406 (35,71) | .500 (12,70) | .625 (15,88) | .645 (16,38) | .770 (19,56) |
| 18 | 19 | 18 | 1 1/16-18 UNEF | 1.516 (38,51) | .625 (15,88) | .750 (19,05) | .770 (19,56) | .895 (22,73) |
| 20 | 21 | 20 | 1 3/16-18 UNEF | 1.641 (41,68) | .625 (15,88) | .812 (20,62) | .770 (19,56) | .957 (24,31) |
| 22 | 23 | 22 | 1 5/16-18 UNEF | 1.766 (44,86) | .688 (17,48) | .938 (23,83) | .829 (21,06) | 1.083 (27,51) |
| 24 | 25 | 24 | 1 7/16-18 UNEF | 1.891 (48,03) | .750 (19,05) | 1.000 (25,40) | .895 (22,73) | 1.145 (29,08) |

METRIC EQUIVALENTS ARE IN PARENTHESIS AND ARE GIVEN FOR GENERAL INFORMATION ONLY

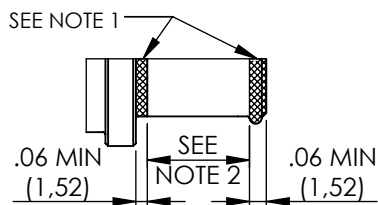
TABLE 2

| CODE | FINISH |
|------|---|
| N | ELECTROLESS NICKEL (96HRS SALT SPRAY RESISTANCE) |
| W | CADMIUM OLIVE DRAB OVER ELECTROLESS NICKEL (1000HRS SALT SPRAY RESISTANCE) |
| Z | ZINC NICKEL BLACK PASSIVATE OVER ELECTROLESS NICKEL (1000HRS SALT SPRAY RESISTANCE) |
| P | CADMIUM OLIVE DRAB OVER ELECTROLESS NICKEL (SELECTIVE PLATING) |

NOTES FOR SELECTIVE PLATING: -

1. CADMIUM/NICKEL INTERFACE SHALL BE COATED WITH POLYSULFIDE SEALANT.
2. AREA FREE OF CADMIUM.

SELECTIVE PLATING



BASIC PART NUMBER
 SPECIFICATION SHEET
 CONFIGURATION
 - (DASH) FOR SELF-LOCKING
 CONNECTOR SHELL SIZE (TABLE 1)
 FINISH (TABLE 2)
 ENTRY SIZE (TABLE 1)

R85049/85-16W02

THIS DRAWING IS UNPUBLISHED. ALL RIGHTS RESERVED. COPYRIGHT 20 BY

| | | | | | | | |
|--|-------------------|------------|---|---------------------------|--------------|------------------|-----|
| DIMENSIONS: INCHES | DWN: N.HAWKINS | 05/06/2019 | MATERIAL: SEE P/N BREAKDOWN | FINISH: SEE P/N BREAKDOWN | | | |
| | CHK: R.STYLES | 14/06/2019 | TE Connectivity | | | | |
| TOLERANCES UNLESS OTHERWISE SPECIFIED: | APVD: M.PAUL | 27/06/2019 | | | PART NUMBER: | R85049/85 SERIES | |
| GENERAL TOL LINEAR ±.01" ANGULAR ±1° | PRODUCT SPEC: | - | NAME: Connector Accessories, Electrical, Backshell, Straight, Self-Locking, Shield Band Termination (RFI/EMI), Shrink Boot Accommodation, Category 3B | | | | |
| | APPLICATION SPEC: | - | SIZE | CAGE CODE | DRAWING NO | RESTRICTED TO | |
| | WEIGHT: | - | A4 | 06090 | ©=P29494 | | |
| | CUSTOMER DRAWING | SCALE | | 1.5:1 | SHEET | 2 OF 2 | REV |

X-ON Electronics

Largest Supplier of Electrical and Electronic Components

Click to view similar products for [Circular MIL Spec Backshells](#) category:

Click to view products by [TE Connectivity](#) manufacturer:

Other Similar products are found below :

[60-036152-022](#) [610HS012M15](#) [M28840/504WA](#) [M28840/805WB](#) [M28840/809WA](#) [M28840/815WA](#) [M28840/816WA](#) [627AS017M14](#)
[627MA124M14S](#) [655HS002NF11](#) [CW3899-000](#) [M85049/10-134S](#) [M85049/10-17S](#) [M85049/10-33S](#) [M85049/10-94W](#) [M85049/11-28N](#)
[M85049/11-37N](#) [M85049/11-53N](#) [M85049/11-63N](#) [M85049/120-14W](#) [M85049/124-23W](#) [M85049/1720N04B](#) [M85049/1821W05C](#)
[M85049/1825W06C](#) [M85049/1919N05](#) [M85049/23-74W](#) [M85049/24-71N](#) [M85049/25-47N](#) [M85049/25-94W](#) [M85049/27S12N](#) [M85049/39-](#)
[11S](#) [M85049/39-17S](#) [M85049/39-9S](#) [M85049/6-10B](#) [M85049/6-19N](#) [M85049/6-20B](#) [M85049/77-20W04](#) [M85049/78-11N03](#) [M85049/78-](#)
[15W02](#) [M85049/78-17N04](#) [M85049/78-19N05](#) [M85049/79-19N07](#) [M85049/79-25N04](#) [M85049/82-18N02](#) [M85049/82-22P02](#) [M85049/83-](#)
[10W03](#) [M85049/84-20N03](#) [M85049/8-48N](#) [M85049/85-24N01](#) [M85049/85-24P01](#)