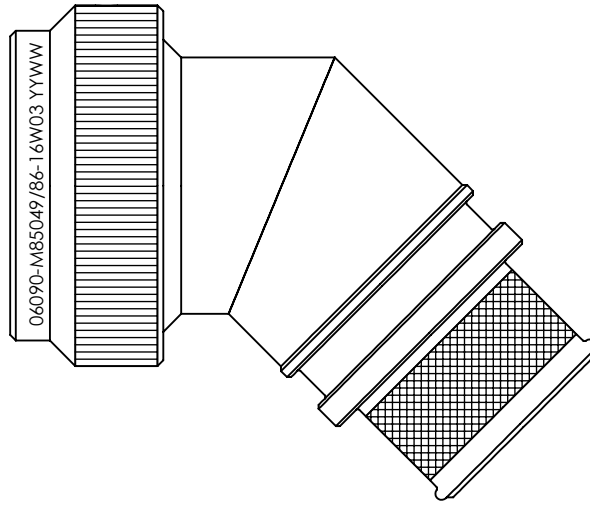


REVISIONS



## SELF-LOCKING SHIELD BAND TERMINATION SHRINK BOOT ACCOMMODATION 45° ADAPTOR

1. THIS PRODUCT IS DESIGNED TO TERMINATE A BRAIDED CABLE SHIELD AND A HEAT SHRINKABLE LIPPED BOOT TO A CONNECTOR, AND DESIGNED TO MEET REQUIREMENTS OF AS85049/86.
2. ALL COMPONENTS SHALL BE PACKAGED AND SUPPLIED IN A PLASTIC BAG AND LABELED WITH M85049/86 DESIGNATION. e.g. M85049/86-16W03.
3. THIS ADAPTOR MATES TO CONNECTOR MIL-DTL-38999 SERIES I & II.
4. PART SUPPLIED WITH STANDARD DETENTED SELF-LOCKING WHICH PROVIDES A POSITIVE AUDIBLE DETENTED COUPLING.
5. CATEGORY 3B - MEDIUM DUTY - NON-ENVIRONMENTAL
6. FOR MATERIALS AND PLATING FINISHES INFORMATION REFER TO R85049.  
FOR ALTERNATIVE MATERIALS AND PLATING FINISHES CONTACT TE CONNECTIVITY.

RELEASED FOR PUBLICATION

ALL RIGHTS RESERVED.

THIS DRAWING IS UNPUBLISHED.

© COPYRIGHT 20 BY

|  |                        |            |   |                           |
|--|------------------------|------------|---|---------------------------|
| DIMENSIONS:<br>INCHES  | DWN: N.HAWKINS         | 06/06/2019 | MATERIAL: SEE P/N BREAKDOWN   | FINISH: SEE P/N BREAKDOWN |
|  | CHK: R.STYLES          | 14/06/2019 | <b>STE</b> TE Connectivity  |                           |
| TOLERANCES UNLESS OTHERWISE SPECIFIED:<br><br>GENERAL TOL<br>LINEAR ±.01"<br>ANGULAR ±1° | APVD: M.PAUL           | 27/06/2019 | PART NUMBER: R85049/86 SERIES   |                           |
|  | PRODUCT SPEC:<br>-     |            | NAME: Connector Accessories, Electrical, Backshell, 45 Deg, Self-Locking, Shield Band Termination (RFI/EMI), Shrink Sleeve Accommodation, Category 3B |                           |
|  | APPLICATION SPEC:<br>- |            | SIZE: A4  | CAGE CODE: 06090          |
|  | WEIGHT:                |            | DRAWING NO: C=P29495  |                           |
|  | CUSTOMER DRAWING       |            | RESTRICTED TO   |                           |
|  |                        |            | SCALE: 1.5:1  | SHEET: 1 OF 2             |
|  |                        |            |   | REV: BA                   |

REVISIONS

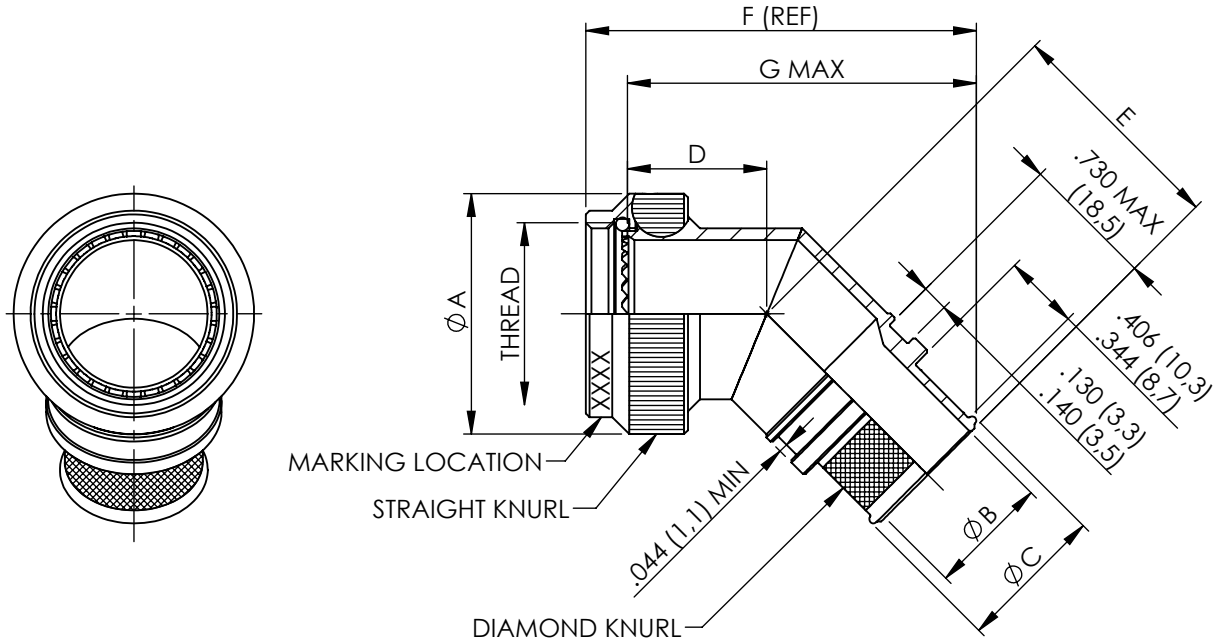


TABLE 1

| ACCESSORY SHELL SIZE | CONNECTOR SHELL SIZE   |                         | THREAD         | A MAX DIA     | B DIA ± 010 ENTRY SIZE |               | C DIA REF    |               | D MAX        | E MAX        | F (REF)       |               | G MAX         |               |
|----------------------|------------------------|-------------------------|----------------|---------------|------------------------|---------------|--------------|---------------|--------------|--------------|---------------|---------------|---------------|---------------|
|                      | MIL-DTL-38999 SERIES I | MIL-DTL-38999 SERIES II |                |               | 02                     | 03            | 02           | 03            |              |              | 02            | 03            | 02            | 03            |
| 08                   | 9                      | 8                       | 7/16-28 UNEF   | .859 (21.82)  | N/A                    | .250 (6.35)   | N/A          | .395 (10.03)  | .87 (22.10)  | 1.16 (29.46) | N/A           | 2.018 (51.26) | N/A           | 1.830 (46.48) |
| 10                   | 11                     | 10                      | 9/16-24 UNEF   | .984 (24.99)  | N/A                    | .312 (7.92)   | N/A          | .457 (11.61)  | .90 (22.86)  | 1.19 (30.23) | N/A           | 2.091 (53.11) | N/A           | 1.903 (48.34) |
| 12                   | 13                     | 12                      | 11/16-24 UNEF  | 1.156 (29.36) | .312 (7.92)            | .438 (11.13)  | .457 (11.61) | .583 (14.81)  | .92 (23.37)  | 1.21 (30.73) | 2.125 (53.98) | 2.170 (55.12) | 1.937 (49.20) | 1.982 (50.34) |
| 14                   | 15                     | 14                      | 13/16-20 UNEF  | 1.281 (32.54) | .438 (11.13)           | .562 (14.27)  | .583 (14.81) | .707 (17.96)  | .95 (24.13)  | 1.24 (31.50) | 2.221 (56.41) | 2.265 (57.53) | 2.033 (51.64) | 2.077 (52.76) |
| 16                   | 17                     | 16                      | 15/16-20 UNEF  | 1.406 (35.71) | .500 (12.70)           | .625 (15.88)  | .645 (16.38) | .770 (19.56)  | .98 (24.89)  | 1.26 (32.00) | 2.287 (58.09) | 2.331 (59.21) | 2.099 (53.31) | 2.143 (54.43) |
| 18                   | 19                     | 18                      | 1 1/16-18 UNEF | 1.516 (38.51) | .625 (15.88)           | .750 (19.05)  | .770 (19.56) | .895 (22.73)  | .98 (24.89)  | 1.27 (32.26) | 2.338 (59.39) | 2.382 (60.50) | 2.150 (54.61) | 2.194 (55.73) |
| 20                   | 21                     | 20                      | 1 3/16-18 UNEF | 1.641 (41.68) | .625 (15.88)           | .812 (20.62)  | .770 (19.56) | .957 (24.31)  | 1.01 (25.65) | 1.30 (33.02) | 2.389 (60.68) | 2.456 (62.38) | 2.201 (55.91) | 2.268 (57.61) |
| 22                   | 23                     | 22                      | 1 5/16-18 UNEF | 1.766 (44.86) | .688 (17.48)           | .938 (23.83)  | .829 (21.06) | 1.083 (27.51) | 1.04 (26.42) | 1.33 (33.78) | 2.462 (62.53) | 2.551 (64.80) | 2.274 (57.76) | 2.363 (60.02) |
| 24                   | 25                     | 24                      | 1 7/16-18 UNEF | 1.891 (48.03) | .750 (19.05)           | 1.000 (25.40) | .895 (22.73) | 1.145 (29.08) | 1.07 (27.18) | 1.35 (34.29) | 2.529 (64.24) | 2.617 (66.47) | 2.341 (59.46) | 2.429 (61.70) |

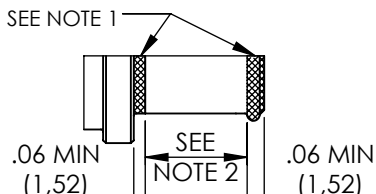
METRIC EQUIVALENTS ARE IN PARENTHESIS AND ARE GIVEN FOR GENERAL INFORMATION ONLY

TABLE 2

| CODE | FINISH  |
|------|---|
| N    | ELECTROLESS NICKEL (96HRS SALT SPRAY RESISTANCE)                                    |
| W    | CADMIUM OLIVE DRAB OVER ELECTROLESS NICKEL (1000HRS SALT SPRAY RESISTANCE)          |
| Z    | ZINC NICKEL BLACK PASSIVATE OVER ELECTROLESS NICKEL (1000HRS SALT SPRAY RESISTANCE) |
| P    | CADMIUM OLIVE DRAB OVER ELECTROLESS NICKEL (SELECTIVE PLATING)                      |

NOTES FOR SELECTIVE PLATING: -  
 1. CADMIUM/NICKEL INTERFACE SHALL BE COATED WITH POLYSULFIDE SEALANT.  
 2. AREA FREE OF CADMIUM.

SELECTIVE PLATING



BASIC PART NUMBER \_\_\_\_\_  
 SPECIFICATION SHEET \_\_\_\_\_  
 CONFIGURATION \_\_\_\_\_  
 - (DASH) FOR SELF-LOCKING \_\_\_\_\_  
 CONNECTOR SHELL SIZE (TABLE 1) \_\_\_\_\_  
 FINISH (TABLE 2) \_\_\_\_\_  
 ENTRY SIZE (TABLE 1) \_\_\_\_\_

R85049/86-16W03

RELEASED FOR PUBLICATION

ALL RIGHTS RESERVED.

THIS DRAWING IS UNPUBLISHED. BY

© COPYRIGHT 20

|  |                   |            |   |                           |              |                  |
|--|-------------------|------------|---|---------------------------|--------------|------------------|
| DIMENSIONS:<br>INCHES                      | DWN: N.HAWKINS    | 06/06/2019 | MATERIAL: SEE P/N BREAKDOWN   | FINISH: SEE P/N BREAKDOWN |              |                  |
|  | CHK: R.STYLES     | 14/06/2019 | TE Connectivity   |                           |              |                  |
| TOLERANCES UNLESS OTHERWISE SPECIFIED:     | APVD: M.PAUL      | 27/06/2019 |   |                           | PART NUMBER: | R85049/86 SERIES |
| GENERAL TOL<br>LINEAR ±.01"<br>ANGULAR ±1° | PRODUCT SPEC:     | -          | NAME: Connector Accessories, Electrical, Backshell, 45 Deg, Self-Locking, Shield Band Termination (RFI/EMI), Shrink Sleeve Accommodation, Category 3B |                           |              |                  |
|  | APPLICATION SPEC: | -          | SIZE  | CAGE CODE                 | DRAWING NO   | RESTRICTED TO    |
|  | WEIGHT:           | A4         | 06090   | ©=P29495                  |              |                  |
|  | CUSTOMER DRAWING  | SCALE      | 1:1   | SHEET                     | 2 OF 2       | REV              |

## X-ON Electronics

Largest Supplier of Electrical and Electronic Components

*Click to view similar products for [Circular MIL Spec Backshells](#) category:*

*Click to view products by [TE Connectivity](#) manufacturer:*

Other Similar products are found below :

[60-036152-022](#) [610HS012M15](#) [M28840/504WA](#) [M28840/805WB](#) [M28840/809WA](#) [M28840/815WA](#) [M28840/816WA](#) [627AS017M14](#)  
[627MA124M14S](#) [655HS002NF11](#) [CW3899-000](#) [M85049/10-134S](#) [M85049/10-17S](#) [M85049/10-33S](#) [M85049/10-94W](#) [M85049/11-28N](#)  
[M85049/11-37N](#) [M85049/11-53N](#) [M85049/11-63N](#) [M85049/120-14W](#) [M85049/124-23W](#) [M85049/1720N04B](#) [M85049/1821W05C](#)  
[M85049/1825W06C](#) [M85049/1919N05](#) [M85049/23-74W](#) [M85049/24-71N](#) [M85049/25-47N](#) [M85049/25-94W](#) [M85049/27S12N](#) [M85049/39-](#)  
[11S](#) [M85049/39-17S](#) [M85049/39-9S](#) [M85049/6-10B](#) [M85049/6-19N](#) [M85049/6-20B](#) [M85049/77-20W04](#) [M85049/78-11N03](#) [M85049/78-](#)  
[15W02](#) [M85049/78-17N04](#) [M85049/78-19N05](#) [M85049/79-19N07](#) [M85049/79-25N04](#) [M85049/82-18N02](#) [M85049/82-22P02](#) [M85049/83-](#)  
[10W03](#) [M85049/84-20N03](#) [M85049/8-48N](#) [M85049/85-24N01](#) [M85049/85-24P01](#)