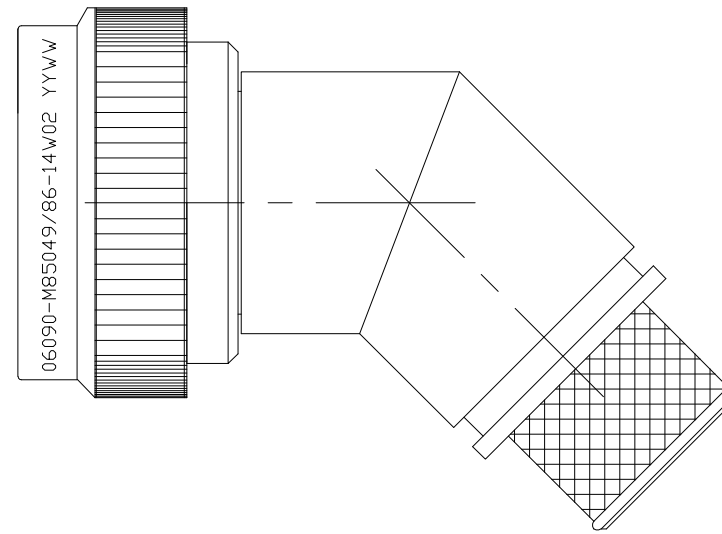


THIS DRAWING IS UNPUBLISHED. RELEASED FOR PUBLICATION  
 © COPYRIGHT - TE Connectivity ALL RIGHTS RESERVED.

REVISIONS					
P	LTR	DESCRIPTION	DATE	DWN	APVD
	C	REV PER ECO 17-004919	6-6-17	CT	EH



SELF-LOCKING  
 SHIELD BAND TERMINATION  
 SHRINK BOOT ACCOMMODATION 45°  
 ADAPTER

1. THIS PRODUCT IS DESIGNED TO TERMINATE A BRAIDED CABLE SHIELD AND A HEAT SHRINKABLE LIPPED BOOT TO A CONNECTOR, AND DESIGNED TO MEET PERFORMANCE REQUIREMENT OF AS85049/86.
2. ALL COMPONENTS SHALL BE PACKAGED AND SUPPLIED IN A PLASTIC BAG AND LABELED WITH M85049/86 DESIGNATION e. g. M85049/86-14W02.
3. PART SUPPLIED WITH STANDARD DETENTED SELF-LOCKING WHICH PROVIDES A POSITIVE AUDIBLE DETENTED COUPLING.
4. THIS ADAPTER MATES TO CONNECTOR MIL-DTL-38999 SERIES I AND MIL-DTL-38999 SERIES II.
5. FOR MATERIAL AND FINISH INFORMATION REFER TO R85049.  
 FOR ALTERNATIVE MATERIALS AND PLATING FINISHES CONTACT TE CONNECTIVITY.

THIS DRAWING IS A CONTROLLED DOCUMENT.		DWN C.C.THOMAS 06JUN2017					
DIMENSIONS: INCHES		CHK E.HALEY 6-6-17					
		APVD E.HALEY 6-6-17	NAME BACKSHELL, 45°, SELF-LOCKING, SHIELD BAND TERMINATION, SHRINK BOOT ADAPTER				
TOLERANCES UNLESS OTHERWISE SPECIFIED:		PRODUCT SPEC -	APPLICATION SPEC -				
MATERIAL -		FINISH -	WEIGHT 0	SIZE A3	CAGE CODE 06090	DRAWING NO C-R85049/86	RESTRICTED TO -
CUSTOMER DRAWING			SCALE NTS	SHEET 1 OF 3	REV C		

THIS DRAWING IS UNPUBLISHED.

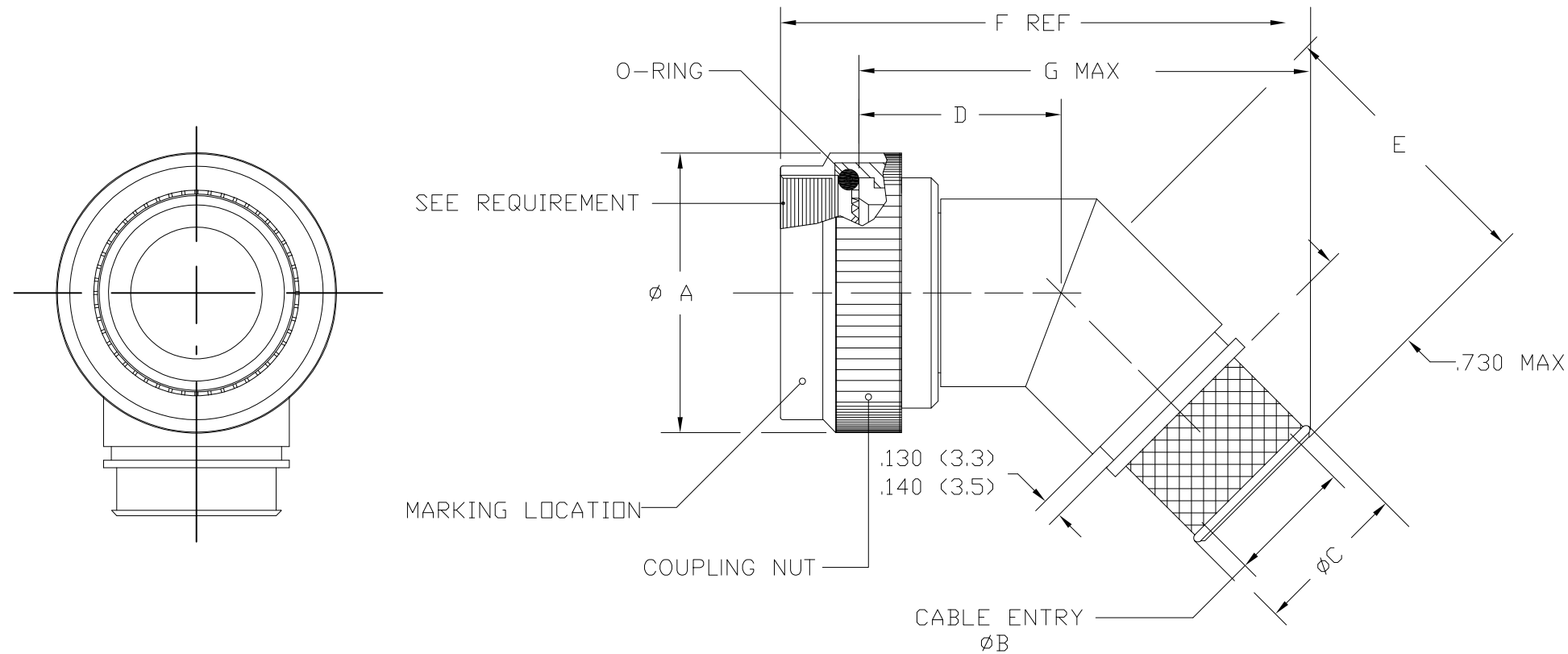
RELEASED FOR PUBLICATION

REVISIONS

© COPYRIGHT - TE Connectivity

ALL RIGHTS RESERVED.

P	LTR	DESCRIPTION	DATE	DWN	APVD
-	-	SEE SHEET 1	-	-	-



PART NUMBERING

R85049/86 - 14 W 02

- SPECIFICATION SHEET
- CONFIGURATION:
  - (DASH) DETENTED SELF-LOCKING
- ORDER NO.
- FINISH
- ENTRY SIZE


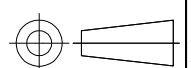
THIS DRAWING IS A CONTROLLED DOCUMENT.		DWN C.C.THOMAS 06JUN2017	<b>TE Connectivity</b>														
DIMENSIONS: INCHES		CHK E.HALEY 6-6-17															
TOLERANCES UNLESS OTHERWISE SPECIFIED:		APVD E.HALEY 6-6-17	NAME BACKSHELL, 45°, SELF-LOCKING, SHIELD BAND TERMINATION, SHRINK BOOT ADAPTER														
<table border="0"> <tr> <td>0 PLC</td><td>± -</td> </tr> <tr> <td>1 PLC</td><td>± -</td> </tr> <tr> <td>2 PLC</td><td>± -</td> </tr> <tr> <td>3 PLC</td><td>± -</td> </tr> <tr> <td>4 PLC</td><td>± -</td> </tr> <tr> <td>ANGLES</td><td>± -</td> </tr> </table>		0 PLC	± -	1 PLC	± -	2 PLC	± -	3 PLC	± -	4 PLC	± -	ANGLES	± -	PRODUCT SPEC -	SIZE A3		
0 PLC	± -																
1 PLC	± -																
2 PLC	± -																
3 PLC	± -																
4 PLC	± -																
ANGLES	± -																
MATERIAL -		FINISH -	APPLICATION SPEC -	CAGE CODE 06090	DRAWING NO C-R85049/86												
CUSTOMER DRAWING			WEIGHT -	RESTRICTED TO -	SCALE NTS												
			SHEET 2 OF 3		REV C												

THIS DRAWING IS UNPUBLISHED. RELEASED FOR PUBLICATION  
 © COPYRIGHT - TE Connectivity ALL RIGHTS RESERVED.

REVISIONS					
P	LTR	DESCRIPTION	DATE	DWN	APVD
-	-	SEE SHEET 1	-	-	-

ORDER NUMBER	CONNECTOR SHELL SIZE		TABLE I - SHELL SIZE AND DIMENSIONS				
			ØA MAX	ØB ±.010 ENTRY SIZE		ØC REF	
	SERIES	SERIES		Ø1	Ø2	Ø1	Ø2
8	9	8	.86 (21.8)	N/A	.25 (6.4)	N/A	.39 (10.0)
10	11	10	.98 (25.0)	N/A	.31 (7.9)	N/A	.46 (11.6)
12	13	12	1.16 (29.4)	.31 (7.9)	.44 (11.1)	.46 (11.6)	.58 (14.8)
14	15	14	1.28 (32.5)	.44 (11.1)	.56 (14.3)	.58 (14.8)	.71 (18.0)
16	17	16	1.41 (35.7)	.50 (12.7)	.63 (15.9)	.65 (16.4)	.77 (19.6)
18	19	18	1.52 (38.5)	.63 (15.9)	.75 (19.1)	.77 (19.6)	.89 (22.7)
20	21	20	1.64 (41.7)	.63 (15.9)	.81 (20.6)	.77 (19.6)	.96 (24.3)
22	23	22	1.77 (44.9)	.69 (17.5)	.94 (23.8)	.83 (21.1)	1.08 (27.5)
24	25	24	1.89 (48.0)	.75 (19.1)	1.00 (25.4)	.89 (22.7)	1.15 (29.1)

ORDER NUMBER	CONNECTOR SHELL SIZE		TABLE I - SHELL SIZE AND DIMENSIONS (CONTINUES)					
			D MAX	E MAX	F (REF)		G MAX	
	SERIES	SERIES			Ø2	Ø3	Ø2	Ø3
8	9	8	.87 (22.1)	1.16 (29.5)	1.88 (47.7)	2.02 (51.3)	1.69 (42.9)	1.83 (46.5)
10	11	10	.90 (22.7)	1.19 (30.2)	1.93 (49.0)	2.09 (53.1)	1.74 (44.2)	1.90 (48.3)
12	13	12	.92 (23.4)	1.21 (30.7)	2.13 (54.1)	2.17 (55.1)	1.94 (49.3)	1.98 (50.3)
14	15	14	.95 (24.1)	1.24 (31.5)	2.22 (56.4)	2.27 (57.6)	2.03 (51.6)	2.08 (52.8)
16	17	16	.98 (24.9)	1.26 (32.0)	2.29 (58.2)	2.33 (59.2)	2.10 (53.3)	2.14 (54.4)
18	19	18	.98 (24.9)	1.27 (32.3)	2.34 (59.4)	2.38 (60.5)	2.15 (54.6)	2.19 (55.6)
20	21	20	1.01 (25.6)	1.30 (33.0)	2.39 (60.7)	2.46 (62.5)	2.20 (55.9)	2.27 (57.7)
22	23	22	1.04 (26.4)	1.33 (33.8)	2.46 (62.5)	2.55 (64.8)	2.28 (57.9)	2.36 (59.9)
24	25	24	1.07 (27.2)	1.35 (34.3)	2.53 (64.3)	2.62 (66.5)	2.34 (59.4)	2.43 (61.7)

THIS DRAWING IS A CONTROLLED DOCUMENT.		DWN C.C.THOMAS 06JUN2017	 TE Connectivity		
DIMENSIONS: INCHES		CHK E.HALEY 6-6-17			
		APVD E.HALEY 6-6-17	NAME BACKSHELL, 45°, SELF-LOCKING, SHIELD BAND TERMINATION, SHRINK BOOT ADAPTER		
TOLERANCES UNLESS OTHERWISE SPECIFIED:		PRODUCT SPEC	SIZE		
0 PLC ± -		APPLICATION SPEC	CAGE CODE		
1 PLC ± -		WEIGHT	DRAWING NO		
2 PLC ± -			RESTRICTED TO		
3 PLC ± -			A3 06090		
4 PLC ± -			C-R85049/86		
ANGLES ± -			SCALE NTS		
MATERIAL			SHEET 3 OF 3		
FINISH			REV C		
			CUSTOMER DRAWING		

## X-ON Electronics

Largest Supplier of Electrical and Electronic Components

*Click to view similar products for [Circular MIL Spec Backshells](#) category:*

*Click to view products by [TE Connectivity](#) manufacturer:*

Other Similar products are found below :

[60-036152-022](#) [610HS012M15](#) [M28840/504WA](#) [M28840/805WB](#) [M28840/809WA](#) [M28840/815WA](#) [M28840/816WA](#) [627AS017M14](#)  
[627MA124M14S](#) [655HS002NF11](#) [CW3899-000](#) [M85049/10-134S](#) [M85049/10-17S](#) [M85049/10-33S](#) [M85049/10-94W](#) [M85049/11-28N](#)  
[M85049/11-37N](#) [M85049/11-53N](#) [M85049/11-63N](#) [M85049/120-14W](#) [M85049/124-23W](#) [M85049/1720N04B](#) [M85049/1821W05C](#)  
[M85049/1825W06C](#) [M85049/1919N05](#) [M85049/23-74W](#) [M85049/24-71N](#) [M85049/25-47N](#) [M85049/25-94W](#) [M85049/27S12N](#) [M85049/39-](#)  
[11S](#) [M85049/39-17S](#) [M85049/39-9S](#) [M85049/6-10B](#) [M85049/6-19N](#) [M85049/6-20B](#) [M85049/77-20W04](#) [M85049/78-11N03](#) [M85049/78-](#)  
[15W02](#) [M85049/78-17N04](#) [M85049/78-19N05](#) [M85049/79-19N07](#) [M85049/79-25N04](#) [M85049/82-18N02](#) [M85049/82-22P02](#) [M85049/83-](#)  
[10W03](#) [M85049/84-20N03](#) [M85049/8-48N](#) [M85049/85-24N01](#) [M85049/85-24P01](#)