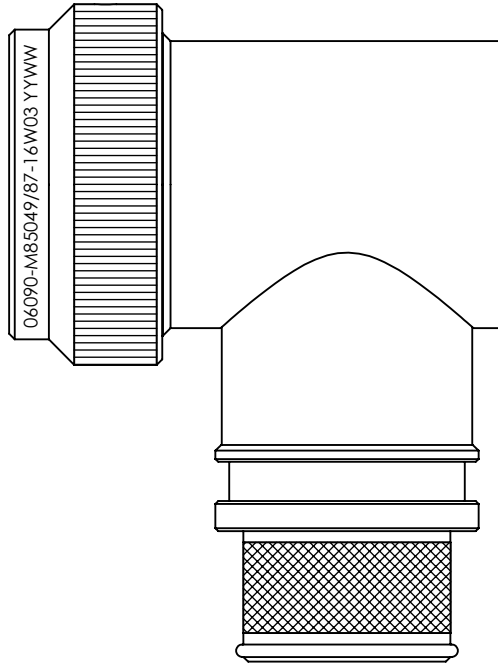


REVISIONS



## SELF-LOCKING SHIELD BAND TERMINATION SHRINK BOOT ACCOMMODATION 90° ADAPTOR

1. THIS PRODUCT IS DESIGNED TO TERMINATE A BRAIDED CABLE SHIELD AND A HEAT SHRINKABLE LIPPED BOOT TO A CONNECTOR, AND DESIGNED TO MEET REQUIREMENTS OF AS85049/87.
2. ALL COMPONENTS SHALL BE PACKAGED AND SUPPLIED IN A PLASTIC BAG AND LABELED WITH M85049/87 DESIGNATION. e.g. M85049/87-16W03.
3. THIS ADAPTOR MATES TO CONNECTOR MIL-DTL-38999 SERIES I & II.
4. PART SUPPLIED WITH STANDARD DETENTED SELF-LOCKING WHICH PROVIDES A POSITIVE AUDIBLE DETENTED COUPLING.
5. CATEGORY 3B - MEDIUM DUTY - NON-ENVIRONMENTAL
6. FOR MATERIALS AND PLATING FINISHES INFORMATION REFER TO R85049.  
FOR ALTERNATIVE MATERIALS AND PLATING FINISHES CONTACT TE CONNECTIVITY.

RELEASED FOR PUBLICATION

ALL RIGHTS RESERVED.

THIS DRAWING IS UNPUBLISHED.

© COPYRIGHT 20 BY

|  |                   |            |   |                           |            |               |
|--|-------------------|------------|---|---------------------------|------------|---------------|
| DIMENSIONS:<br>INCHES  | DWN: N.HAWKINS    | 06/06/2019 | MATERIAL: SEE P/N BREAKDOWN   | FINISH: SEE P/N BREAKDOWN |            |               |
|  | CHK: R.STYLES     | 14/06/2019 | <b>STE</b> TE Connectivity  |                           |            |               |
| TOLERANCES UNLESS OTHERWISE SPECIFIED:<br><br>GENERAL TOL<br>LINEAR ±.01"<br>ANGULAR ±1° | APVD: M.PAUL      | 27/06/2019 | PART NUMBER:<br>R85049/87 SERIES  |                           |            |               |
|  | PRODUCT SPEC:     | -          | NAME: Connector Accessories, Electrical, Backshell, 90 Deg, Self-Locking, Shield Band Termination (RFI/EMI), Shrink Sleeve Accommodation, Category 3B |                           |            |               |
|  | APPLICATION SPEC: | -          |   |                           |            |               |
|  | WEIGHT:           | -          | SIZE  | CAGE CODE                 | DRAWING NO | RESTRICTED TO |
|  | CUSTOMER DRAWING  |            | A4  | 06090                     | Ⓒ=P45765   |               |
|  |                   |            | SCALE   | SHEET                     | REV        |               |
|  |                   |            | 1.5:1   | 1                         | 2          | BA            |

REVISIONS

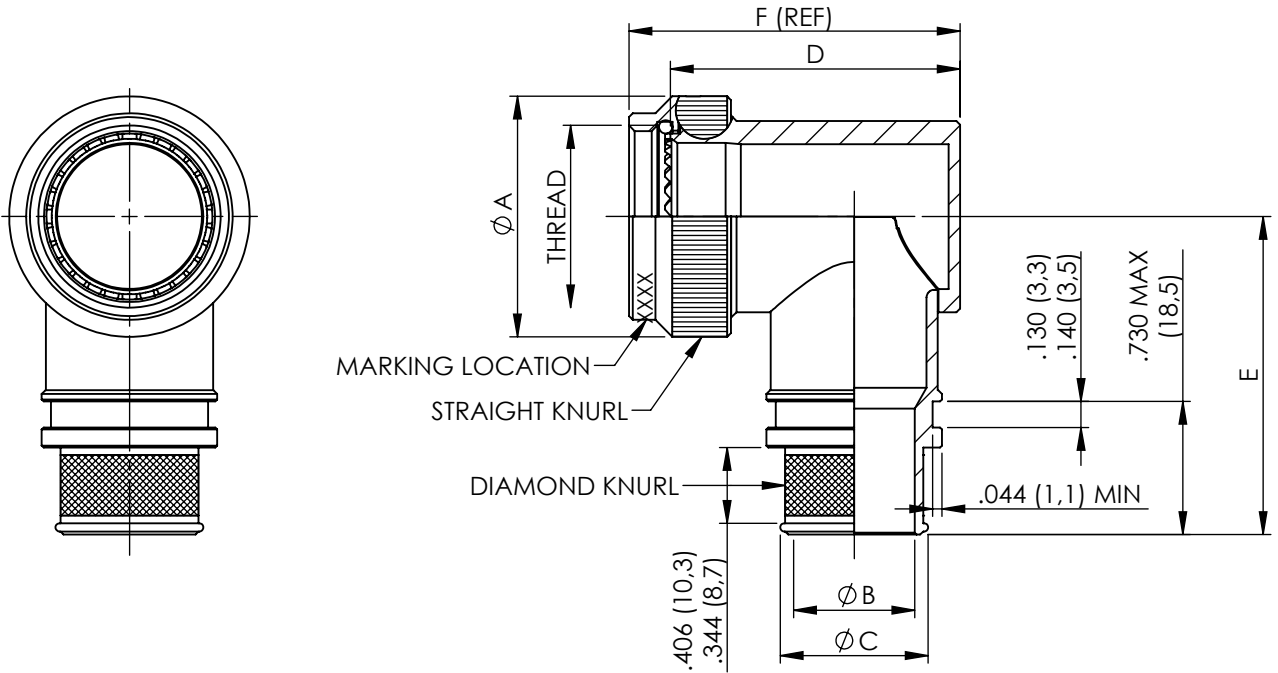


TABLE 1

| ACCESSORY SHELL SIZE | CONNECTOR SHELL SIZE   |                         | THREAD         | A MAX DIA     | B DIA ±.010 ENTRY SIZE |               | C DIA REF    |               | D MAX        | E MAX        | F REF        |
|----------------------|------------------------|-------------------------|----------------|---------------|------------------------|---------------|--------------|---------------|--------------|--------------|--------------|
|                      | MIL-DTL-38999 SERIES I | MIL-DTL-38999 SERIES II |                |               | 02                     | 03            | 02           | 03            |              |              |              |
| 08                   | 9                      | 8                       | 7/16-28 UNEF   | .859 (21,82)  | N/A                    | .250 (6,35)   | N/A          | .395 (10,03)  | 1.375 (34,9) | 1.417 (36,0) | 1.563 (39,7) |
| 10                   | 11                     | 10                      | 9/16-24 UNEF   | .986 (25,04)  | N/A                    | .312 (7,92)   | N/A          | .457 (11,61)  | 1.437 (36,5) | 1.480 (37,6) | 1.625 (41,3) |
| 12                   | 13                     | 12                      | 11/16-24 UNEF  | 1.156 (29,36) | .312 (7,92)            | .438 (11,13)  | .457 (11,61) | .583 (14,81)  | 1.562 (39,7) | 1.553 (39,4) | 1.750 (44,5) |
| 14                   | 15                     | 14                      | 13/16-20 UNEF  | 1.281 (32,54) | .438 (11,13)           | .562 (14,27)  | .583 (14,81) | .707 (17,96)  | 1.687 (42,8) | 1.614 (41,0) | 1.875 (47,6) |
| 16                   | 17                     | 16                      | 15/16-20 UNEF  | 1.406 (35,71) | .500 (12,70)           | .625 (15,88)  | .645 (16,38) | .770 (19,56)  | 1.750 (44,5) | 1.678 (42,6) | 1.938 (49,2) |
| 18                   | 19                     | 18                      | 1 1/16-18 UNEF | 1.516 (38,51) | .625 (15,88)           | .750 (19,05)  | .770 (19,56) | .895 (22,73)  | 1.875 (47,6) | 1.733 (44,0) | 2.063 (52,4) |
| 20                   | 21                     | 20                      | 1 3/16-18 UNEF | 1.641 (41,68) | .625 (15,88)           | .812 (20,62)  | .770 (19,56) | .957 (24,31)  | 1.938 (49,2) | 1.796 (45,6) | 2.126 (54,0) |
| 22                   | 23                     | 22                      | 1 5/16-18 UNEF | 1.766 (44,86) | .688 (17,48)           | .938 (23,83)  | .829 (21,06) | 1.083 (27,51) | 2.062 (52,4) | 1.859 (47,2) | 2.250 (57,2) |
| 24                   | 25                     | 24                      | 1 7/16-18 UNEF | 1.891 (48,03) | .750 (19,05)           | 1.000 (25,40) | .895 (22,73) | 1.145 (29,08) | 2.125 (54,0) | 1.919 (48,7) | 2.313 (58,8) |

METRIC EQUIVALENTS ARE IN PARENTHESIS AND ARE GIVEN FOR GENERAL INFORMATION ONLY

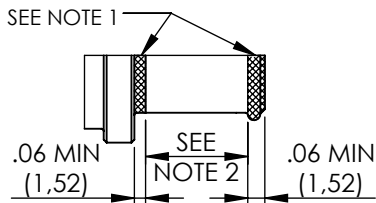
TABLE 2

| CODE | FINISH  |
|------|---|
| N    | ELECTROLESS NICKEL (96HRS SALT SPRAY RESISTANCE)                                    |
| W    | CADMIUM OLIVE DRAB OVER ELECTROLESS NICKEL (1000HRS SALT SPRAY RESISTANCE)          |
| Z    | ZINC NICKEL BLACK PASSIVATE OVER ELECTROLESS NICKEL (1000HRS SALT SPRAY RESISTANCE) |
| P    | CADMIUM OLIVE DRAB OVER ELECTROLESS NICKEL (SELECTIVE PLATING)                      |

NOTES FOR SELECTIVE PLATING: -

1. CADMIUM/NICKEL INTERFACE SHALL BE COATED WITH POLYSULFIDE SEALANT.
2. AREA FREE OF CADMIUM.

SELECTIVE PLATING



BASIC PART NUMBER \_\_\_\_\_  
 SPECIFICATION SHEET \_\_\_\_\_  
 CONFIGURATION \_\_\_\_\_  
 - (DASH) FOR SELF-LOCKING \_\_\_\_\_  
 CONNECTOR SHELL SIZE (TABLE 1) \_\_\_\_\_  
 FINISH (TABLE 2) \_\_\_\_\_  
 ENTRY SIZE (TABLE 1) \_\_\_\_\_


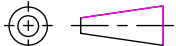
R85049/87-16W03

RELEASED FOR PUBLICATION

ALL RIGHTS RESERVED.

THIS DRAWING IS UNPUBLISHED.

© COPYRIGHT 20 BY

|   |                   |            |   |                           |              |                  |     |
|---|-------------------|------------|---|---------------------------|--------------|------------------|-----|
| DIMENSIONS:<br>INCHES   | DWN: N.HAWKINS    | 06/06/2019 | MATERIAL: SEE P/N BREAKDOWN   | FINISH: SEE P/N BREAKDOWN |              |                  |     |
|   | CHK: R.STYLES     | 14/06/2019 |  TE Connectivity  |                           |              |                  |     |
| TOLERANCES UNLESS OTHERWISE SPECIFIED:  | APVD: M.PAUL      | 27/06/2019 |   |                           | PART NUMBER: | R85049/87 SERIES |     |
| GENERAL TOL<br>LINEAR ±.01"<br>ANGULAR ±1°  | PRODUCT SPEC:     | -          | NAME: Connector Accessories, Electrical, Backshell, 90 Deg, Self-Locking, Shield Band Termination (RFI/EMI), Shrink Sleeve Accommodation, Category 3B |                           |              |                  |     |
|   | APPLICATION SPEC: | -          | SIZE  | CAGE CODE                 | DRAWING NO   | RESTRICTED TO    |     |
|  | WEIGHT:           | -          | A4  | 06090                     | ©=P45765     | -                |     |
|   | CUSTOMER DRAWING  | -          | SCALE   | 1:1                       | SHEET        | 2 OF 2           | REV |

## X-ON Electronics

Largest Supplier of Electrical and Electronic Components

*Click to view similar products for [Circular MIL Spec Backshells](#) category:*

*Click to view products by [TE Connectivity](#) manufacturer:*

Other Similar products are found below :

[5M2920-3CW](#) [60-036152-022](#) [610HS012M15](#) [M28840/504WA](#) [M28840/805WB](#) [M28840/809WA](#) [M28840/815WA](#) [M28840/816WA](#)  
[627AS017M14](#) [627MA124M14S](#) [655HS002NF11](#) [CW3899-000](#) [M85049/10-134S](#) [M85049/10-17S](#) [M85049/10-33S](#) [M85049/10-94W](#)  
[M85049/11-28N](#) [M85049/11-37N](#) [M85049/11-53N](#) [M85049/11-63N](#) [M85049/120-14W](#) [M85049/124-23W](#) [M85049/1720N04B](#)  
[M85049/1821W05C](#) [M85049/1825W06C](#) [M85049/1919N05](#) [M85049/23-74W](#) [M85049/24-71N](#) [M85049/25-47N](#) [M85049/25-94W](#)  
[M85049/27S12N](#) [M85049/39-11S](#) [M85049/39-17S](#) [M85049/39-9S](#) [M85049/6-10B](#) [M85049/6-19N](#) [M85049/6-20B](#) [M85049/77-20W04](#)  
[M85049/78-11N03](#) [M85049/78-15W02](#) [M85049/78-17N04](#) [M85049/78-19N05](#) [M85049/79-19N07](#) [M85049/79-25N04](#) [M85049/82-18N02](#)  
[M85049/82-22P02](#) [M85049/83-10W03](#) [M85049/84-20N03](#) [M85049/8-48N](#) [M85049/85-24N01](#)