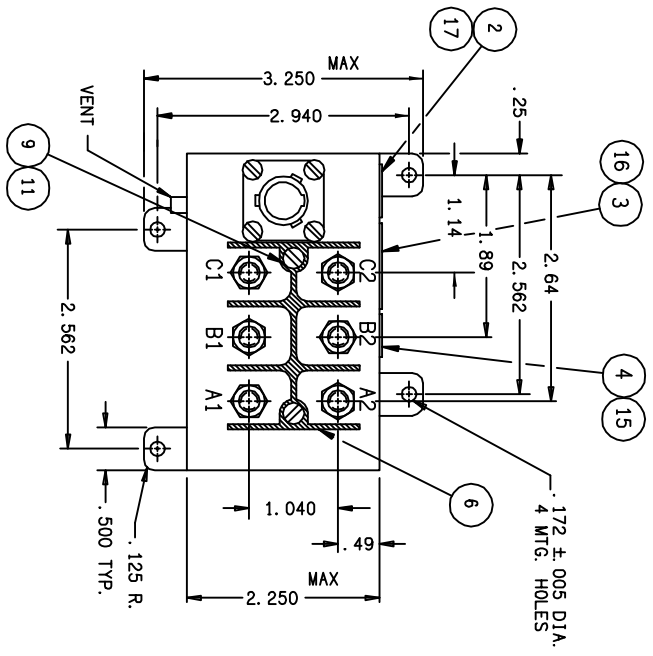
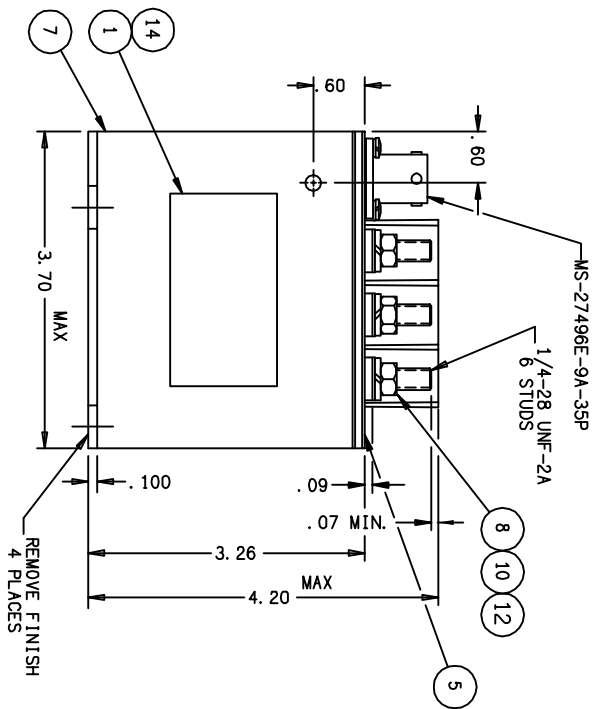


REV.	DESCRIPTION	RELEASED DATE	APPROVED
A	UPDATED DRAWING	97/04/10	RS
B	RELEASED TO PRODUCTION	97/05/20	RS
C	VIBRATION WAS SINE. LIFE AT RATED LOAD ADDED. REF. GRUWMAN ADDED	97/08/22	RS
D	TRIP PTS. 60 AMP WAS 75.300 AMP WAS 250.4.0-6.0 WAS 1.2-2.0.2.0-3.0 WAS 0.34-0.65	98/03/16	RS
E	08-07-1322 3.26 DIM. WAS 3.23	08/10/13	CB



NOTE: FOR PROPER OPERATION, PIN A REQUIRES 18 TO 28 VDC



**CONSTRUCTION**  
MAIN CONTACTS  
CONFIGURATION  
VOLTAGE (NOM.)  
CURRENT RES.  
MOTOR  
OPERATE 115V;  
CLOSING  
OPENING  
BREAKING  
RIPUPURE  
AUXILIARY CONTACTS  
CONFIGURATION  
CURRENT: RES.  
IND.

**COIL DATA**  
DUTY CYCLE  
MIN. OPER. VOLTAGE  
MAX. OPER. VOLTAGE  
RESISTANCE

**ENVIRONMENTAL DATA**  
OPERATING TEMP.  
VIBRATION: RANDOM  
SHOCK  
ALTITUDE  
LIFE MECHANICAL  
LIFE AT RATED LOAD  
WEIGHT MAX.

**GASKET SEALED (VENTED)**  
3PST SIDE STABLE  
115/208 VAC 400 - 610 HZ  
50 AMP 50,000 CYCLES  
50 AMP 50,000 CYCLES  
500 AMP

35 MS MAX. OVERRIDE AT 28 VDC  
25 MS MAX. OVERRIDE AT 115 VDC  
3 MS MAX.

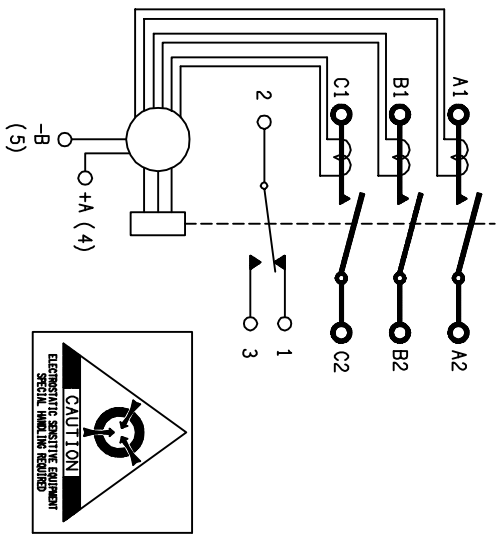
SPDT  
28 VDC 115 VAC 400 - 610 HZ  
5 AMP  
3 AMP

**CONTINUOUS ECONOMIZED**  
18VDC AT 85°C  
32 VDC  
PICKUP - 5.7 OHMS ± 10%  
HOLD - 72.0 OHMS ± 10%

-55°C TO +85°C  
PER GR835AAU  
50g MAX, 10-12 MS SAWTOOTH  
60,000 FT. MAX  
100,000 CYCLES MIN.  
50,000 CYCLES MIN.  
1.55 LBS.

**TRIP POINTS**  
TRIP TIME (SECONDS)  
8.0 TO 10.0  
4.0 TO 6.0  
2.0 TO 3.0  
0.07 TO 0.20

**CURRENT ±10%**  
60 AMP  
150 AMP  
300 AMP  
500 AMP



REV.	QTY	PART OR IDENTIFYING NO	NOMENCLATURE OR DESCRIPTION	FCSM NO	DRAWING OR SPECIFICATION	MATERIAL OR NOTE
17	1	39529-024	OVERLAY			
16	1	39529-009	OVERLAY			
15	1	39529-007	OVERLAY			
14	1	39529-001	OVERLAY			
13						
12	6	51807-034	WASHER - LOCK, NO. 1/4, SPLIT			BRONZE
11	2	51804-010	WASHER - LOCK, NO. 4, SPLIT			BRONZE
10	6	51703-064	WASHER - FLAT 1/2 X 17/64 X .032			BRASS
9	2	51204-960	SCREW 4-40 X 7/8 RD. HD.			BRASS
8	6	50407-074	NUT 1-4-28 X 3/8 X 3/16 HEX			BRASS
7	1	43154-050	CONTRACTOR ASSEMBLY - PRI.			
6	1	42726-001	SHIELD - TERMINAL			
5	1	42912-001	PLATE - BASE COVER			
4	1	41211-001	PLATE - WARNING			
3	1	42913-002	PLATE - WARNING DIAGRAM			
2	1	25695-001	PLATE - WARNING			
1	1	16043-001	PLATE - NAME			

**GRUWMAN**  
GR835 AAU

UNLESS OTHERWISE SPECIFIED  
DIMENSIONS ARE IN INCHES  
TOLERANCES IN

2 PL. DEC. 3 PL. DEC. ANGLES  
±.06 ±.010 ±1°

SCALE NONE SHEET

DR BY EAD 97/05/20  
CHK BY RS 97/05/20  
ENGR EAD 97/05/21  
MFG JH 97/05/21

SIZE CODE IDENT  
C 74063

**Tyco Electronics**  
175 N. DIAMOND STREET WASHINGTON, OHIO 44002

REMOTE POWER CONTROLLER  
115/208 VAC 3PST 50 AMP 093

DWG NO. RA-3100L

REF TE P/N 1616133-4

## X-ON Electronics

Largest Supplier of Electrical and Electronic Components

*Click to view similar products for [General Purpose Relays](#) category:*

*Click to view products by [TE Connectivity](#) manufacturer:*

Other Similar products are found below :

[JVN1AF-4.5V-F](#) [PCN-105D3MHZ](#) [5JO-10000S-SIL](#) [5JO-1000CD-SIL](#) [5JO-400CD-SIL](#) [LY2S-AC220/240](#) [LYQ20DC12](#) [6031007G](#)  
[6131406HQ](#) [6-1393099-8](#) [6-1393122-4](#) [6-1393123-2](#) [6-1393767-1](#) [6-1393843-7](#) [6-1415012-1](#) [6-1419102-2](#) [6-1423698-4](#) [6-1608051-6](#) [6-1608067-0](#) [6-1616170-6](#) [6-1616248-2](#) [6-1616282-3](#) [6-1616348-2](#) [6-1616349-9](#) [6-1616350-1](#) [6-1616350-8](#) [6-1616358-7](#) [6-1616359-9](#) [6-1616360-9](#) [6-1616931-6](#) [6-1617039-1](#) [6-1617052-1](#) [6-1617090-2](#) [6-1617090-5](#) [6-1617347-5](#) [6-1617353-3](#) [6-1617801-8](#) [6-1618107-9](#) [6-1618248-4](#) [CX-4014](#) [MAHC-5494](#) [MAVCD-5419-6](#) [703XCX-120A](#) [7-1393100-5](#) [7-1393111-7](#) [7-1393767-8](#) [7-1414968-8](#) [7-1419130-3](#) [7-1608047-2](#) [7-1608065-1](#)