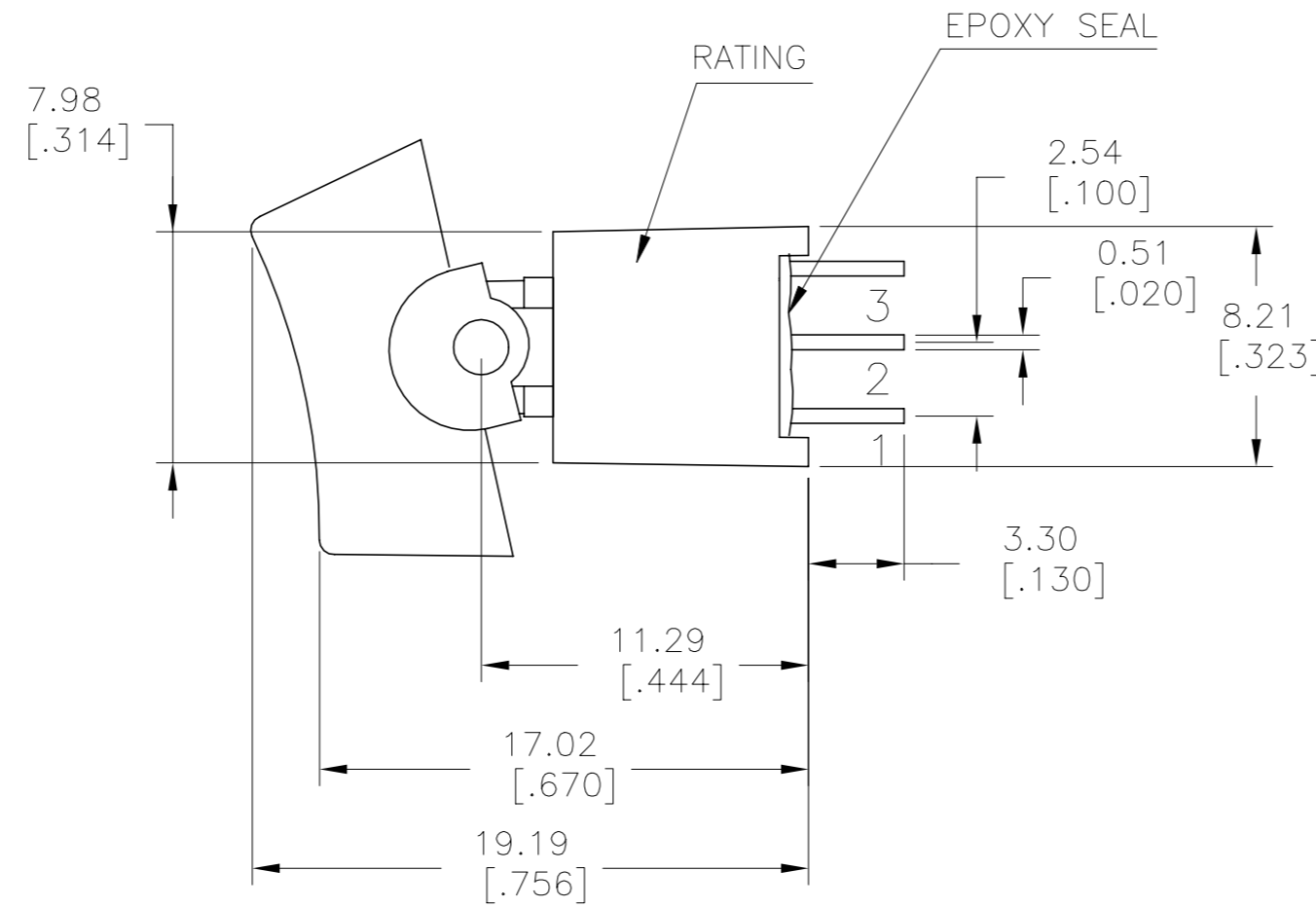
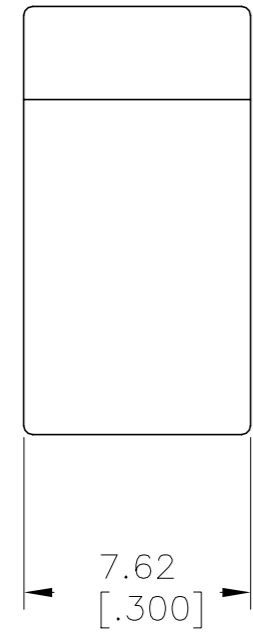


REVISIONS					
P	LTR	DESCRIPTION	DATE	DWN	APVD
	A1	REVISED PER ECO-20-005258	15APR2020	SR	JB

SPECIFICATIONS

MECHANICAL LIFE: 30,000 MAKE-AND-BREAK CYCLES.
 CONTACT RESISTANCE: 20 mΩ MAX. INITIAL @ 2-4VDC
 100mA FOR BOTH SILVER AND GOLD
 PLATED CONTACTS.
 CONTACT RATING: GOLD-0.4 VA MAX @ 20 V MAX (AC OR DC)
 SILVER-3 A @ 120 VAC OR 28 VDC
 1 A @ 250 VAC
 INSULATION RESISTANCE: 1,000 MΩ MIN.
 DIELECTRIC STRENGTH: 1,000 Vrms @SEA LEVEL.
 OPERATING TEMPERATURE: -30°C TO 85°C.
 SEALED PER: IP67



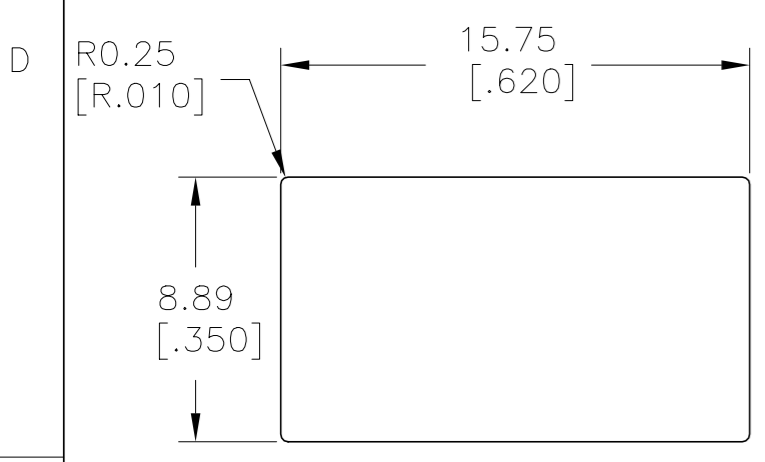
SILVER	2-1,5-4	2-3,5-6	ON-ON	V-BRACKET	VERTICAL	2	2	RAD1R102VS2QES	2267088-8
GOLD	2-1	2-3	ON-ON	V-BRACKET	VERTICAL	1	2	RAS1R102VS2RES	2267088-7
GOLD	2-1,5-4	2-3,5-6	ON-ON	PC THROUGH HOLE	VERTICAL RIGHT ANGLE	2	2	RAD1R102M7RES	2267088-6
GOLD	2-1	2-3	ON-ON	PC THROUGH HOLE	VERTICAL RIGHT ANGLE	1	2	RAS1R102M7RES	2267088-5
SILVER	2-1,5-4	2-3,5-6	ON-ON	PC THROUGH HOLE	RIGHT ANGLE	2	2	RAD1R102M6QES	2267088-4
SILVER	2-1	2-3	ON-ON	PC THROUGH HOLE	RIGHT ANGLE	1	2	RAS1R202M6QES	2267088-3
SILVER	2-1,5-4	2-3,5-6	ON-ON	PC THROUGH HOLE	VERTICAL	2	2	RAD1R102M2QES	2267088-2
GOLD	2-1	2-3	ON-ON	PC THROUGH HOLE	VERTICAL	1	2	RAS1R102M2RES	2267088-1
CONTACT MATERIAL	POS 2	POS 1	FUNCTION	TERMINATION	MOUNT ANGLE	POLES	THROWS	DESCRIPTIVE PN	TE PN

THIS DRAWING IS A CONTROLLED DOCUMENT.

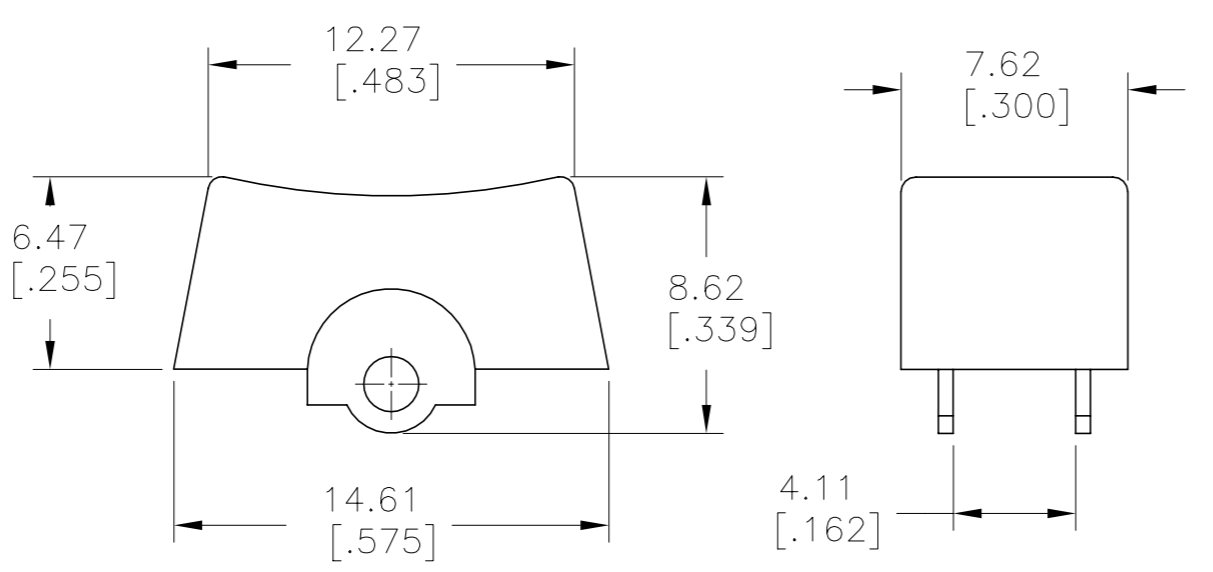
DIMENSIONS: mm [INCHES]	TOLERANCES UNLESS OTHERWISE SPECIFIED:	DWN NAGALAKSHMI K 10JUL2014	TE Connectivity Ltd.	
	0 PLC ± -	CHK HILL, RYAN 10JUL2014	NAME	
	1 PLC ± 0.38[.015]	APVD HILL, RYAN 10JUL2014	SUBMINIATURE ROCKER SWITCHES	
	2 PLC ± 0.25[.010]	PRODUCT SPEC	SIZE	CAGE CODE
	3 PLC ± -	APPLICATION SPEC	A2	00779
	4 PLC ± -	WEIGHT	SCALE	DRAWING NO
	ANGLES ± 5°	CUSTOMER DRAWING	3:1	C=2267088
MATERIAL	FINISH	RESTRICTED TO	SHEET	REV
-	-	-	1 of 5	A1

REVISIONS					
P	LTR	DESCRIPTION	DATE	DWN	APVD
-	-	SEE SHEET 1	-	-	-

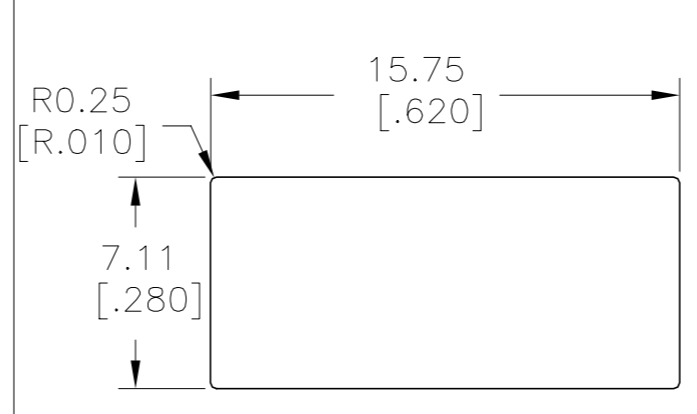
ACTUATOR OPTIONS



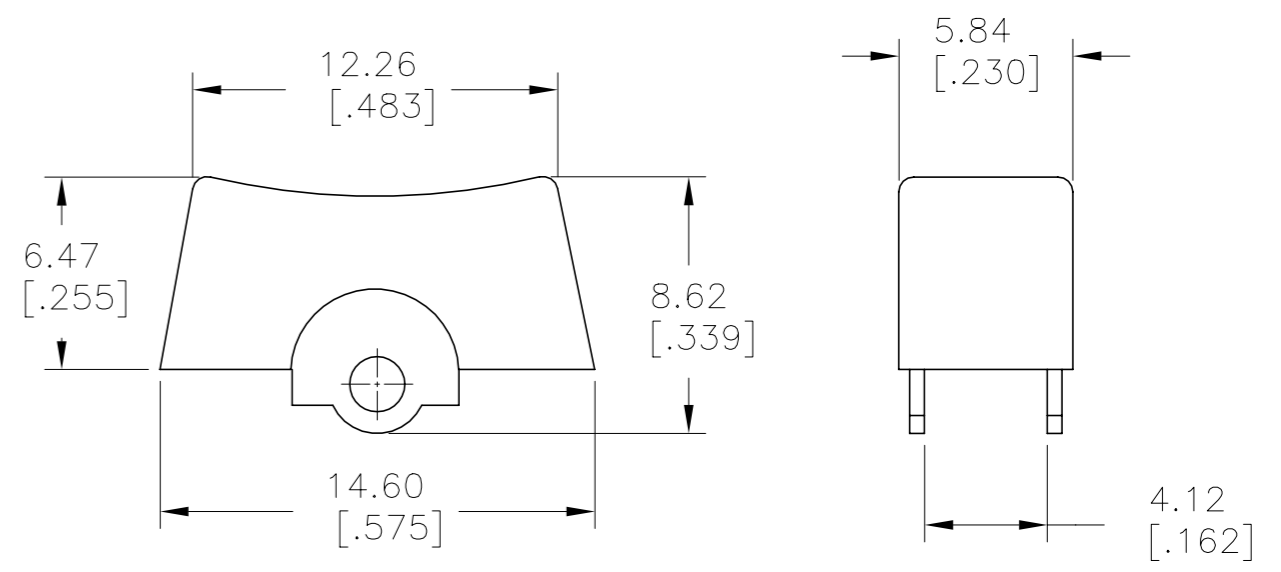
PANEL MOUNTING



R1
WIDE ACTUATOR



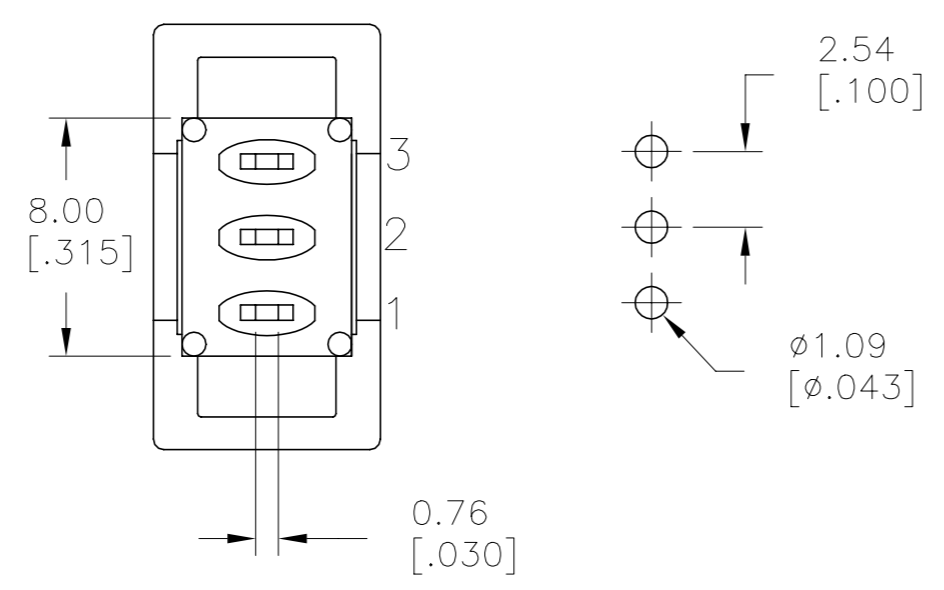
PANEL MOUNTING



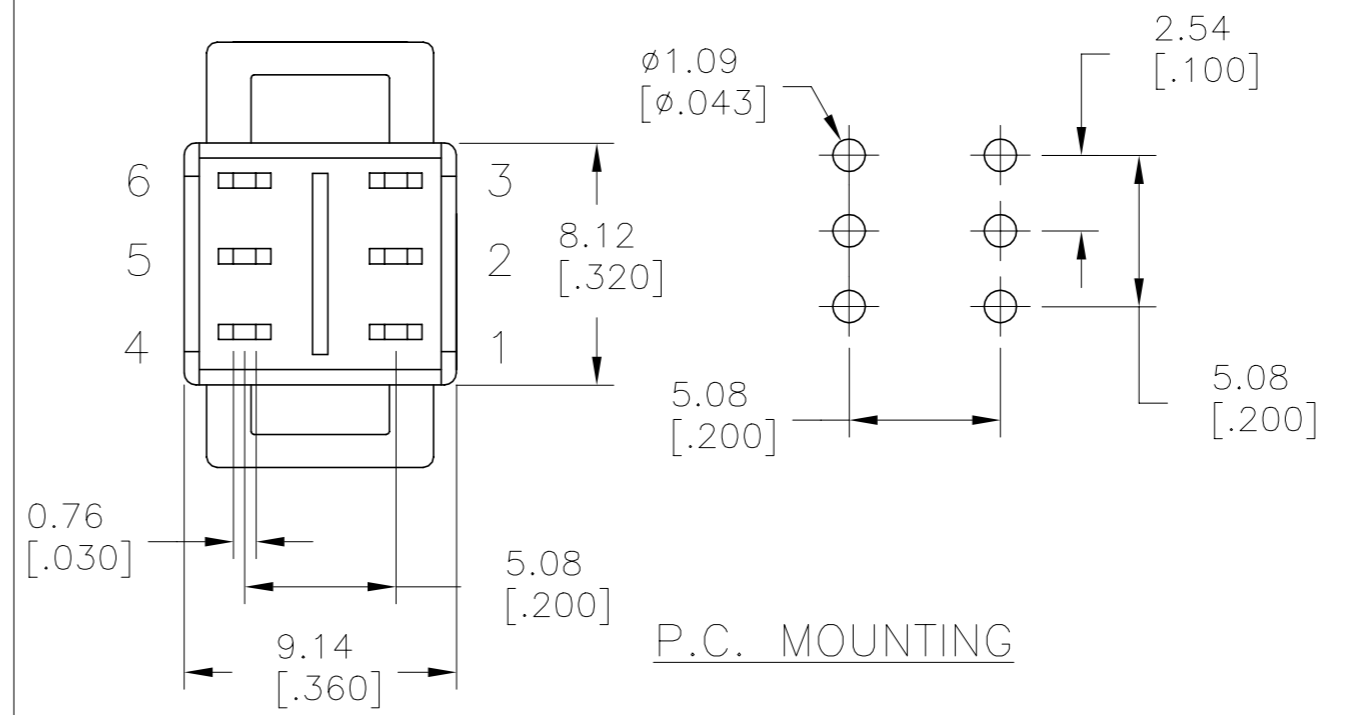
R2
NARROW ACTUATOR

TERMINATION OPTIONS

SPDT M2
PCB THROUGH-HOLE



P.C. MOUNTING



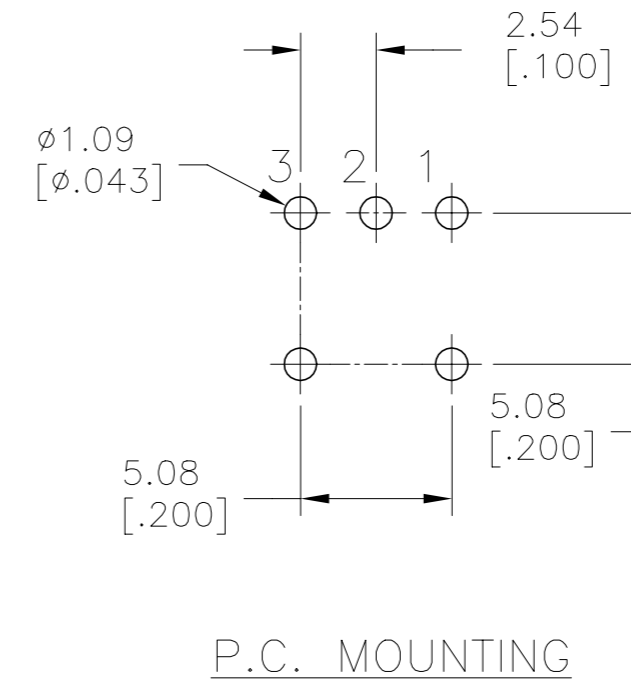
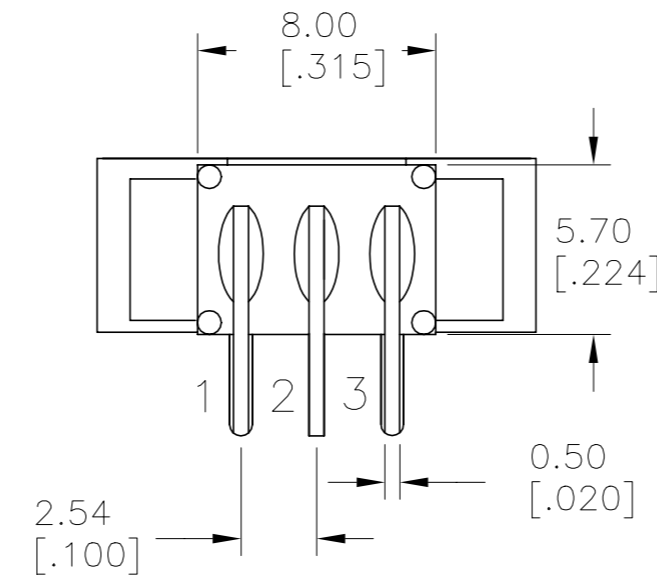
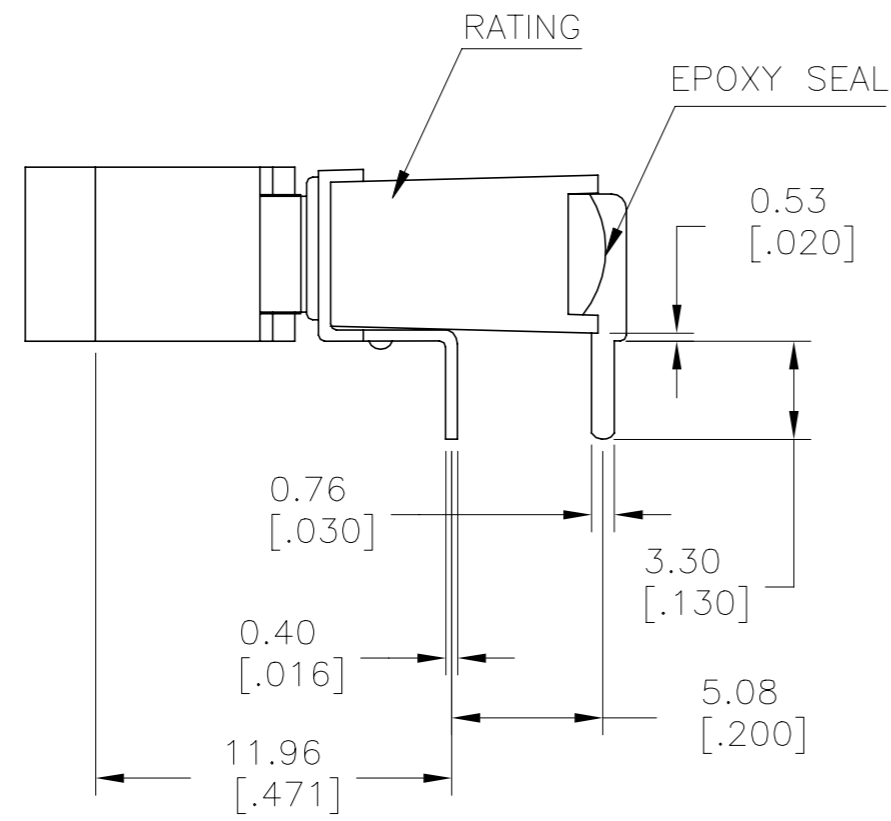
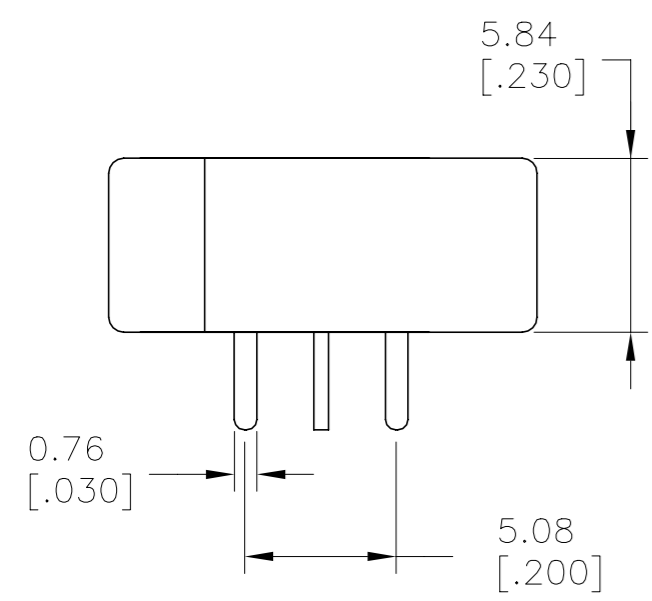
P.C. MOUNTING

DPDT M2
PCB THROUGH-HOLE

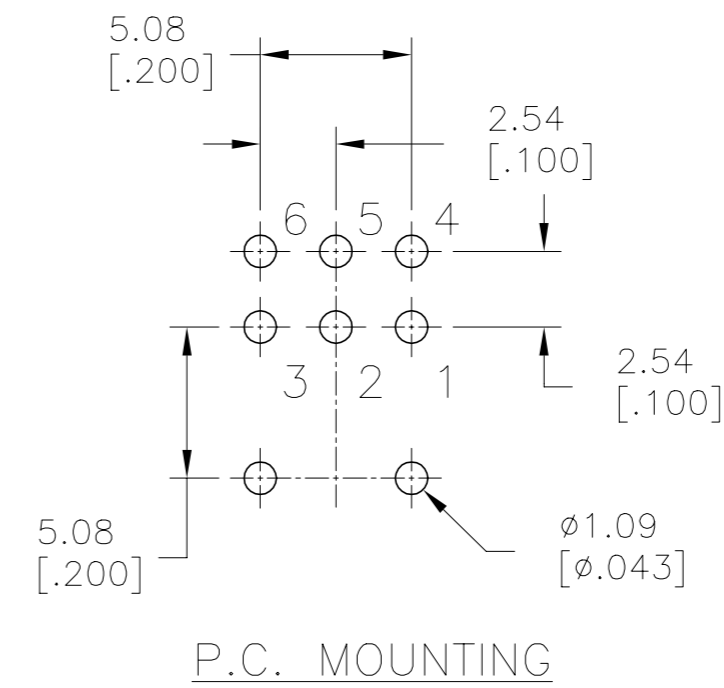
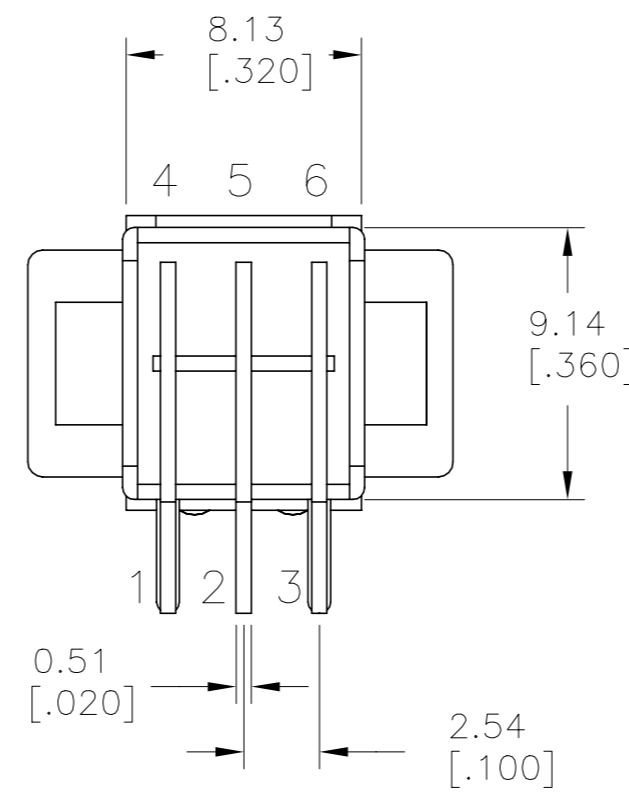
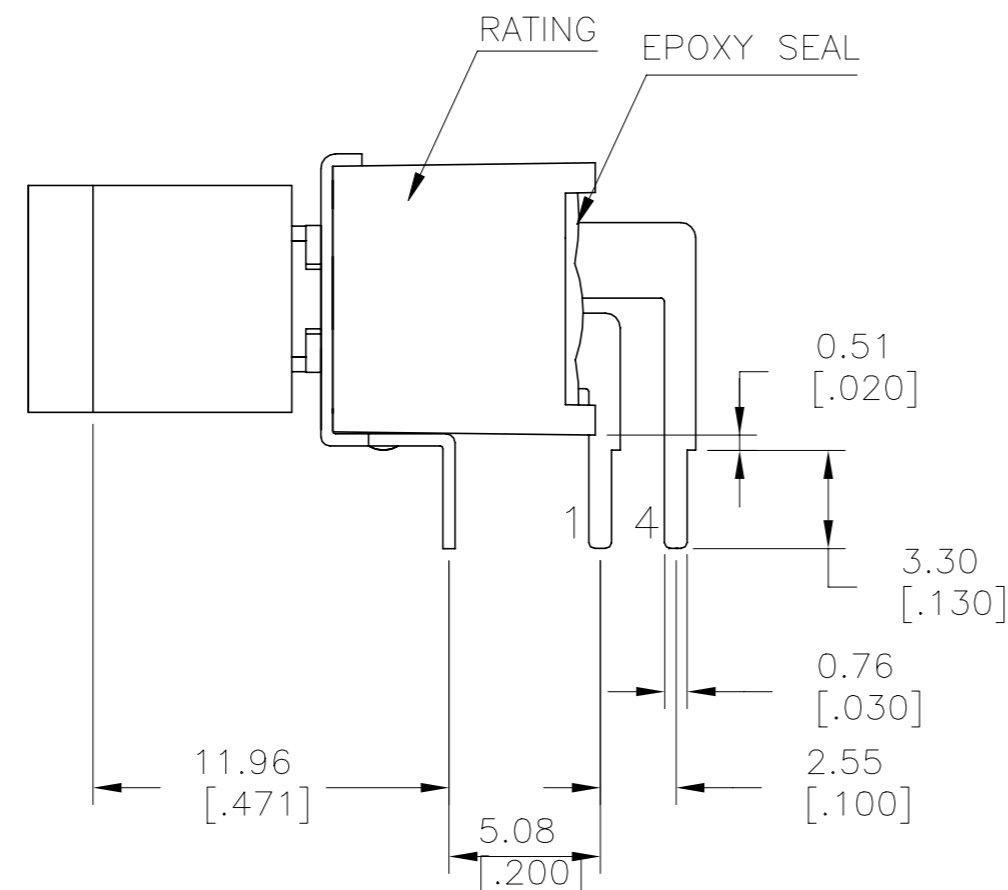
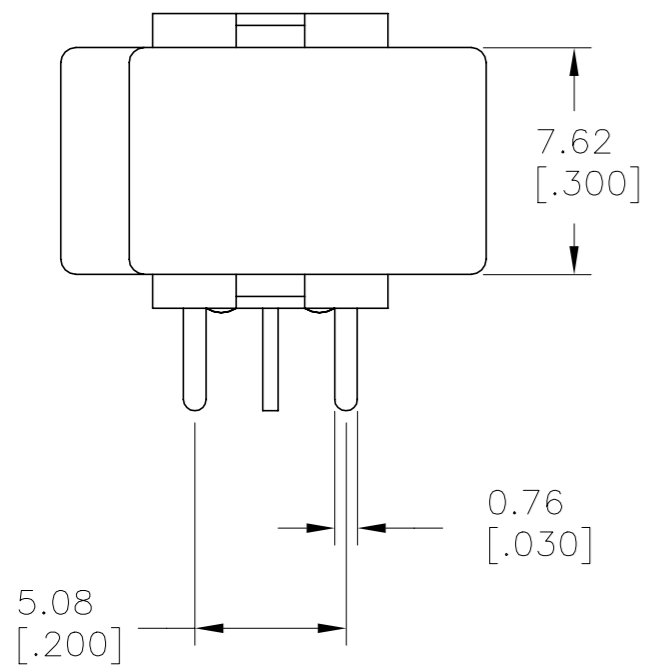
LAYOUT FOR PN 2267088-1 & 2

THIS DRAWING IS A CONTROLLED DOCUMENT.		DWN NAGALAKSHMI K 10JUL2014	TE Connectivity Ltd.	
DIMENSIONS: mm [INCHES]		CHK HILL, RYAN 10JUL2014		
TOLERANCES UNLESS OTHERWISE SPECIFIED:		APVD HILL, RYAN 10JUL2014	NAME SUBMINIATURE ROCKER SWITCHES	
0 PLC ± - 1 PLC ± 0.38[.015] 2 PLC ± 0.25[.010] 3 PLC ± - 4 PLC ± - ANGLES ± 5°		PRODUCT SPEC	SIZE A2	
MATERIAL		APPLICATION SPEC	CAGE CODE 00779	DRAWING NO C=2267088
		WEIGHT	RESTRICTED TO	
		CUSTOMER DRAWING	SCALE 3:1	SHEET 2 of 5
			REV A1	

REVISIONS					
P	LTR	DESCRIPTION	DATE	DWN	APVD
-	-	SEE SHEET 1	-	-	-



SPDT M6
RIGHT ANGLE

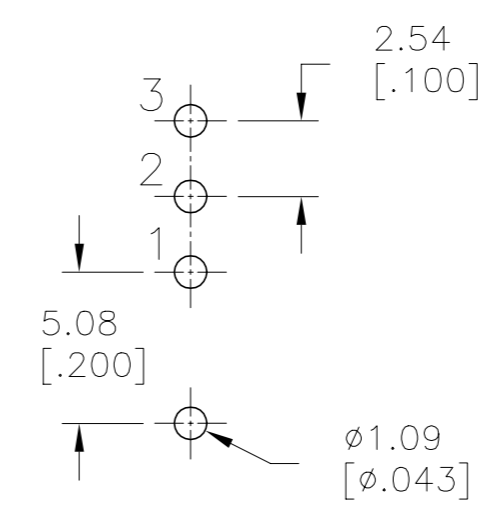
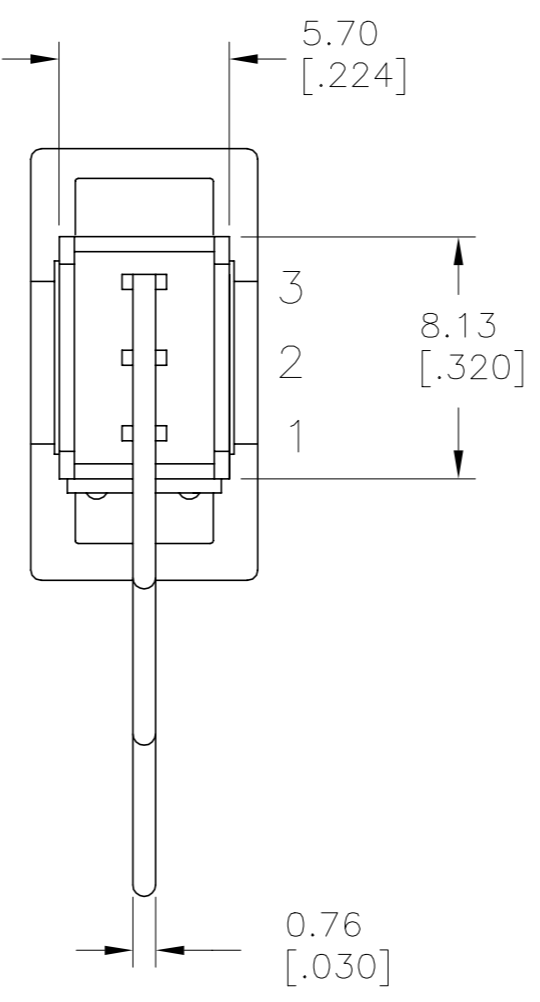
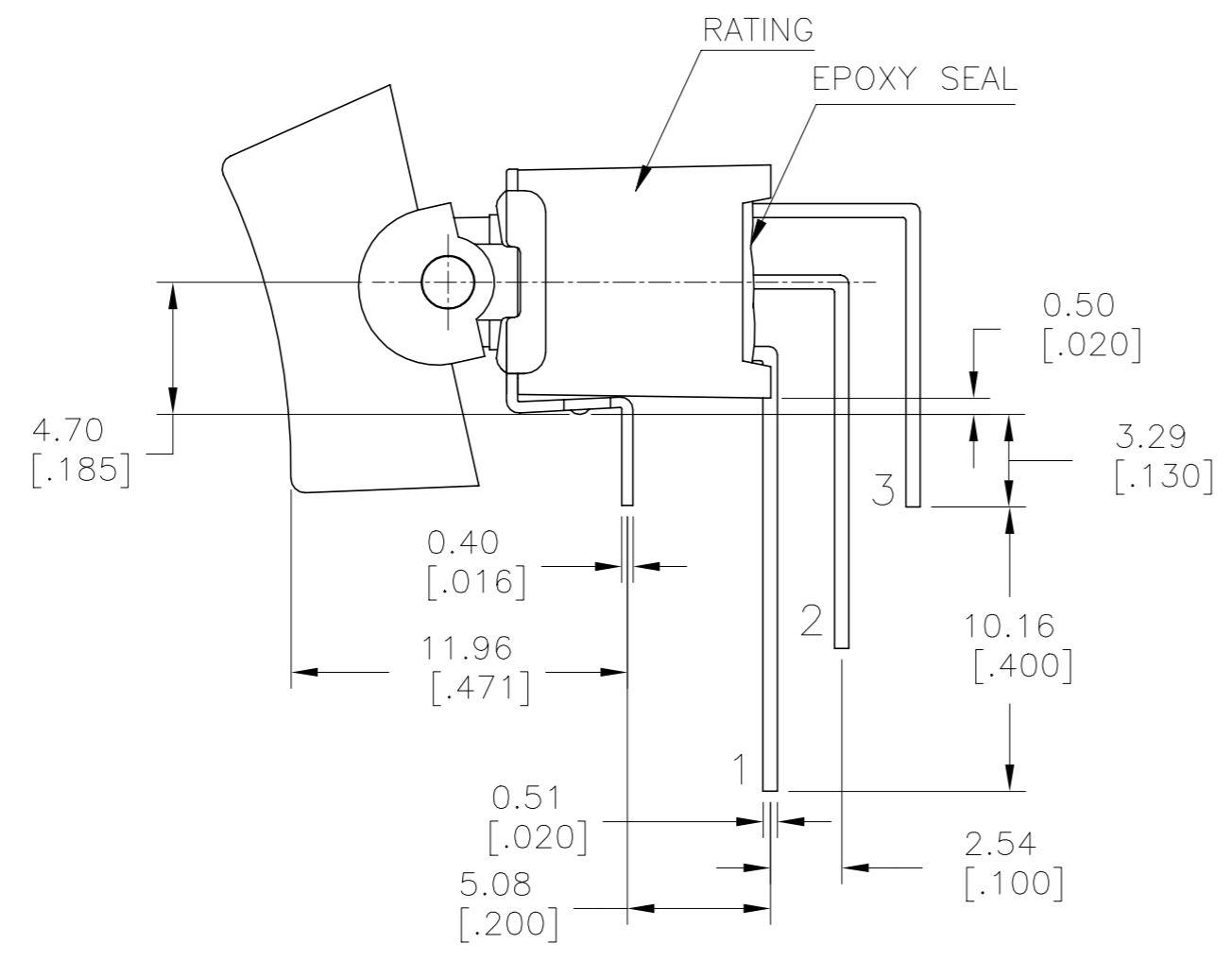
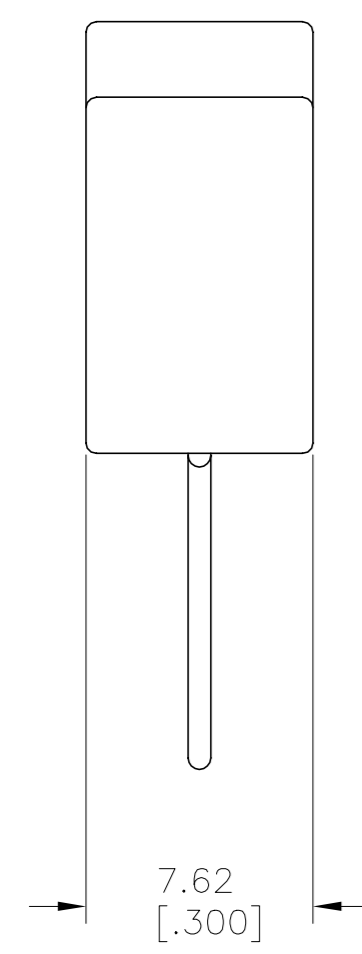


DPDT M6
RIGHT ANGLE

LAYOUT FOR PN 2267088-3 & 4

THIS DRAWING IS A CONTROLLED DOCUMENT.		DWN NAGALAKSHMI K 10JUL2014	TE Connectivity Ltd.			
DIMENSIONS: mm [INCHES]		CHK HILL, RYAN 10JUL2014			NAME SUBMINIATURE ROCKER SWITCHES	
TOLERANCES UNLESS OTHERWISE SPECIFIED:		APVD HILL, RYAN 10JUL2014	SIZE A2	CAGE CODE 00779	DRAWING NO C=2267088	RESTRICTED TO -
0 PLC ± - 1 PLC ± 0.38[015] 2 PLC ± 0.25[010] 3 PLC ± - 4 PLC ± - ANGLES ± 5°		PRODUCT SPEC -	SCALE 3:1	SHEET 3 of 5	REV A1	
MATERIAL -		APPLICATION SPEC -	CUSTOMER DRAWING			

REVISIONS					
P	LTR	DESCRIPTION	DATE	DWN	APVD
-	-	SEE SHEET 1	-	-	-



SPDT M7

VERTICAL
RIGHT ANGLE

P.C. MOUNTING

D

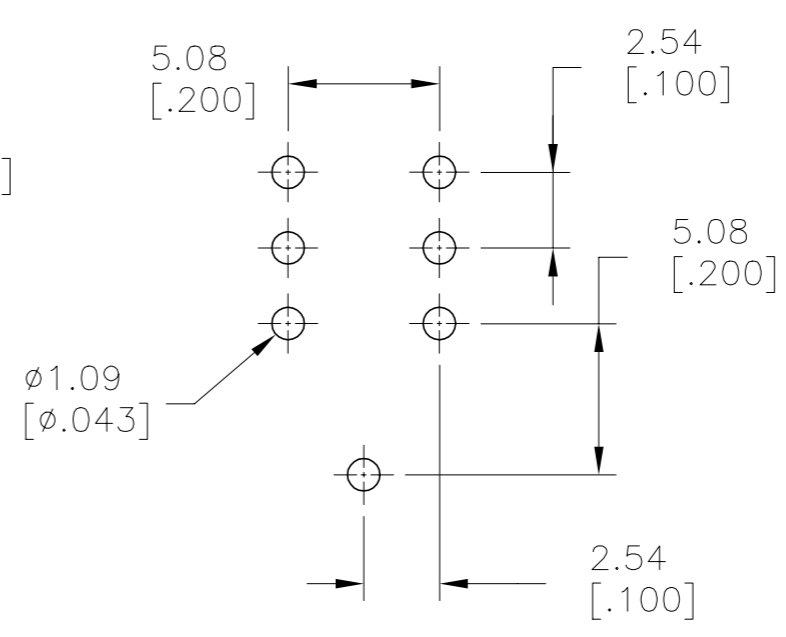
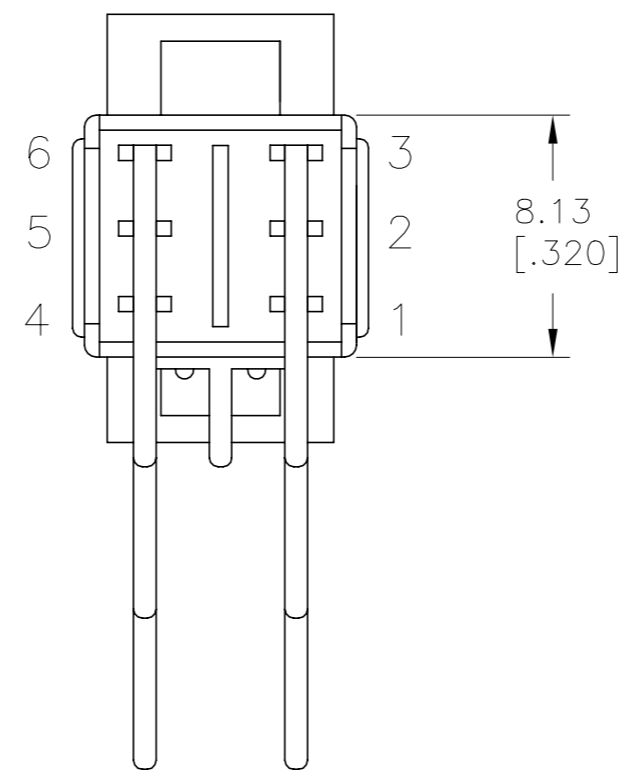
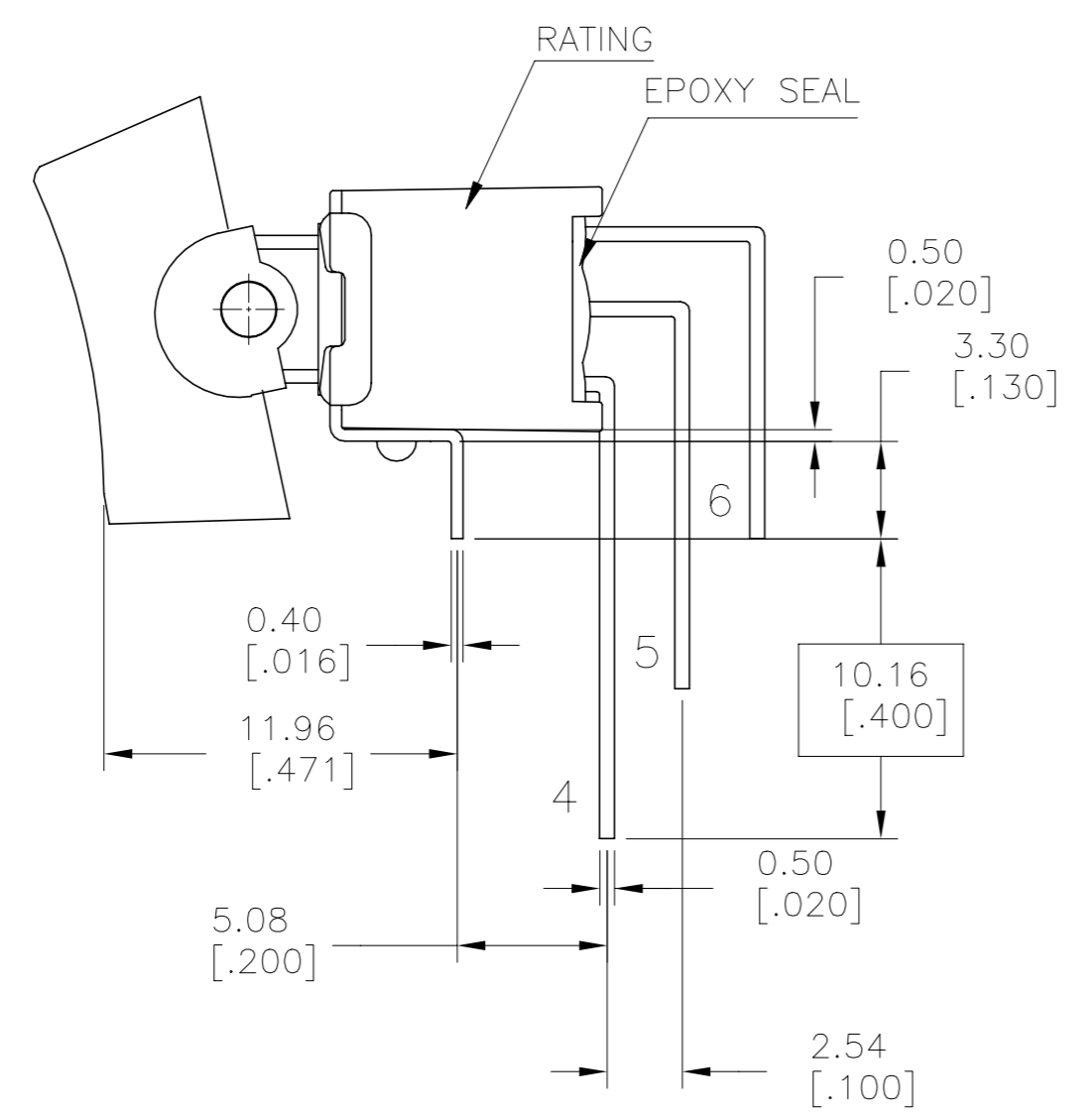
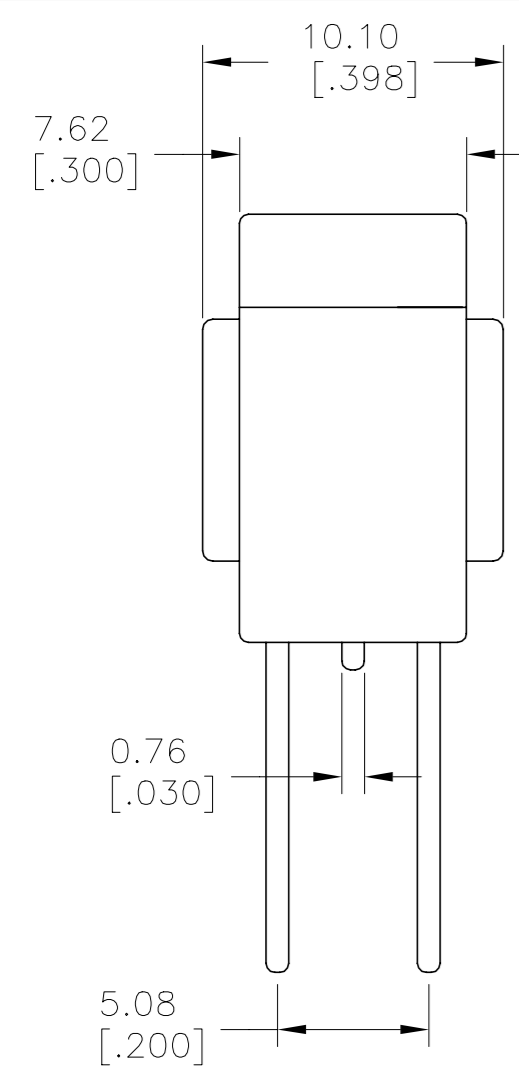
D

C

C

B

B



DPDT M7

VERTICAL
RIGHT ANGLE

P.C. MOUNTING

LAYOUT FOR PN 2267088-5 & 6

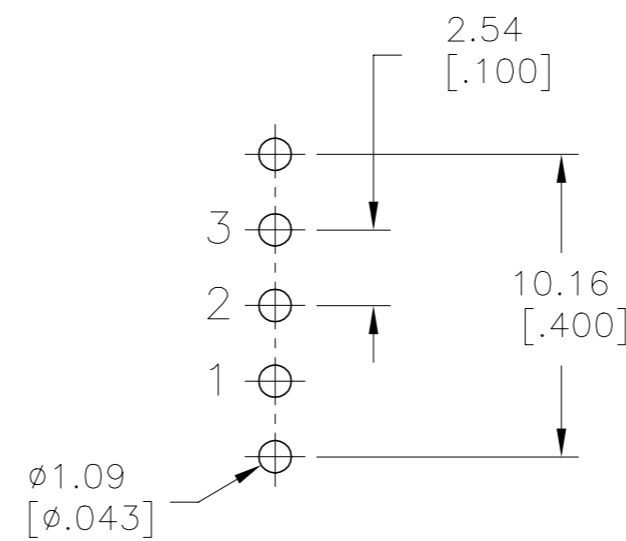
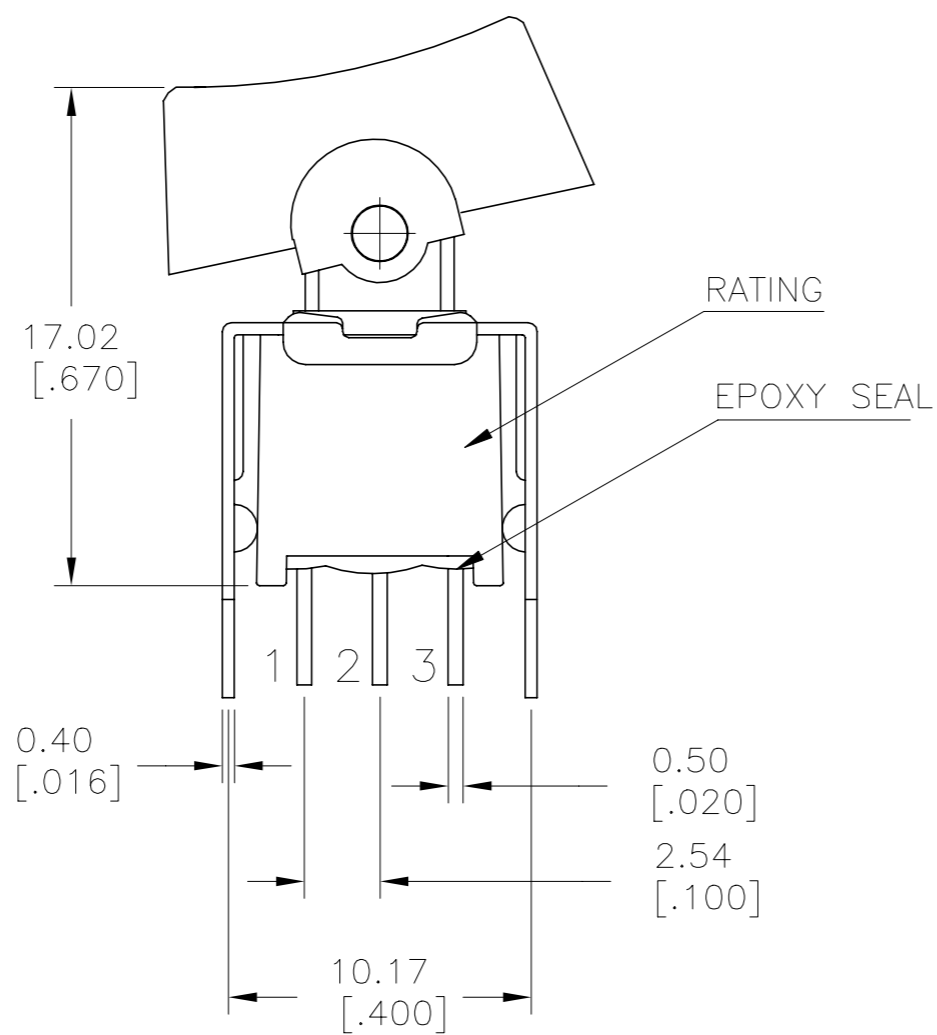
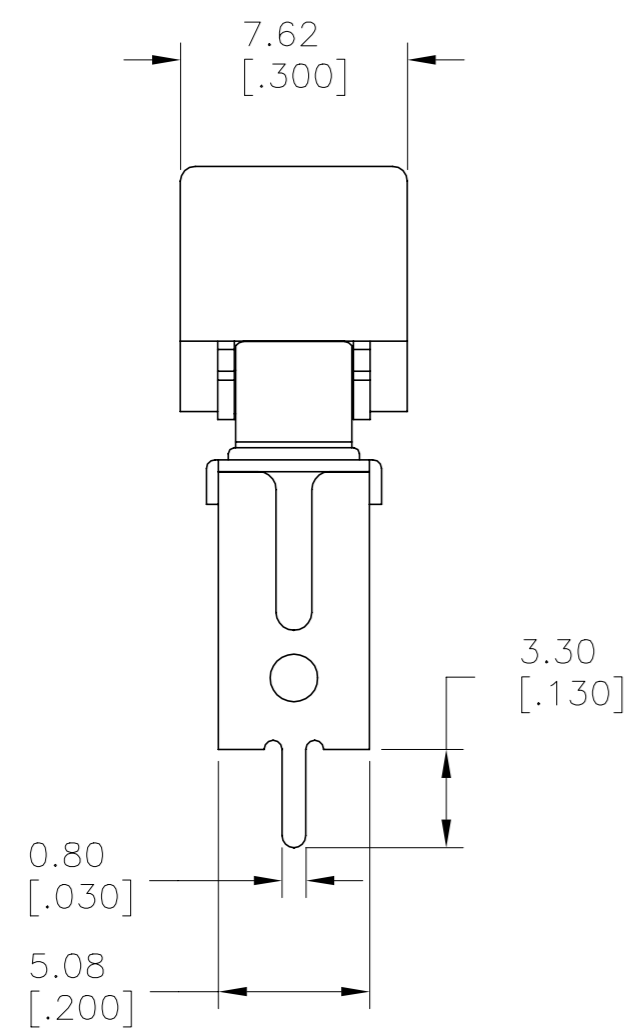
2267088

A

A

THIS DRAWING IS A CONTROLLED DOCUMENT.		DWN NAGALAKSHMI K 10JUL2014	TE Connectivity Ltd.			
DIMENSIONS: mm [INCHES]		CHK HILL, RYAN 10JUL2014			NAME SUBMINIATURE ROCKER SWITCHES	
TOLERANCES UNLESS OTHERWISE SPECIFIED:		APVD HILL, RYAN 10JUL2014	SIZE A2	CAGE CODE 00779	DRAWING NO C=2267088	RESTRICTED TO -
0 PLC ± - 1 PLC ± 0.38[.015] 2 PLC ± 0.25[.010] 3 PLC ± - 4 PLC ± - ANGLES ± 5°		PRODUCT SPEC -	SCALE 3:1	SHEET 4 of 5	REV A1	
MATERIAL -		FINISH -	WEIGHT -	CUSTOMER DRAWING		

REVISIONS					
P	LTR	DESCRIPTION	DATE	DWN	APVD
-	-	SEE SHEET 1	-	-	-



SPDT VS2
VERTICAL V-BRACKET

P.C. MOUNTING

D

D

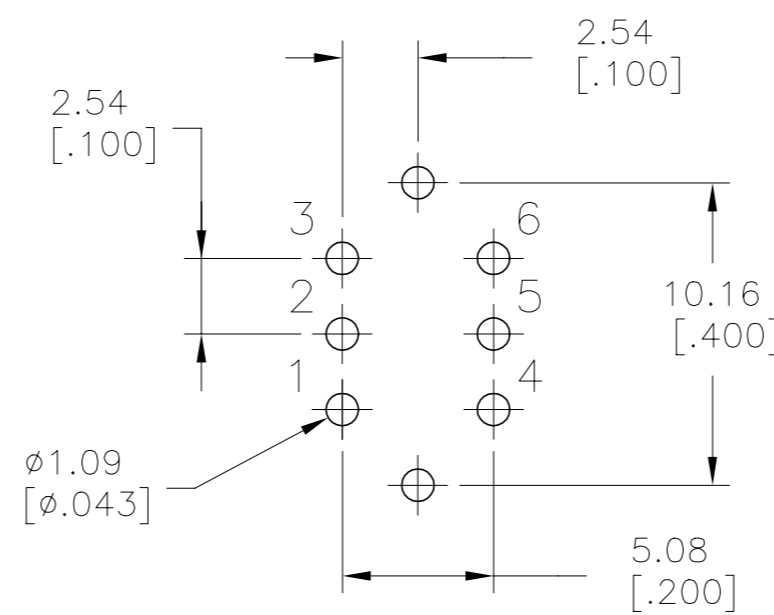
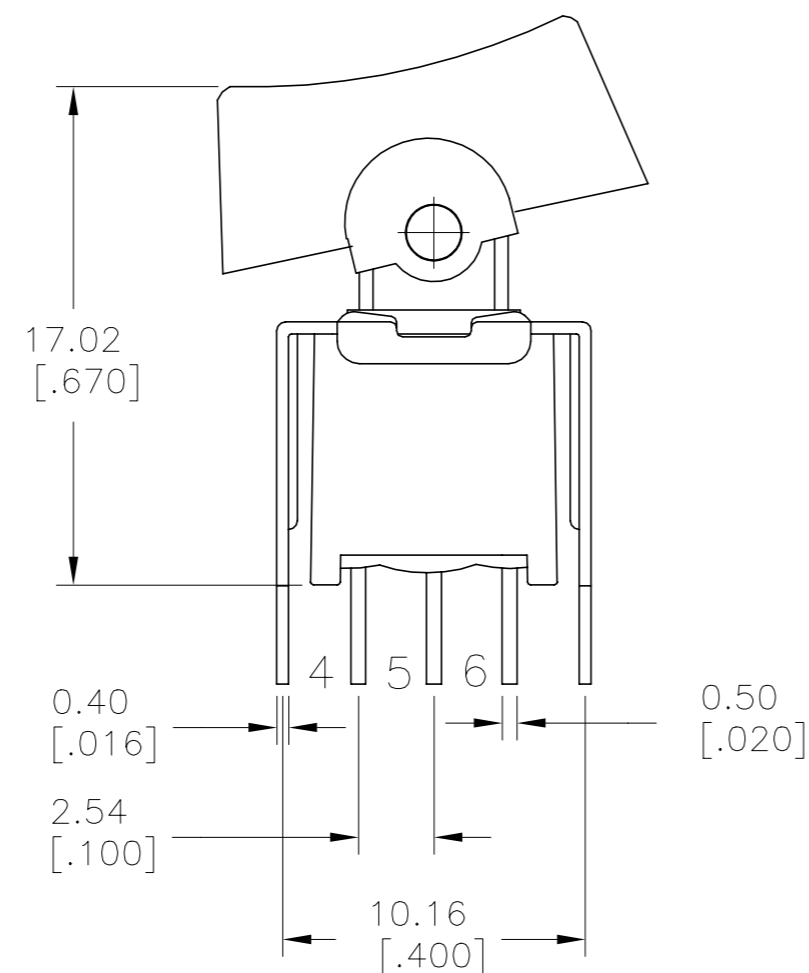
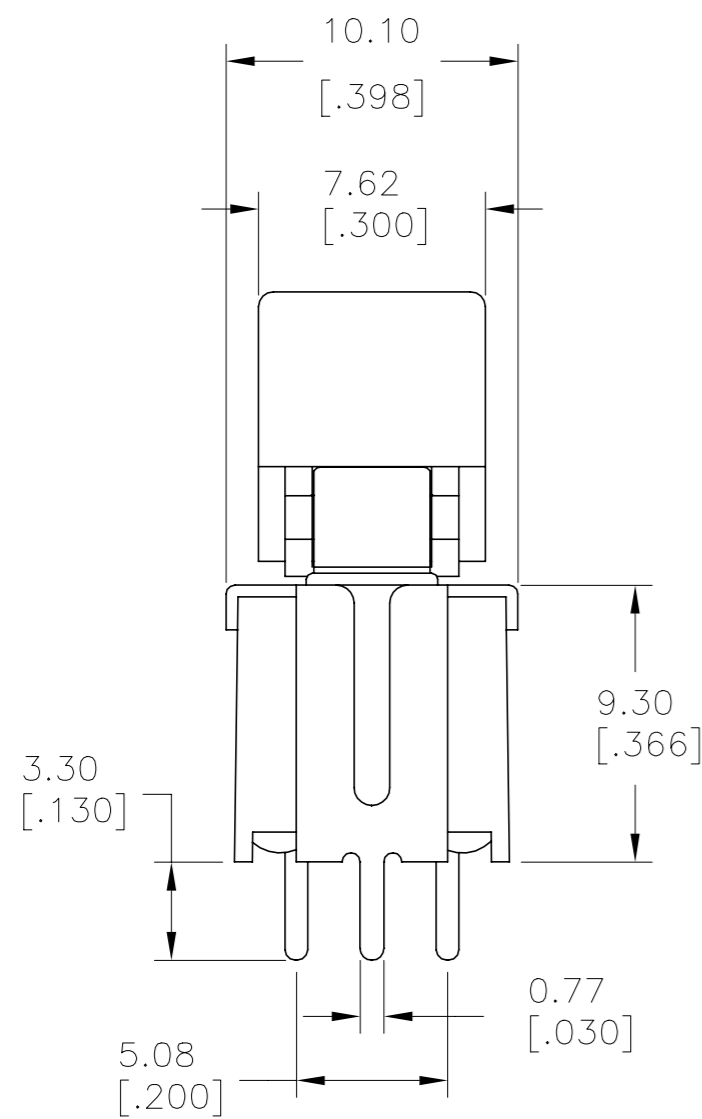
C

C

B

B

2267088



DPDT VS2
VERTICAL V-BRACKET

P.C. MOUNTING

LAYOUT FOR PN 2267088-7 & 8

A

A

THIS DRAWING IS A CONTROLLED DOCUMENT.		DWN NAGALAKSHMI K 10JUL2014	TE Connectivity Ltd.	
DIMENSIONS: mm [INCHES]		CHK HILL, RYAN 10JUL2014		
TOLERANCES UNLESS OTHERWISE SPECIFIED:		APVD HILL, RYAN 10JUL2014	NAME SUBMINIATURE ROCKER SWITCHES	
0 PLC ± -		PRODUCT SPEC	SIZE A2	
1 PLC ± 0.38[.015]		APPLICATION SPEC	CAGE CODE 00779	DRAWING NO C=2267088
2 PLC ± 0.25[.010]		WEIGHT	RESTRICTED TO	
3 PLC ± -			SCALE 3:1	SHEET 5 of 5
4 PLC ± -			REV A1	
ANGLES ± 5°				
MATERIAL			CUSTOMER DRAWING	
FINISH				

X-ON Electronics

Largest Supplier of Electrical and Electronic Components

Click to view similar products for [Rocker Switches](#) category:

Click to view products by [TE Connectivity](#) manufacturer:

Other Similar products are found below :

[LTILA6E-1S-WH-RC-FN12VXCR1](#) [6-1571986-9](#) [8007K26N324V52](#) [8055K23Z7V](#) [8055K32Z7V](#) [8055K52Z7V](#) [8138K20E6M50](#) [84206L](#)
[84312LX](#) [PREDD5-07F-BB0GW](#) [999-16716-002](#) [999-16716-003](#) [999-16716-004](#) [A101J1V3Q004](#) [A101J2ZQ004](#) [A101J4ZQ004](#)
[A101J51CB0004](#) [A103J1ZQ004](#) [A201J1AQ004](#) [A201J3ZB004](#) [A201J50ZQ004](#) [A203J51ZQ0004](#) [A435S1YZQ](#) [H8500XBBBBL-A](#)
[H8653VBBG2577W](#) [HB130CHNWWNAAC](#) [R13112ABB-602W](#) [1251.0303](#) [AE205J60V3B004](#) [1352.0107](#) [1500G51E](#) [1571099-3](#)
[1571987-4](#) [1571987-5](#) [1571989-7](#) [1571988-5](#) [B123J77V7B2](#) [B226J50W4Q22P](#) [B433J37ZQ22M](#) [160212E](#) [1634200-7](#) [1801.1164](#) [1839.1502](#)
[PANEL-PLUG-VHP-BLACK](#) [PANEL-PLUG-VHP-WT](#) [K1ABBSCADN](#) [K2ABAAAAAA](#) [KG312A2DXD246X](#) [250011E714](#) [2600HM11E](#)