

REVISIONS					
P	LTR	DESCRIPTION	DATE	DWN	APVD
	A1	REVISED PER ECO-20-005258	15APR2020	SR	JB

SPECIFICATIONS

MECHANICAL LIFE: 30,000 MAKE-AND-BREAK CYCLES.

CONTACT RESISTANCE: 20 mΩ MAX. INITIAL @ 2-4VDC
100mA FOR BOTH SILVER AND GOLD
PLATED CONTACTS.

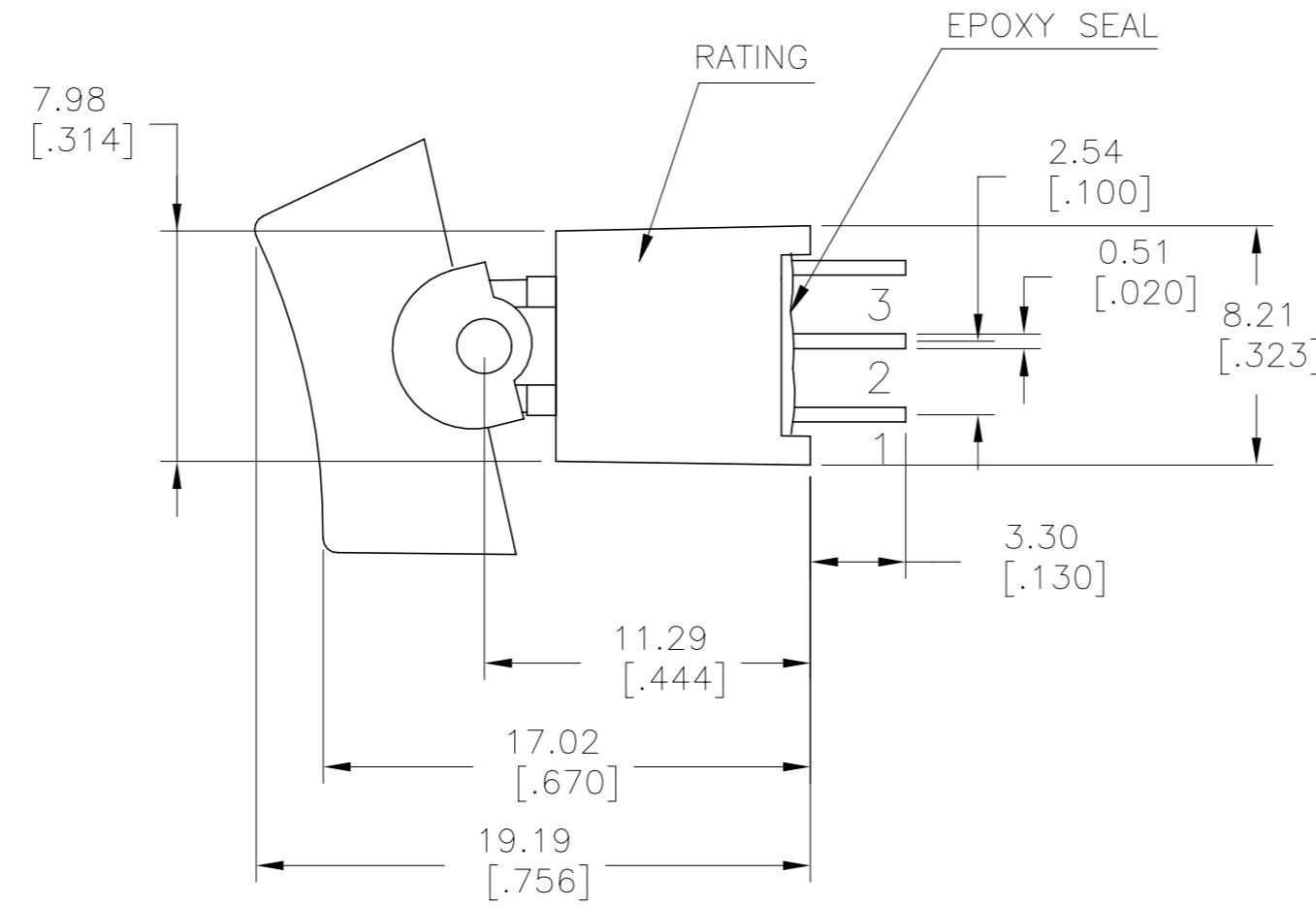
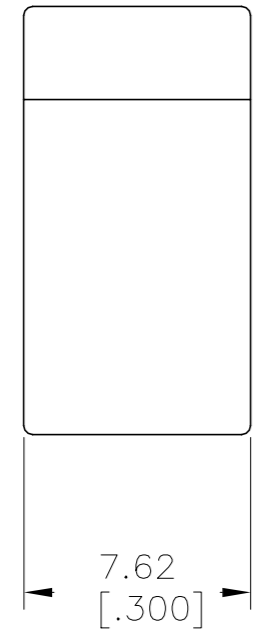
CONTACT RATING: GOLD-0.4 VA MAX @ 20 V MAX (AC OR DC)
SILVER-3 A @ 120 VAC OR 28 VDC
1 A @ 250 VAC

INSULATION RESISTANCE: 1,000 MΩ MIN.

DIELECTRIC STRENGTH: 1,000 Vrms @SEA LEVEL.

OPERATING TEMPERATURE: -30°C TO 85°C.

SEALED PER: IP67



SILVER	2-1,5-4	2-3,5-6	ON-ON	V-BRACKET	VERTICAL	2	2	RAD1R102VS2QES	2267088-8
GOLD	2-1	2-3	ON-ON	V-BRACKET	VERTICAL	1	2	RAS1R102VS2RES	2267088-7
GOLD	2-1,5-4	2-3,5-6	ON-ON	PC THROUGH HOLE	VERTICAL RIGHT ANGLE	2	2	RAD1R102M7RES	2267088-6
GOLD	2-1	2-3	ON-ON	PC THROUGH HOLE	VERTICAL RIGHT ANGLE	1	2	RAS1R102M7RES	2267088-5
SILVER	2-1,5-4	2-3,5-6	ON-ON	PC THROUGH HOLE	RIGHT ANGLE	2	2	RAD1R102M6QES	2267088-4
SILVER	2-1	2-3	ON-ON	PC THROUGH HOLE	RIGHT ANGLE	1	2	RAS1R202M6QES	2267088-3
SILVER	2-1,5-4	2-3,5-6	ON-ON	PC THROUGH HOLE	VERTICAL	2	2	RAD1R102M2QES	2267088-2
GOLD	2-1	2-3	ON-ON	PC THROUGH HOLE	VERTICAL	1	2	RAS1R102M2RES	2267088-1
CONTACT MATERIAL	POS 2	POS 1	FUNCTION	TERMINATION	MOUNT ANGLE	POLES	THROWS	DESCRIPTIVE PN	TE PN

THIS DRAWING IS A CONTROLLED DOCUMENT.

DIMENSIONS: mm [INCHES]

TOLERANCES UNLESS OTHERWISE SPECIFIED:

0 PLC	± -
1 PLC	± 0.38[.015]
2 PLC	± 0.25[.010]
3 PLC	± -
4 PLC	± -
ANGLES	± 5°

MATERIAL: - FINISH: -

APPROVALS:

DWN	10JUL2014	NAGALAKSHMI K
CHK	10JUL2014	HILL, RYAN
APVD	10JUL2014	HILL, RYAN

PRODUCT SPEC: - APPLICATION SPEC: -

WEIGHT: -

CUSTOMER DRAWING

TE Connectivity Ltd. SUBMINIATURE ROCKER SWITCHES

SIZE: A2 CAGE CODE: 00779 DRAWING NO: C=2267088 RESTRICTED TO: -

SCALE: 3:1 SHEET: 1 of 5 REV: A1

4

3

2

1

© - TE Connectivity. All Rights Reserved.

REVISIONS

P	LTR	DESCRIPTION	DATE	DWN	APVD
-	-	SEE SHEET 1	-	-	-

ACTUATOR OPTIONS

PANEL MOUNTING

R1

WIDE ACTUATOR

PANEL MOUNTING

R2

NARROW ACTUATOR

TERMINATION OPTIONS

SPDT M2
PCB THROUGH-HOLE

P.C. MOUNTING

P.C. MOUNTING

DPDT M2
PCB THROUGH-HOLE

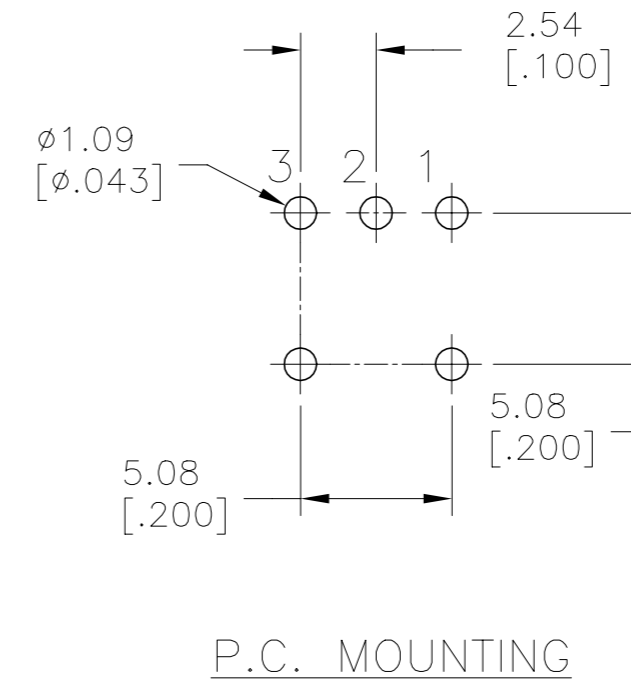
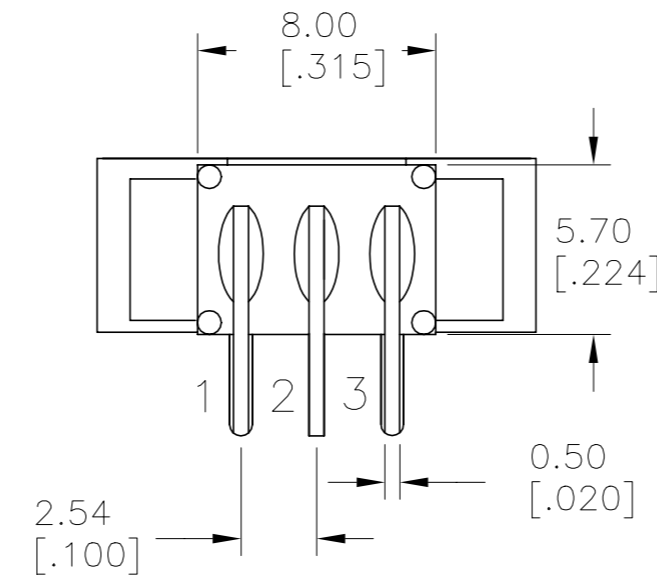
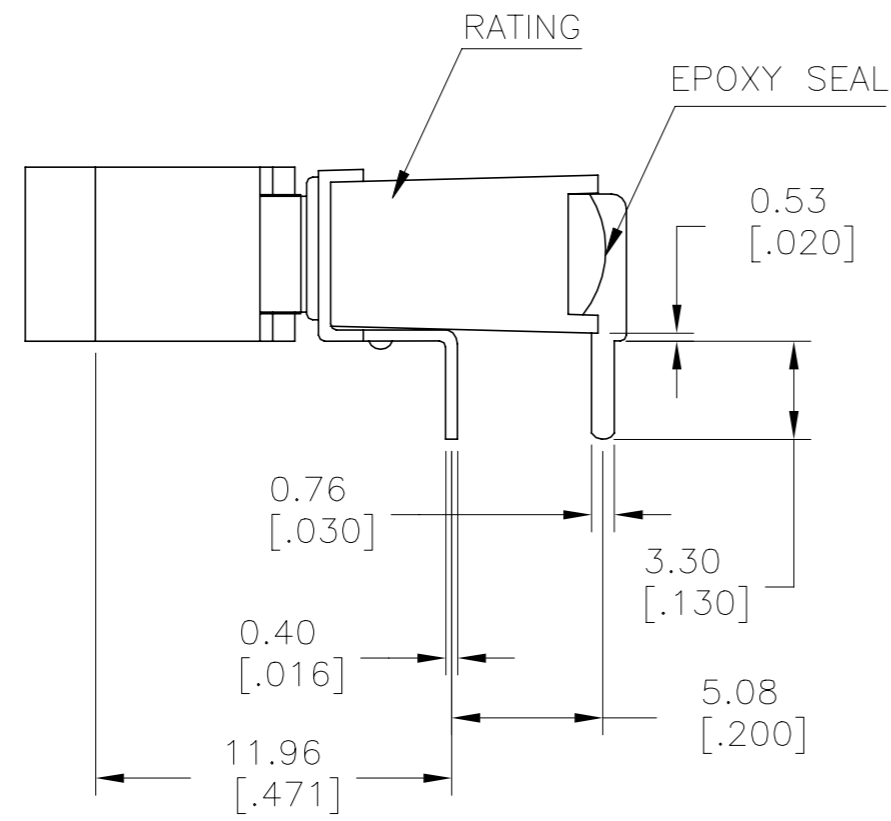
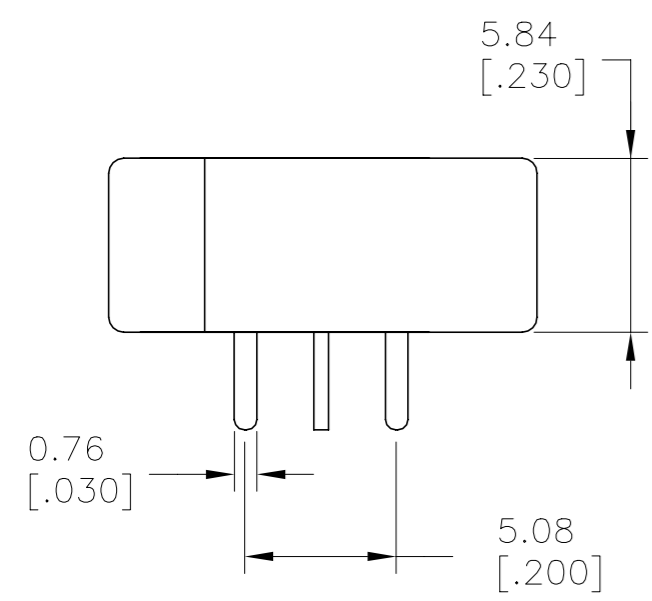
LAYOUT FOR PN 2267088-1 & 2

THIS DRAWING IS A CONTROLLED DOCUMENT.		DWN NAGALAKSHMI K	10JUL2014	TE TE Connectivity Ltd.	
DIMENSIONS: mm [INCHES]		CHK HILL, RYAN	10JUL2014		
TOLERANCES UNLESS OTHERWISE SPECIFIED:		APVD HILL, RYAN	10JUL2014	NAME SUBMINIATURE ROCKER SWITCHES	
0 PLC ± -		PRODUCT SPEC		SIZE A2	
1 PLC ± 0.38[.015]		APPLICATION SPEC		CAGE CODE 00779	
2 PLC ± 0.25[.010]		WEIGHT		DRAWING NO C=2267088	
3 PLC ± -		CUSTOMER DRAWING		RESTRICTED TO -	
4 PLC ± -		SCALE 3:1		SHEET 2 of 5	
ANGLES ± 5°		REV A1			
MATERIAL -					
FINISH -					

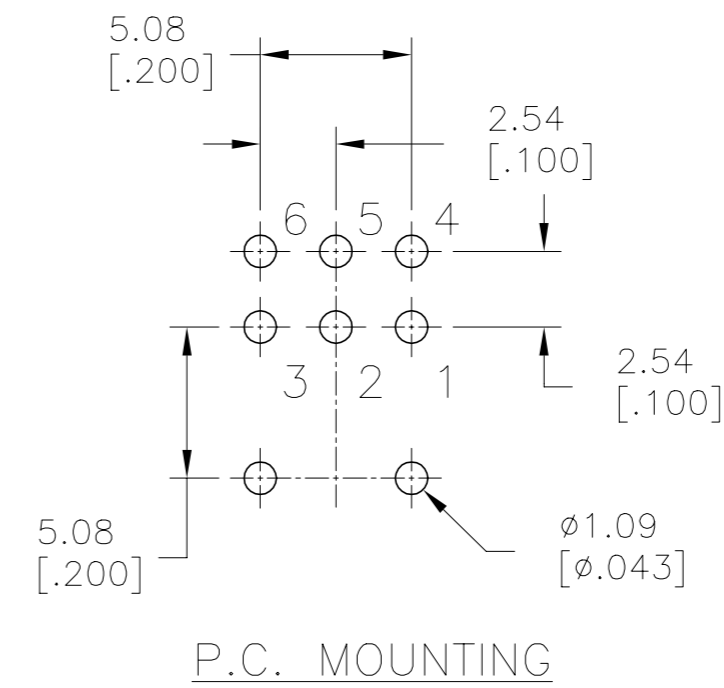
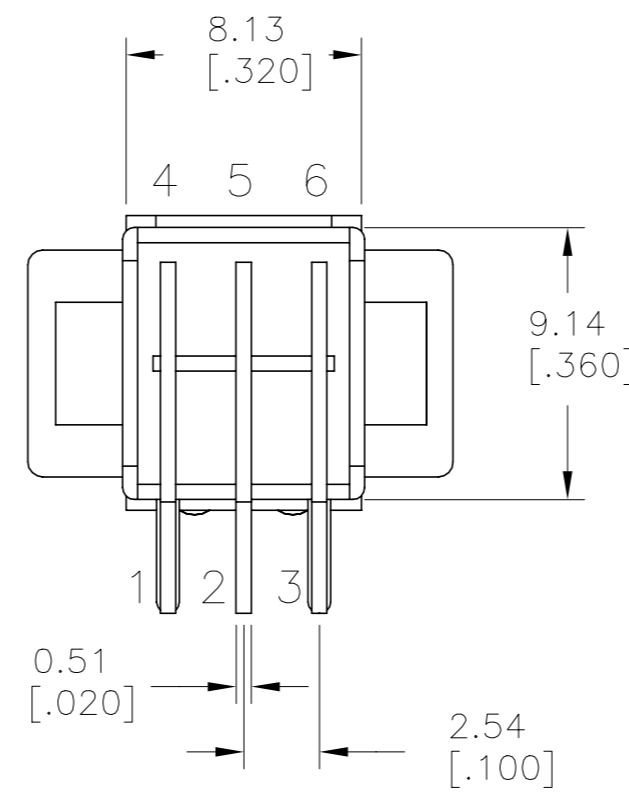
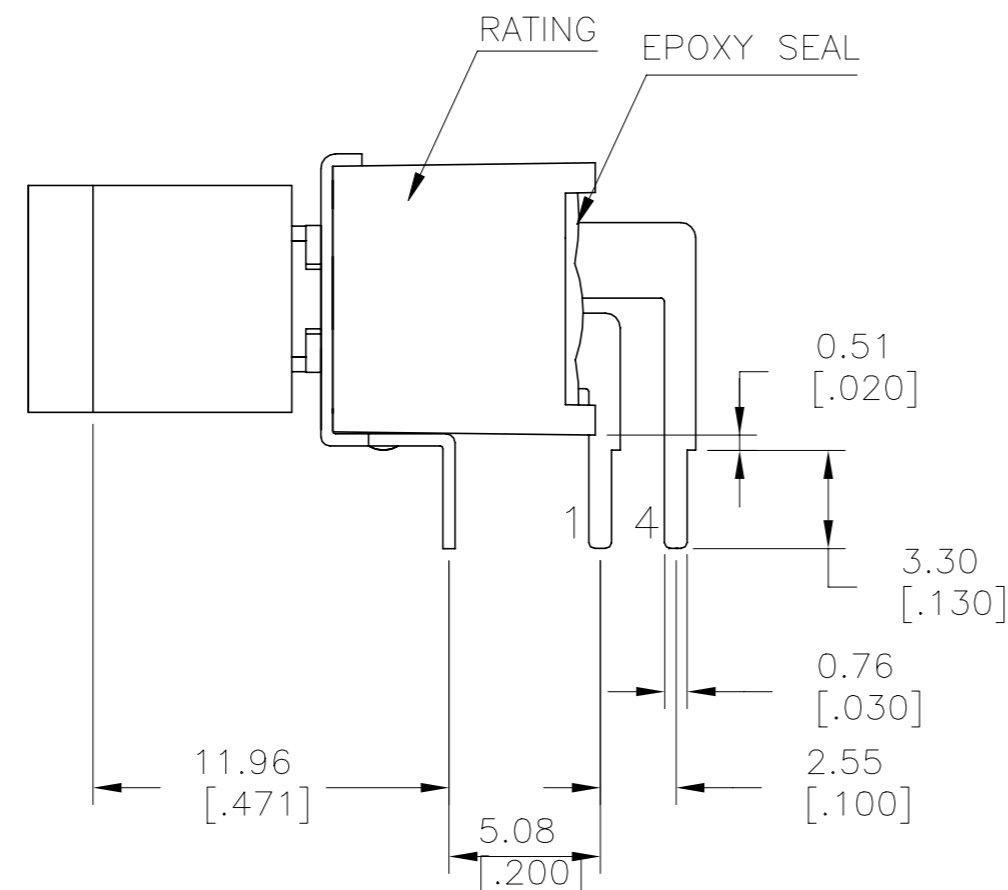
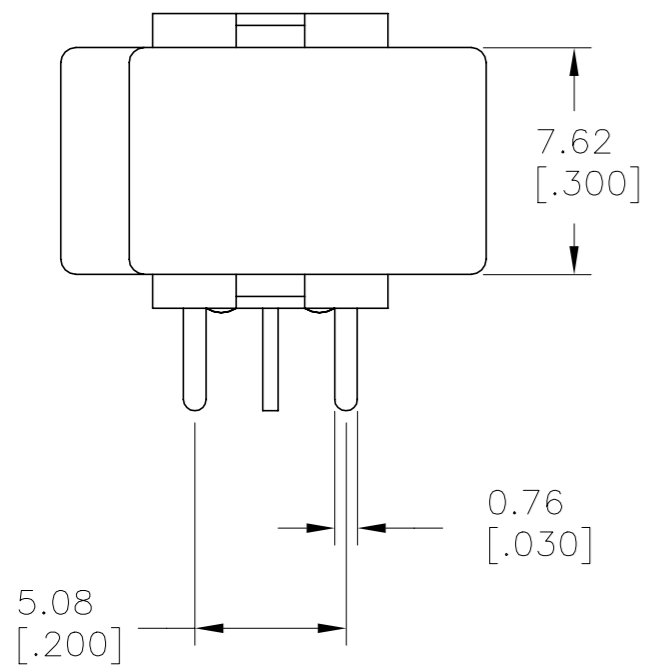
1471-9 (1/15)

2267088

REVISIONS					
P	LTR	DESCRIPTION	DATE	DWN	APVD
-	-	SEE SHEET 1	-	-	-



SPDT M6
RIGHT ANGLE

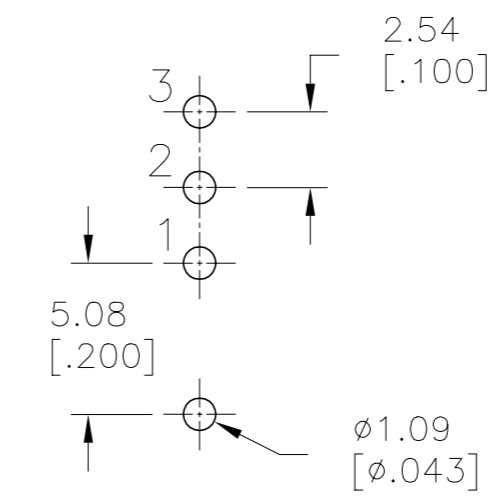
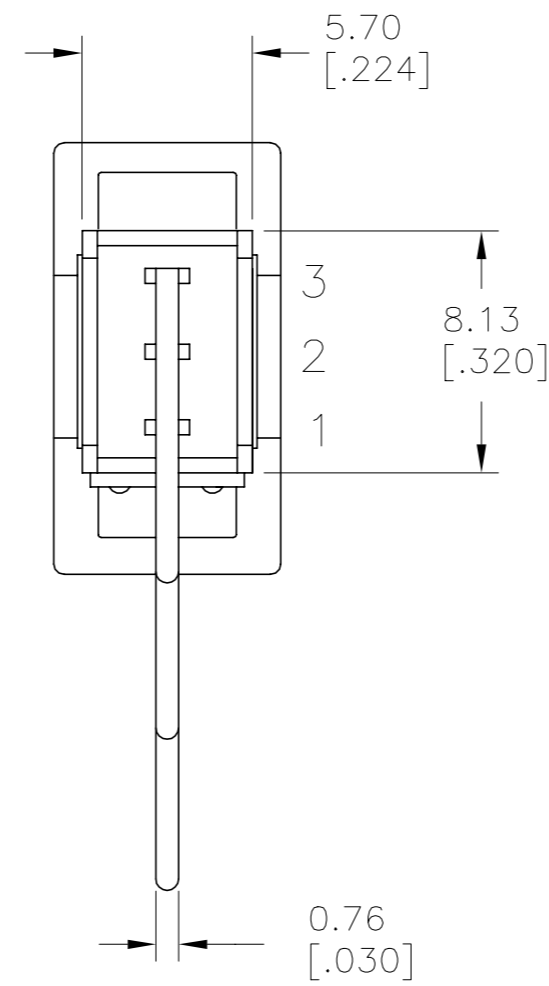
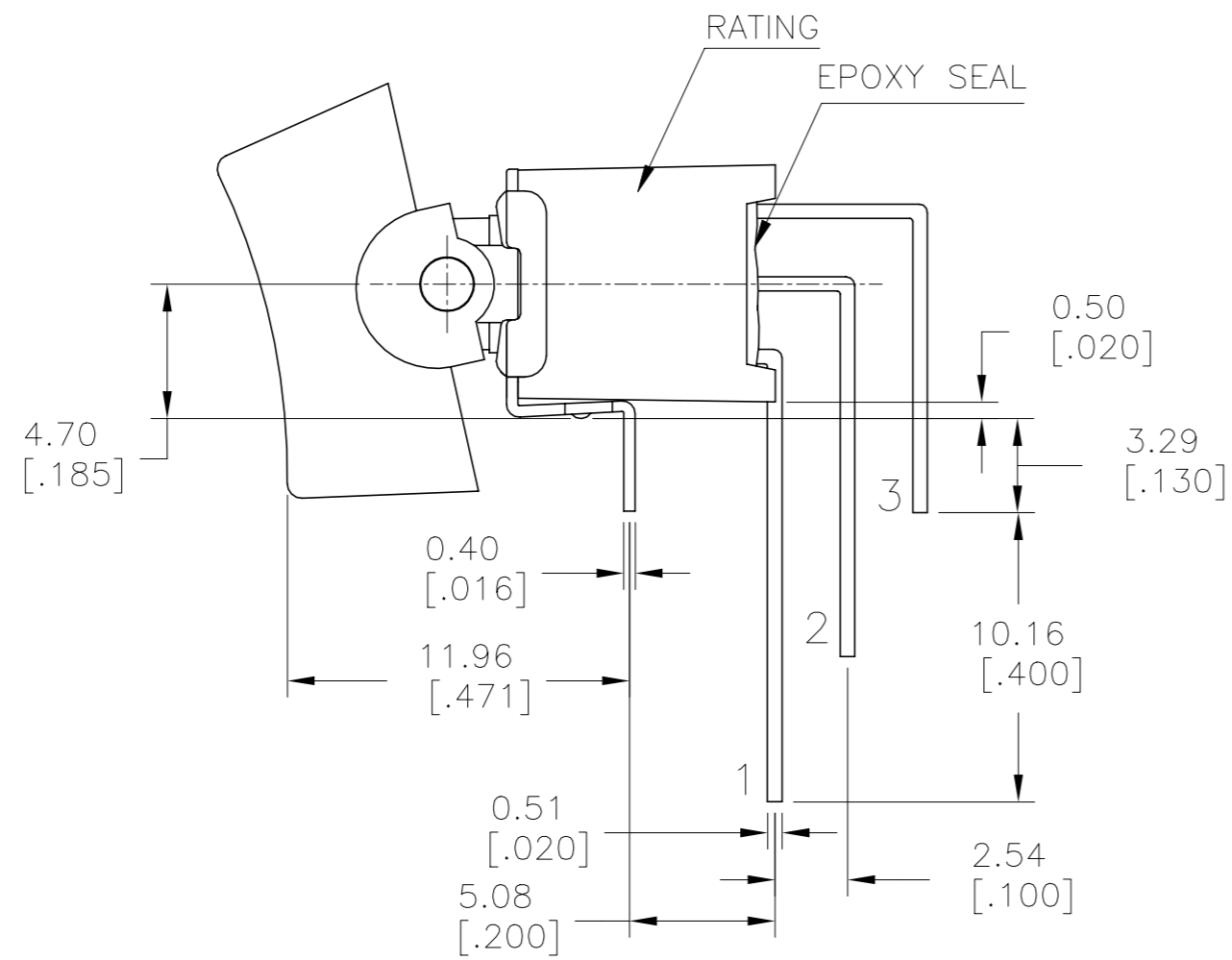
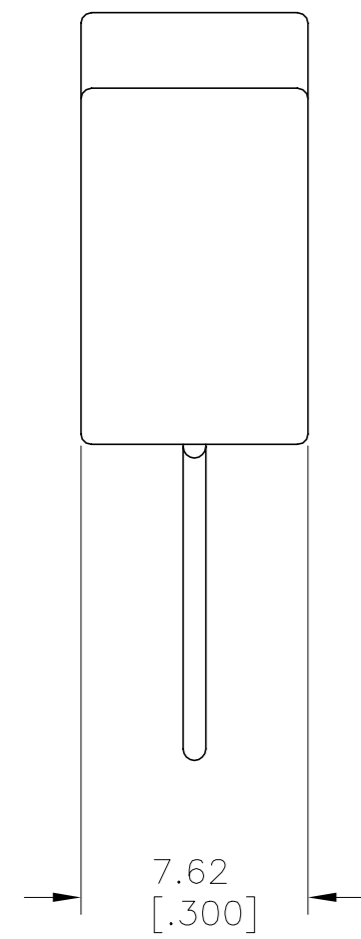


DPDT M6
RIGHT ANGLE

LAYOUT FOR PN 2267088-3 & 4

THIS DRAWING IS A CONTROLLED DOCUMENT.		DWN NAGALAKSHMI K 10JUL2014	TE Connectivity Ltd.		
DIMENSIONS: mm [INCHES]		CHK HILL, RYAN 10JUL2014			
TOLERANCES UNLESS OTHERWISE SPECIFIED:		APVD HILL, RYAN 10JUL2014	PRODUCT SPEC		
0 PLC ± - 1 PLC ± 0.38[.015] 2 PLC ± 0.25[.010] 3 PLC ± - 4 PLC ± - ANGLES ± 5°		APPLICATION SPEC			
MATERIAL		WEIGHT		SIZE A2	CAGE CODE 00779
		FINISH		DRAWING NO C=2267088	
CUSTOMER DRAWING			SCALE 3:1	SHEET 3 of 5	REV A1

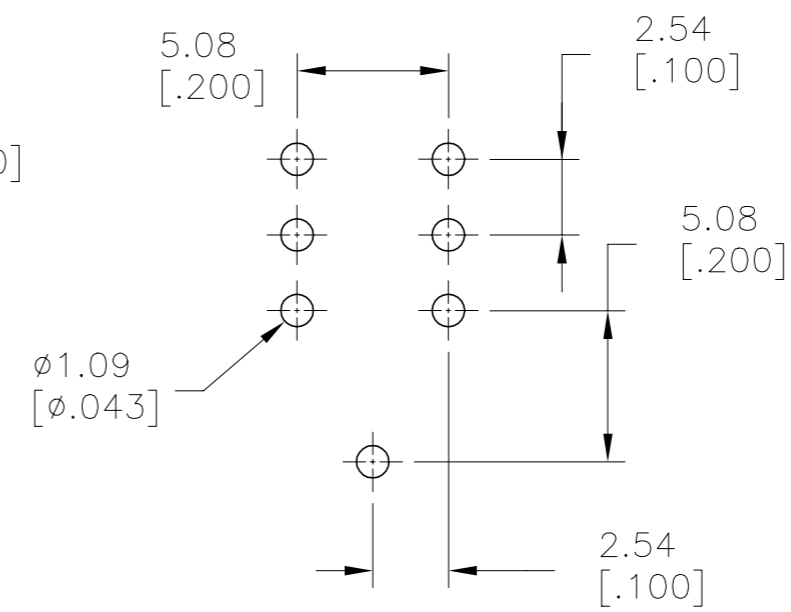
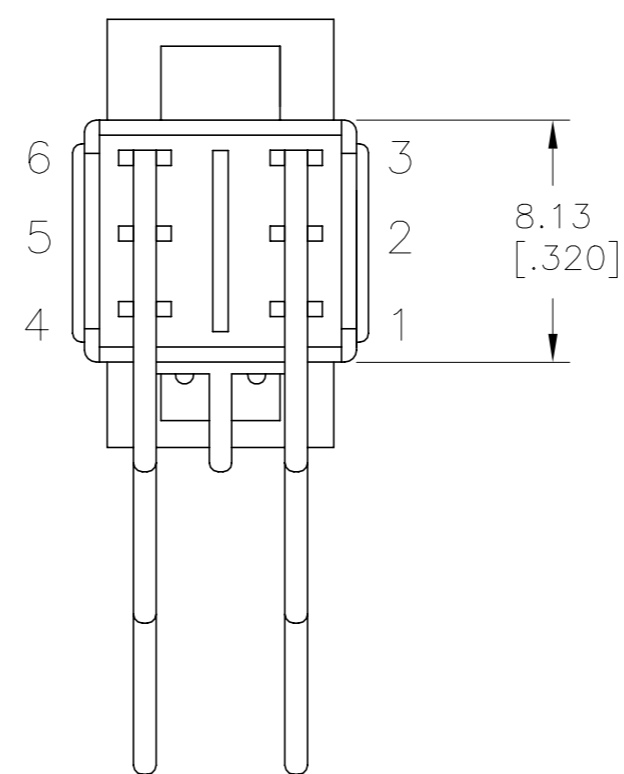
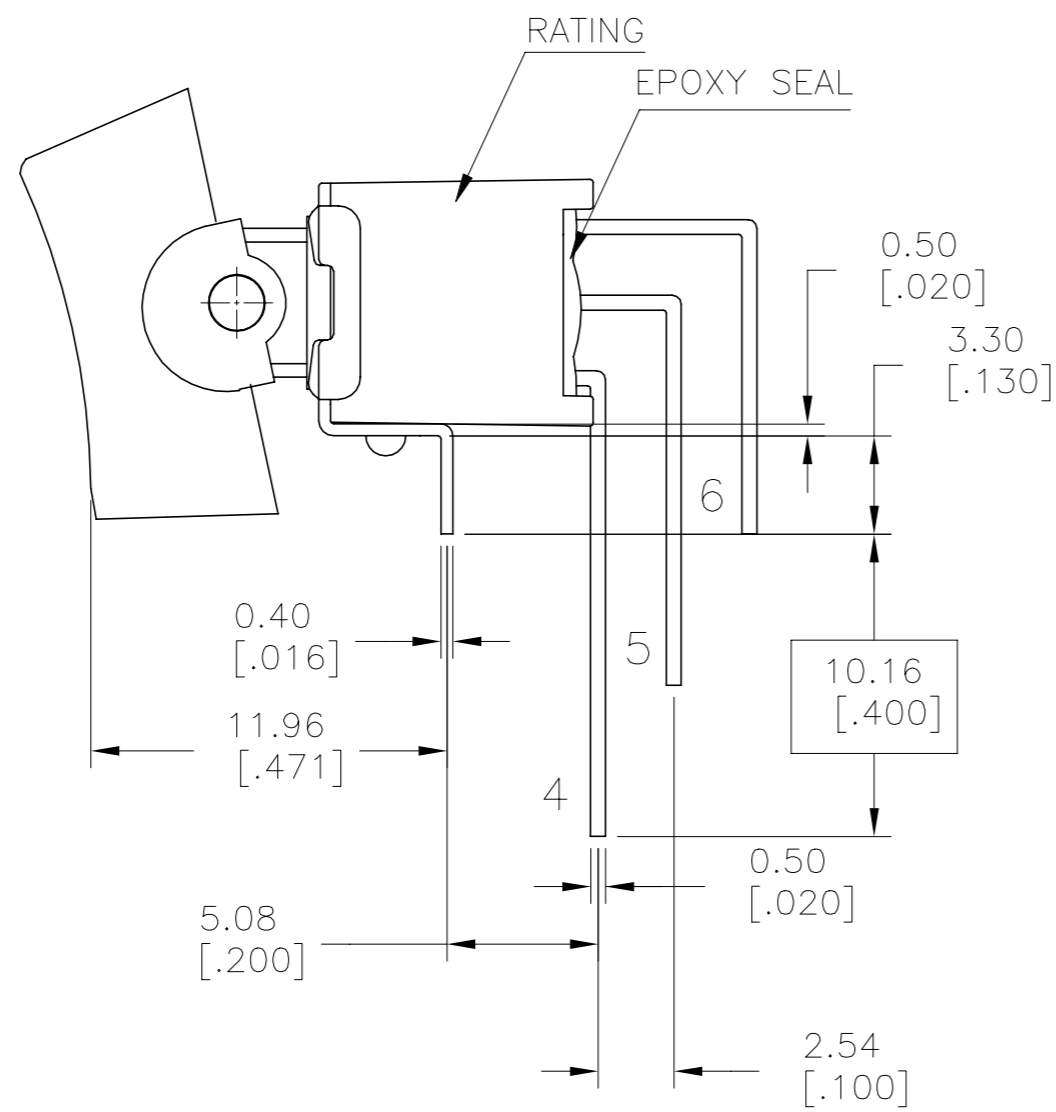
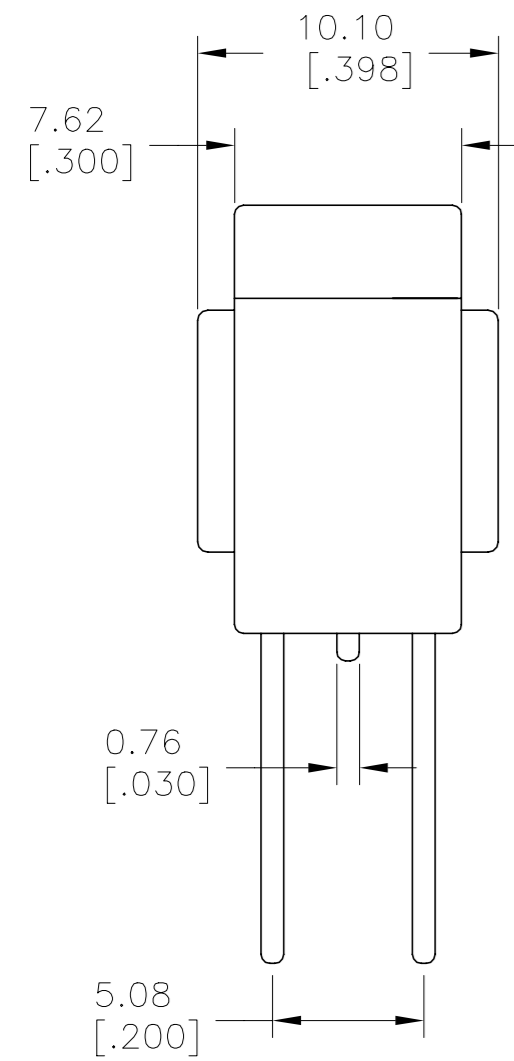
REVISIONS					
P	LTR	DESCRIPTION	DATE	DWN	APVD
-	-	SEE SHEET 1	-	-	-



P.C. MOUNTING

SPDT M7

VERTICAL
RIGHT ANGLE



P.C. MOUNTING

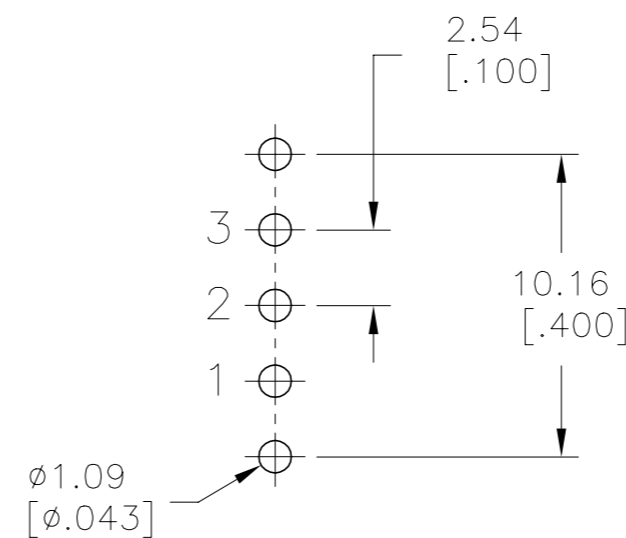
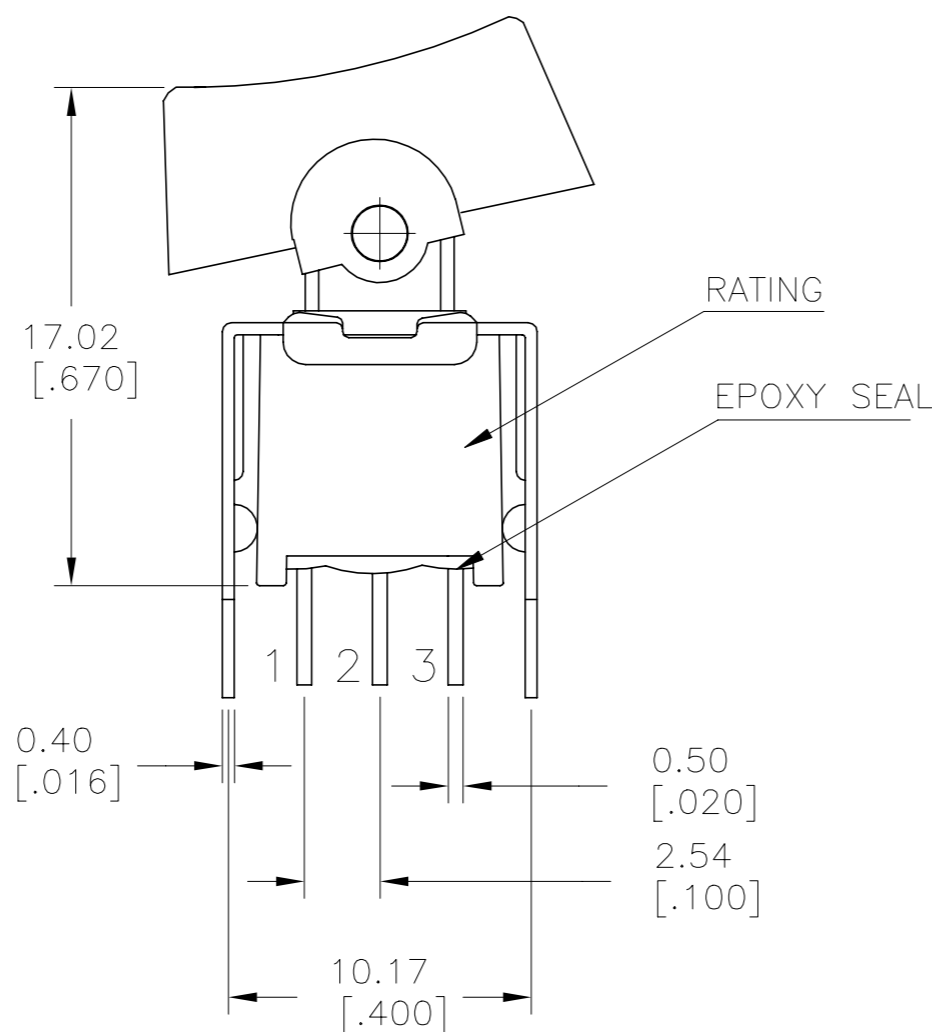
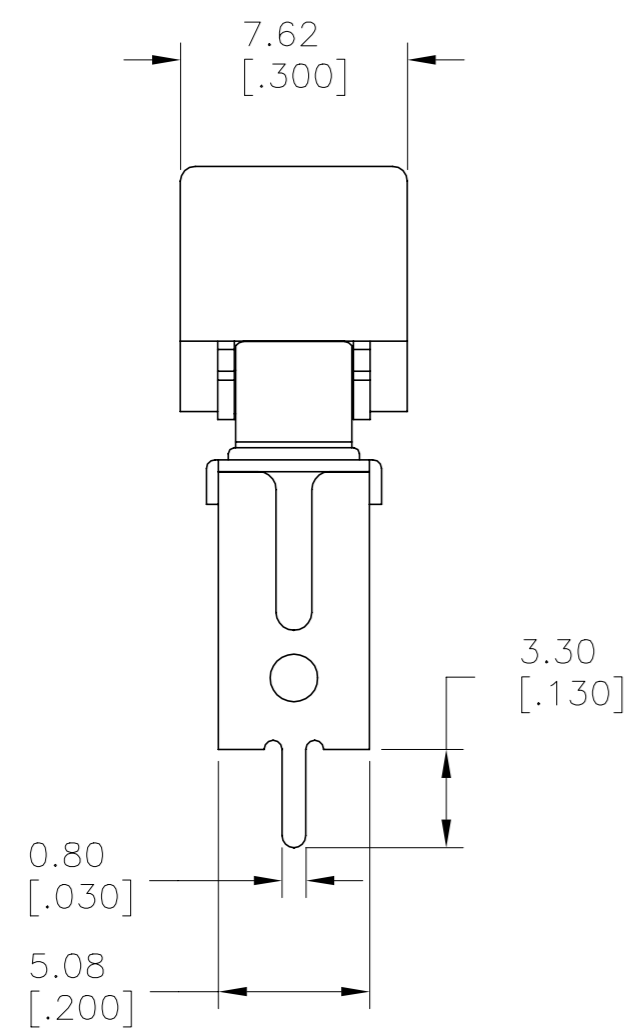
DPDT M7

VERTICAL
RIGHT ANGLE

LAYOUT FOR PN 2267088-5 & 6

THIS DRAWING IS A CONTROLLED DOCUMENT.		DWN NAGALAKSHMI K	10JUL2014	TE Connectivity Ltd.	
DIMENSIONS: mm [INCHES]		CHK HILL, RYAN	10JUL2014		
TOLERANCES UNLESS OTHERWISE SPECIFIED:		APVD HILL, RYAN	10JUL2014	NAME SUBMINIATURE ROCKER SWITCHES	
0 PLC ± -		PRODUCT SPEC		SIZE A2	
1 PLC ± 0.38[.015]		APPLICATION SPEC		CAGE CODE 00779	
2 PLC ± 0.25[.010]		WEIGHT		DRAWING NO C=2267088	
3 PLC ± -		CUSTOMER DRAWING		RESTRICTED TO	
4 PLC ± -		SCALE 3:1		SHEET 4 of 5	
ANGLES ± 5°		REV A1			
FINISH					

REVISIONS					
P	LTR	DESCRIPTION	DATE	DWN	APVD
-	-	SEE SHEET 1	-	-	-



SPDT VS2
VERTICAL V-BRACKET

P.C. MOUNTING

D

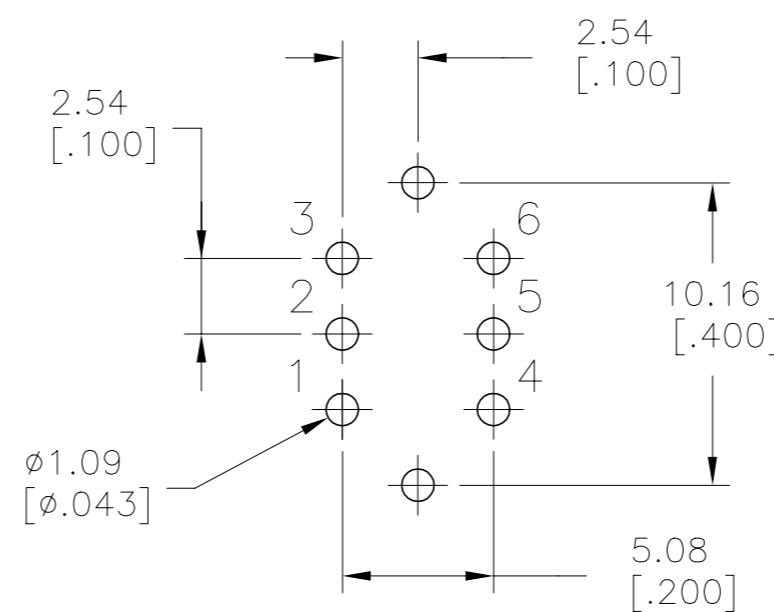
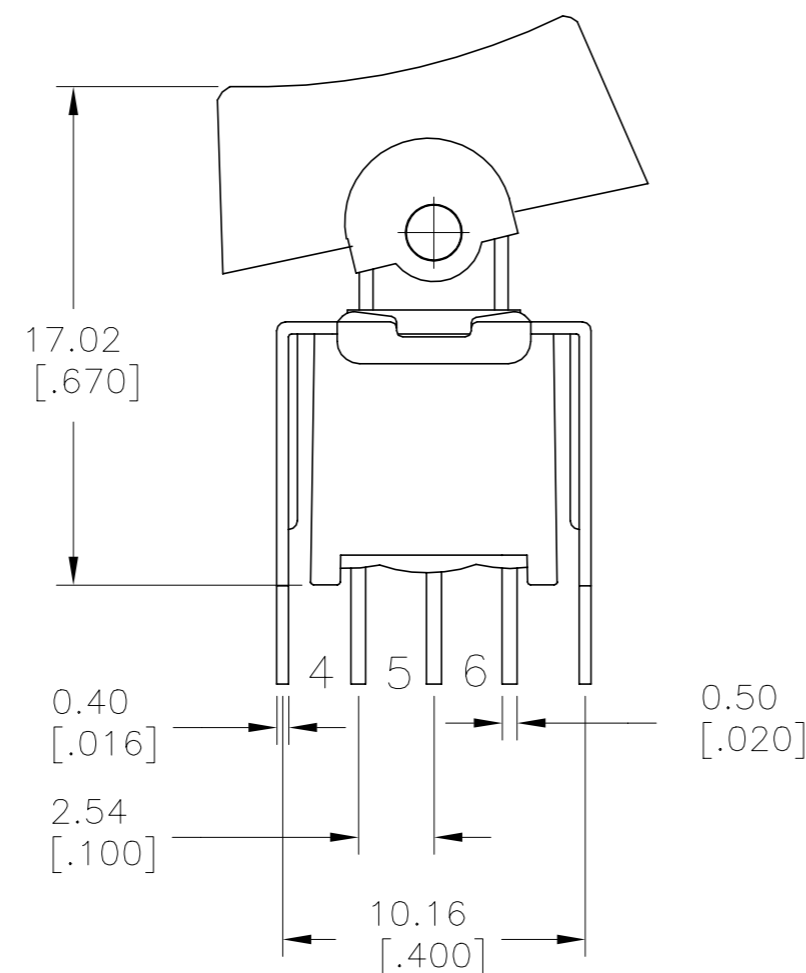
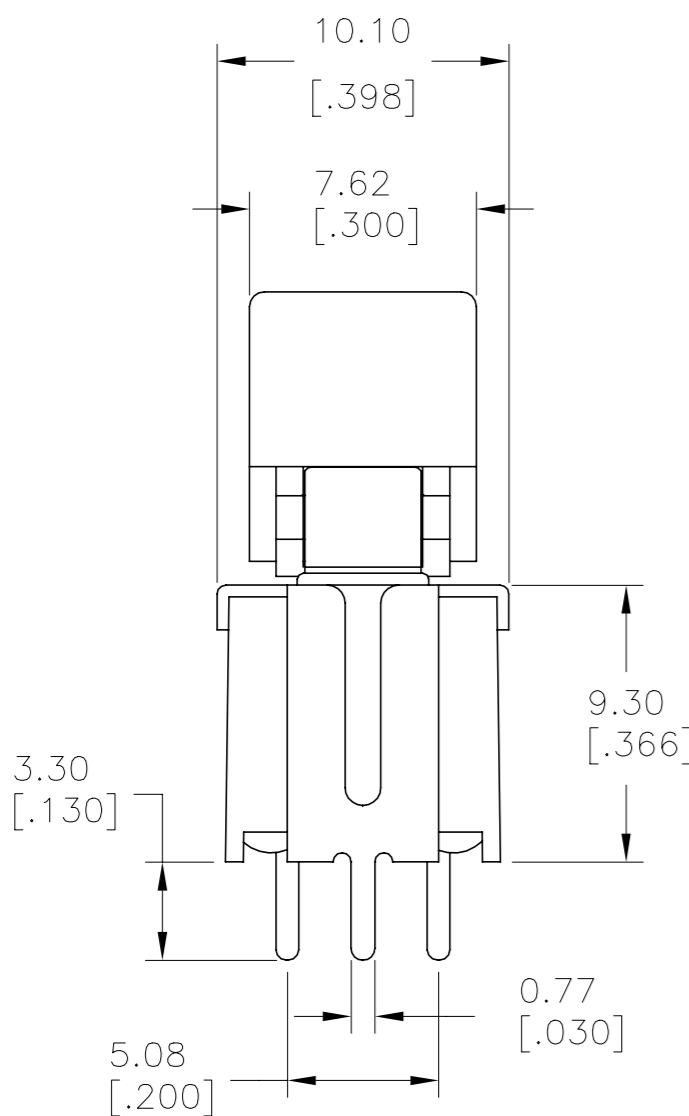
D

C

C

B

B



DPDT VS2
VERTICAL V-BRACKET

P.C. MOUNTING

LAYOUT FOR PN 2267088-7 & 8

2267088

A

A

THIS DRAWING IS A CONTROLLED DOCUMENT.		DWN NAGALAKSHMI K	10JUL2014	TE TE Connectivity Ltd.	
DIMENSIONS: mm [INCHES]		CHK HILL, RYAN	10JUL2014		
TOLERANCES UNLESS OTHERWISE SPECIFIED:		APVD HILL, RYAN	10JUL2014	NAME SUBMINIATURE ROCKER SWITCHES	
0 PLC ± -		PRODUCT SPEC		SIZE A2	
1 PLC ± 0.38[.015]		APPLICATION SPEC		CAGE CODE 00779	
2 PLC ± 0.25[.010]		WEIGHT		DRAWING NO C=2267088	
3 PLC ± -		CUSTOMER DRAWING		RESTRICTED TO	
4 PLC ± -		SCALE 3:1		SHEET 5 of 5	
ANGLES ± 5°		REV A1			
MATERIAL					
FINISH					

X-ON Electronics

Largest Supplier of Electrical and Electronic Components

Click to view similar products for [Rocker Switches](#) category:

Click to view products by [TE Connectivity](#) manufacturer:

Other Similar products are found below :

[VKD2GHNB-00000-000](#) [VSD2GNNB-00000-000](#) [6-1571986-5](#) [6-1571986-9](#) [8055K52Z7V](#) [8138K20E6M50](#) [FMC18A2200002](#) [84206L](#)
[84312LX](#) [PREDD4-07F-BB0FW](#) [PREDD5-07F-BB0GW](#) [PRFDD1-16F-BB000](#) [PRFDD3-16F-BB000](#) [1-1634201-0](#) [999-16702-001](#)
[A101J2ZQ004](#) [A101J4ZQ004](#) [A101J51CB0004](#) [A107J51ZQ0004](#) [A201J1AQ004](#) [A201J1AV2Q004](#) [A201J3ZB004](#) [A201J50ZQ004](#)
[A203J51ZQ0004](#) [A226L11YZQ](#) [A22L11A](#) [A435S1YZQ](#) [H8500XBBBBL-A](#) [H8653VBBG2577W](#) [HB130CHNWWNAAC](#) [1251.0303](#)
[AE205J60V3B004](#) [RH110C2NBB](#) [1352.0107](#) [1363.0201](#) [AML25GBF2AA03GR](#) [1571099-3](#) [1571987-4](#) [1571987-5](#) [1571989-7](#)
[B123J77V7B2](#) [B226J50W4Q22P](#) [B433J37ZQ22M](#) [160212E](#) [1801.1164](#) [1831.1102](#) [1833.3402](#) [1837.1118](#) [1838.8302](#) [1839.1502](#)