

REVISIONS					
P	LTR	DESCRIPTION	DATE	DWN	APVD
	A1	REVISED PER ECO-20-005258	15APR2020	SR	JB

SPECIFICATIONS

MECHANICAL LIFE: 30,000 MAKE-AND-BREAK CYCLES.

CONTACT RESISTANCE: 20 mΩ MAX. INITIAL @ 2-4VDC  
100mA FOR BOTH SILVER AND GOLD PLATED CONTACTS.

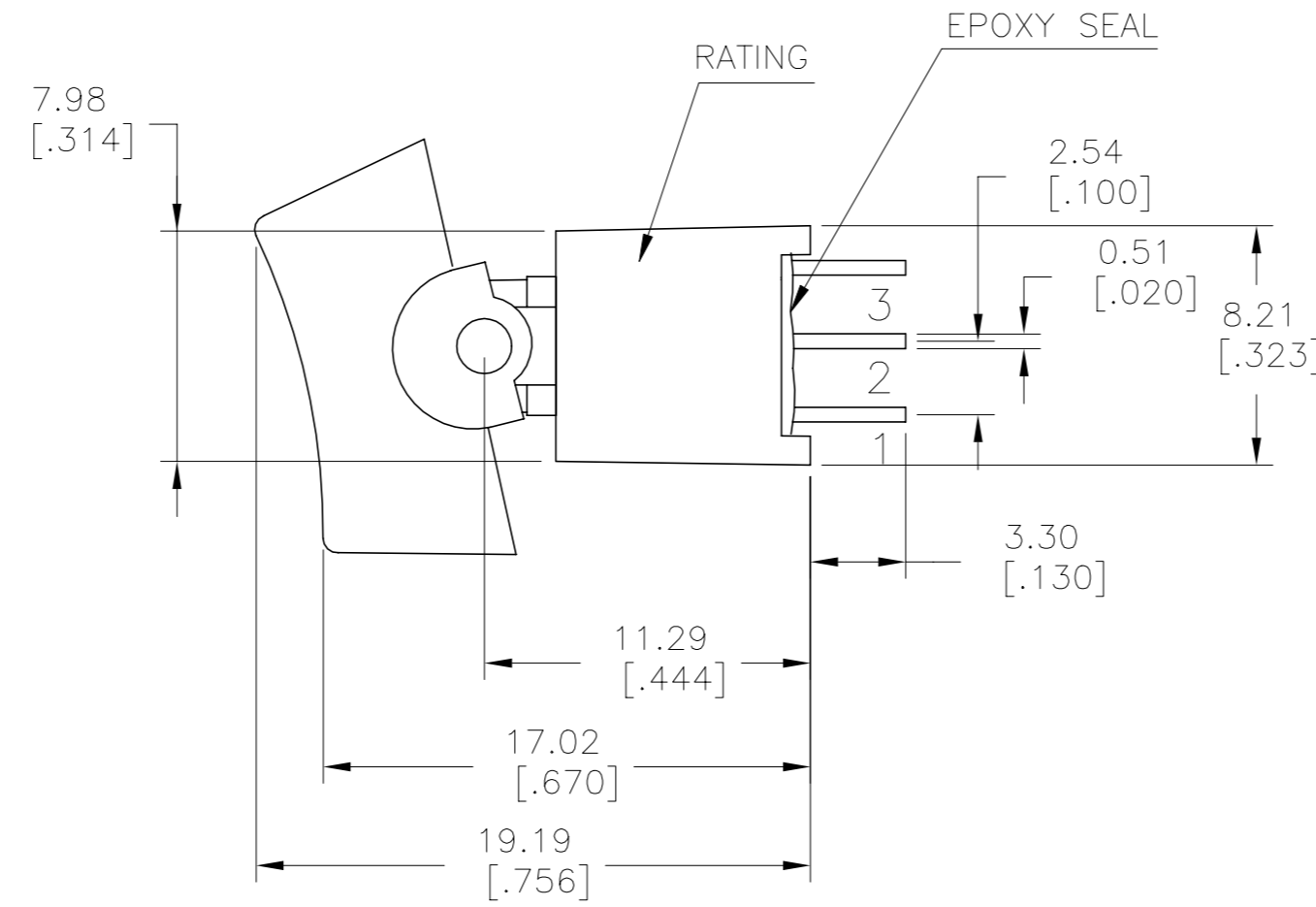
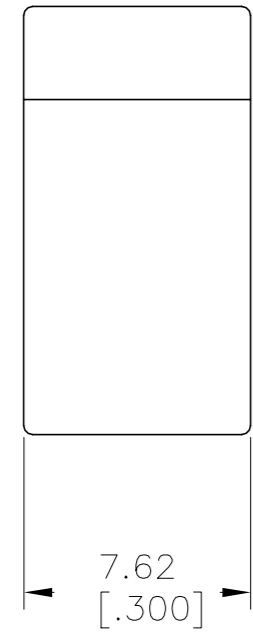
CONTACT RATING: GOLD-0.4 VA MAX @ 20 V MAX (AC OR DC)  
SILVER-3 A @ 120 VAC OR 28 VDC  
1 A @ 250 VAC

INSULATION RESISTANCE: 1,000 MΩ MIN.

DIELECTRIC STRENGTH: 1,000 Vrms @SEA LEVEL.

OPERATING TEMPERATURE: -30°C TO 85°C.

SEALED PER: IP67



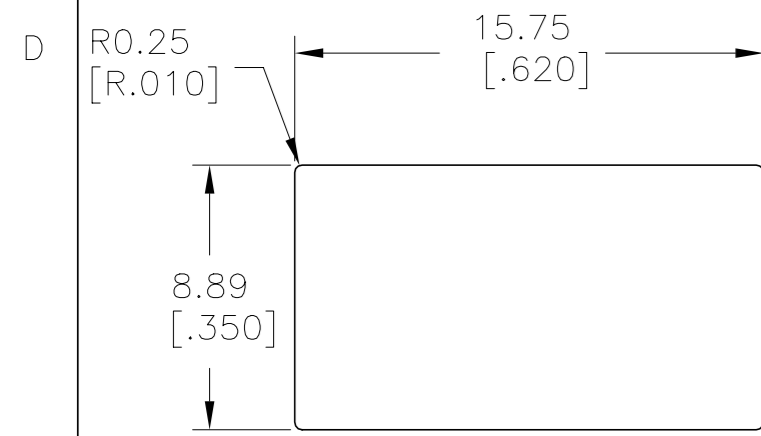
SILVER	2-1,5-4	2-3,5-6	ON-ON	V-BRACKET	VERTICAL	2	2	RAD1R102VS2QES	2267088-8
GOLD	2-1	2-3	ON-ON	V-BRACKET	VERTICAL	1	2	RAS1R102VS2RES	2267088-7
GOLD	2-1,5-4	2-3,5-6	ON-ON	PC THROUGH HOLE	VERTICAL RIGHT ANGLE	2	2	RAD1R102M7RES	2267088-6
GOLD	2-1	2-3	ON-ON	PC THROUGH HOLE	VERTICAL RIGHT ANGLE	1	2	RAS1R102M7RES	2267088-5
SILVER	2-1,5-4	2-3,5-6	ON-ON	PC THROUGH HOLE	RIGHT ANGLE	2	2	RAD1R102M6QES	2267088-4
SILVER	2-1	2-3	ON-ON	PC THROUGH HOLE	RIGHT ANGLE	1	2	RAS1R202M6QES	2267088-3
SILVER	2-1,5-4	2-3,5-6	ON-ON	PC THROUGH HOLE	VERTICAL	2	2	RAD1R102M2QES	2267088-2
GOLD	2-1	2-3	ON-ON	PC THROUGH HOLE	VERTICAL	1	2	RAS1R102M2RES	2267088-1
CONTACT MATERIAL	POS 2	POS 1	FUNCTION	TERMINATION	MOUNT ANGLE	POLES	THROWS	DESCRIPTIVE PN	TE PN

THIS DRAWING IS A CONTROLLED DOCUMENT.

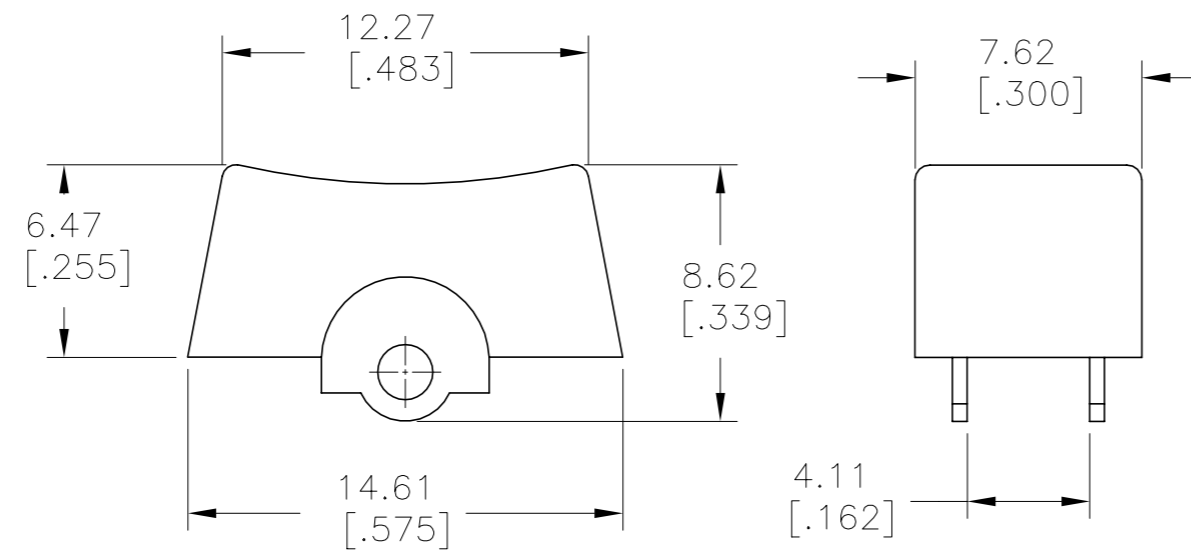
DIMENSIONS: mm [INCHES]	TOLERANCES UNLESS OTHERWISE SPECIFIED:	DWN NAGALAKSHMI K 10JUL2014	TE Connectivity Ltd.	
	0 PLC ± -	CHK HILL, RYAN 10JUL2014	NAME	
	1 PLC ± 0.38[.015]	APVD HILL, RYAN 10JUL2014	SUBMINIATURE ROCKER SWITCHES	
	2 PLC ± 0.25[.010]	PRODUCT SPEC	SIZE	CAGE CODE
	3 PLC ± -	APPLICATION SPEC	A2	00779
	4 PLC ± -	WEIGHT	SCALE	DRAWING NO
	ANGLES ± 5°	RESTRICTED TO	3:1	C=2267088
MATERIAL	FINISH	CUSTOMER DRAWING	SHEET	REV
			1 of 5	A1

REVISIONS					
P	LTR	DESCRIPTION	DATE	DWN	APVD
-	-	SEE SHEET 1	-	-	-

# ACTUATOR OPTIONS

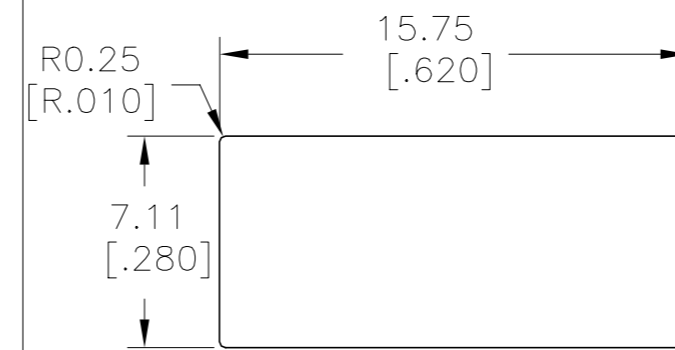


PANEL MOUNTING

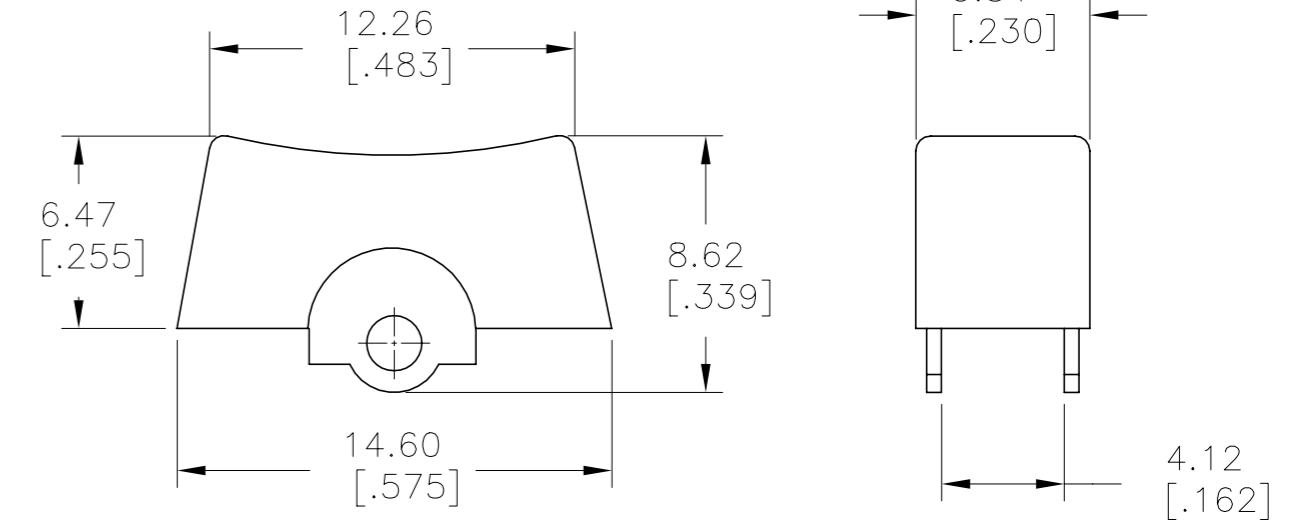


R1

WIDE ACTUATOR



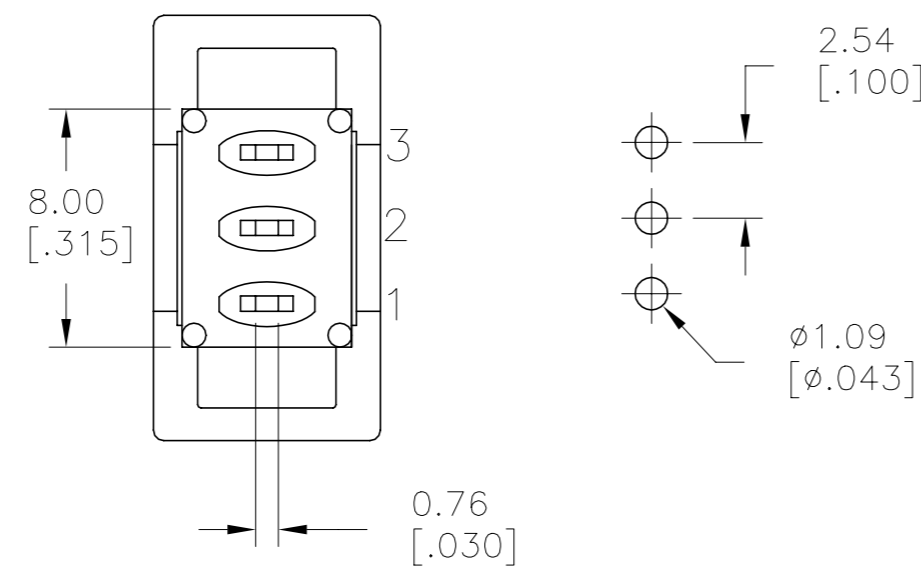
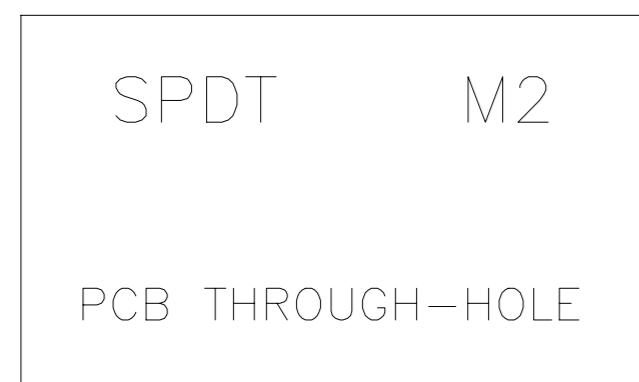
PANEL MOUNTING



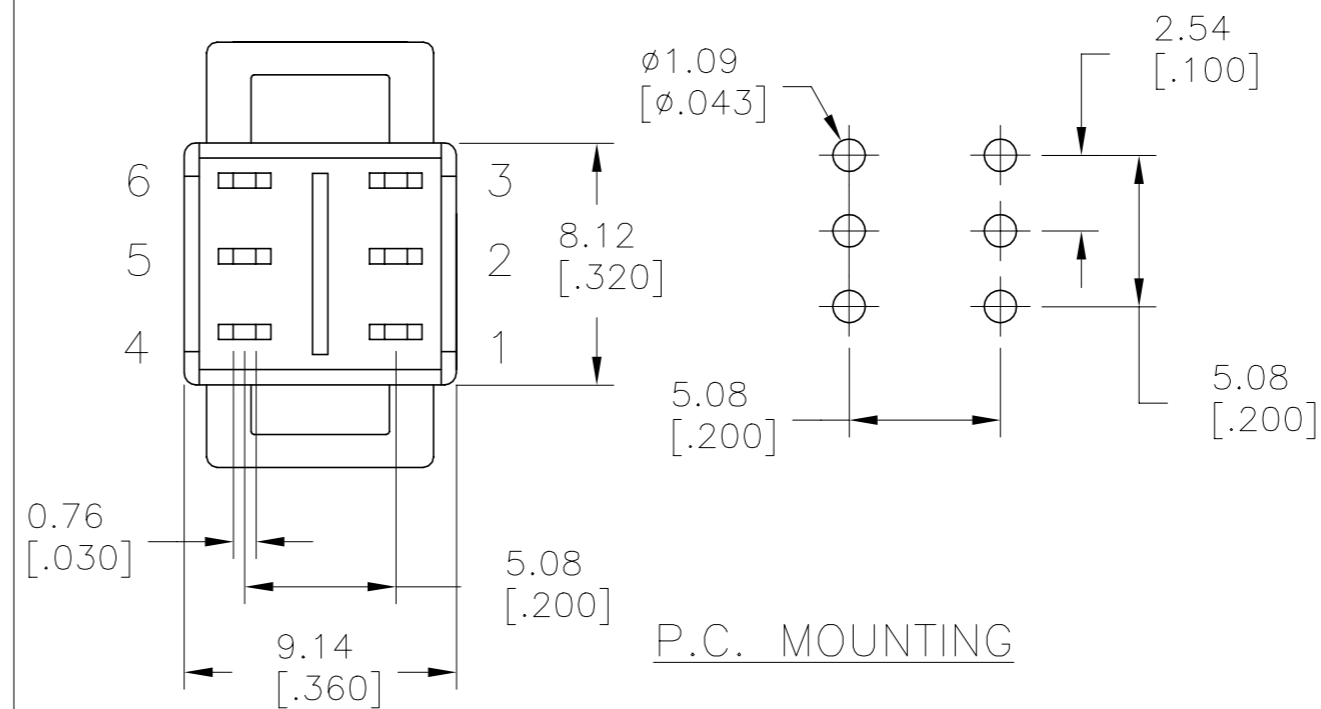
R2

NARROW ACTUATOR

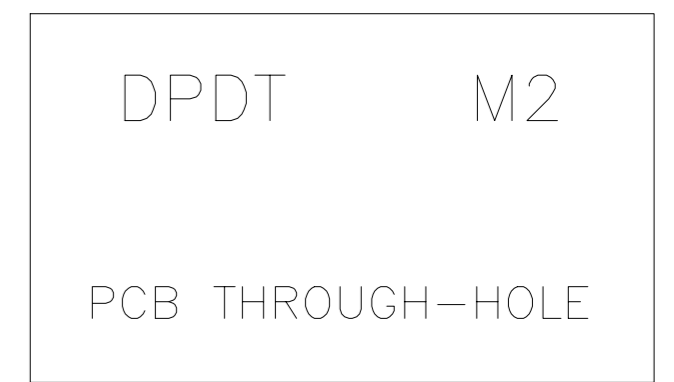
# TERMINATION OPTIONS



P.C. MOUNTING



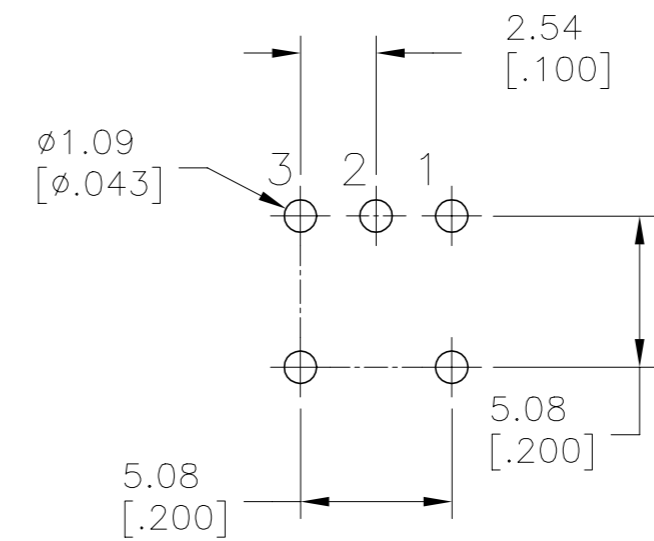
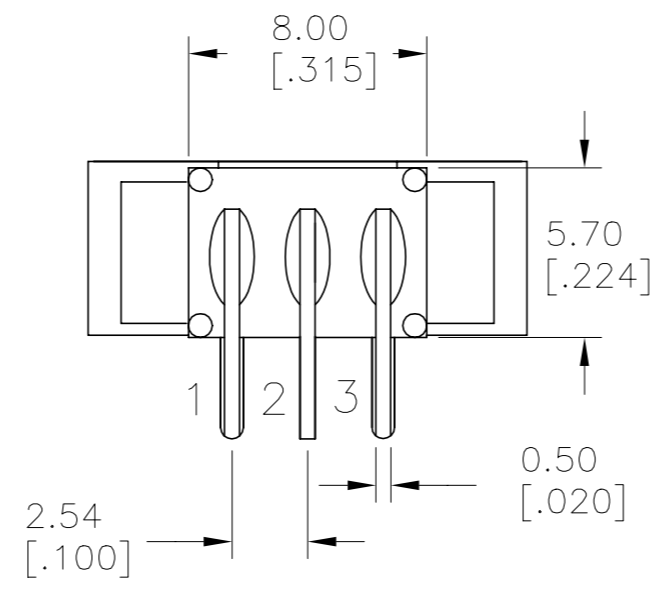
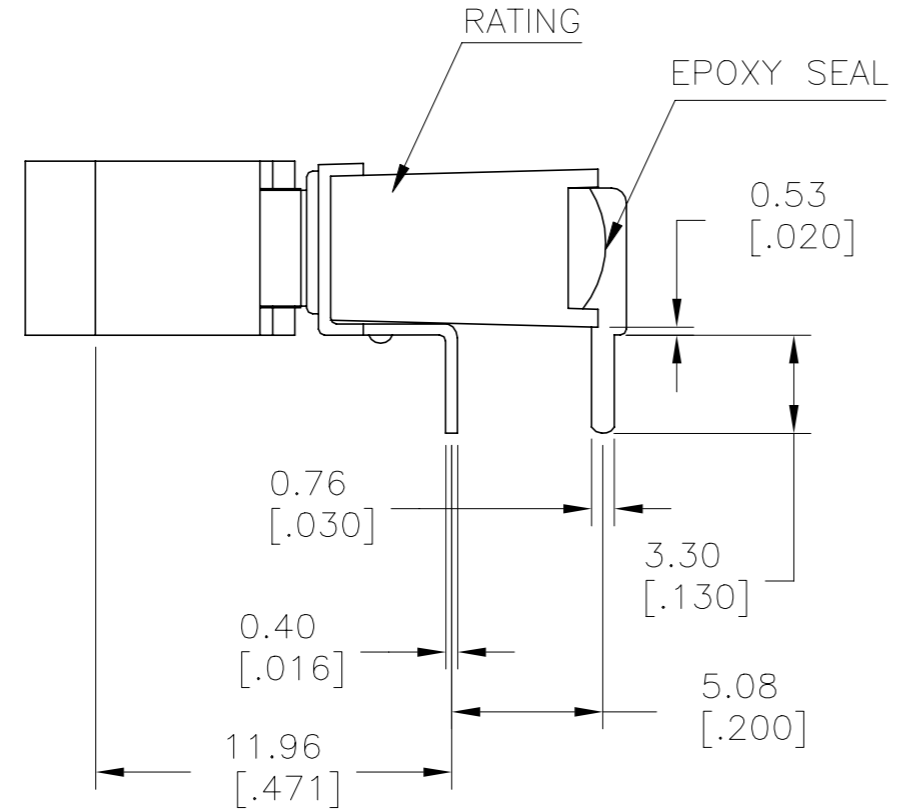
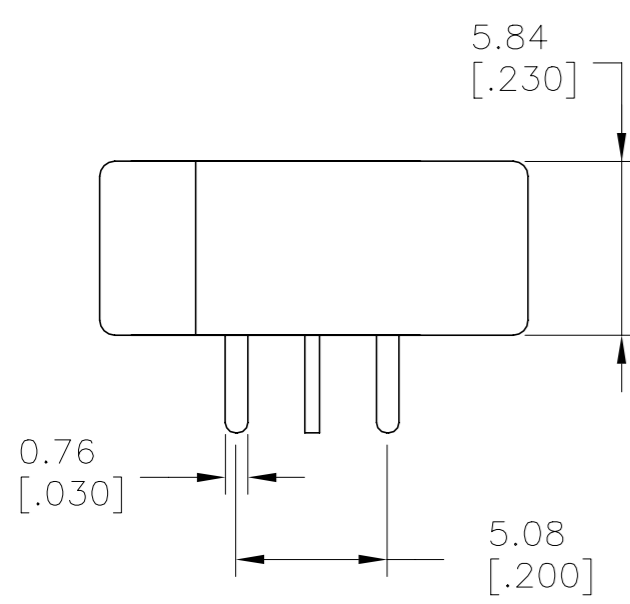
P.C. MOUNTING



LAYOUT FOR PN 2267088-1 & 2

THIS DRAWING IS A CONTROLLED DOCUMENT.		DWN NAGALAKSHMI K 10JUL2014	<b>TE</b> TE Connectivity Ltd.	
DIMENSIONS: mm [INCHES]		CHK HILL, RYAN 10JUL2014		
TOLERANCES UNLESS OTHERWISE SPECIFIED:		APVD HILL, RYAN 10JUL2014	NAME SUBMINIATURE ROCKER SWITCHES	
0 PLC ± -		PRODUCT SPEC	SIZE A2	
1 PLC ± 0.38[.015]		APPLICATION SPEC	CAGE CODE 00779	DRAWING NO C=2267088
2 PLC ± 0.25[.010]		WEIGHT	RESTRICTED TO	
3 PLC ± -		CUSTOMER DRAWING	SCALE 3:1	SHEET 2 of 5
4 PLC ± -			REV A1	
ANGLES ± 5°				
MATERIAL				
FINISH				

REVISIONS					
P	LTR	DESCRIPTION	DATE	DWN	APVD
-	-	SEE SHEET 1	-	-	-



SPDT M6  
RIGHT ANGLE

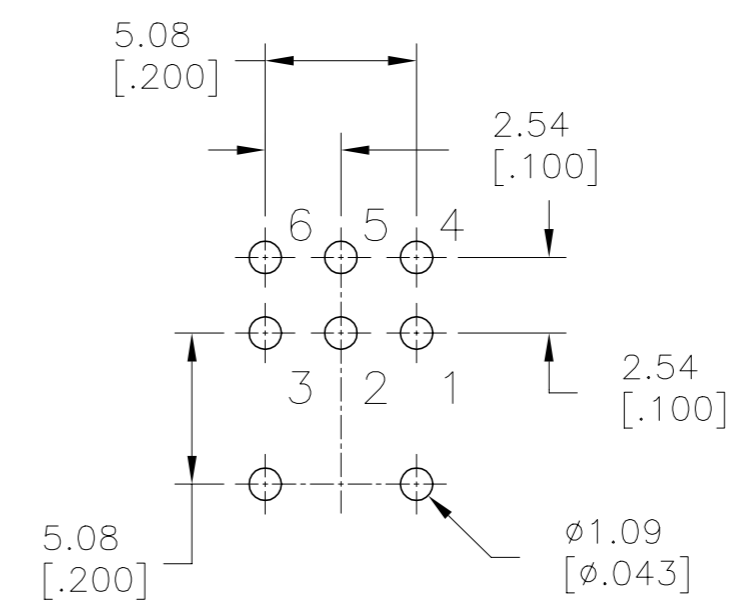
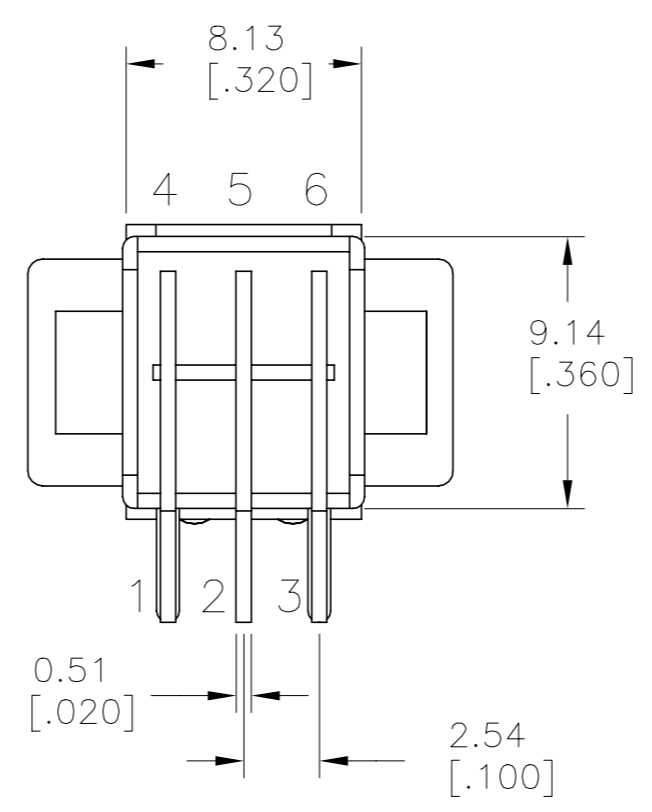
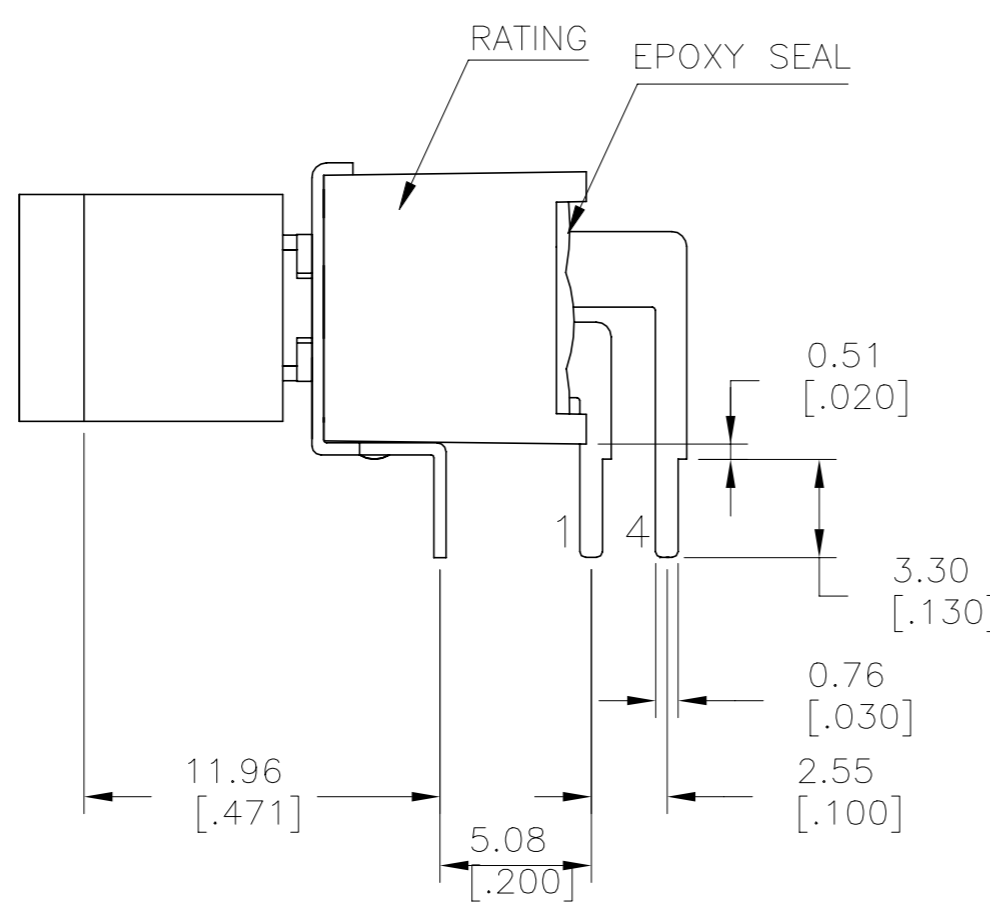
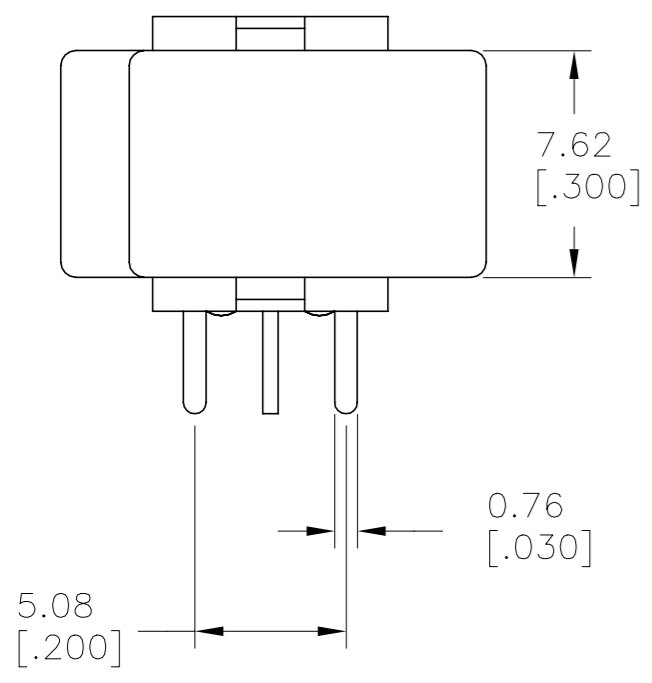
P.C. MOUNTING

C

C

B

B



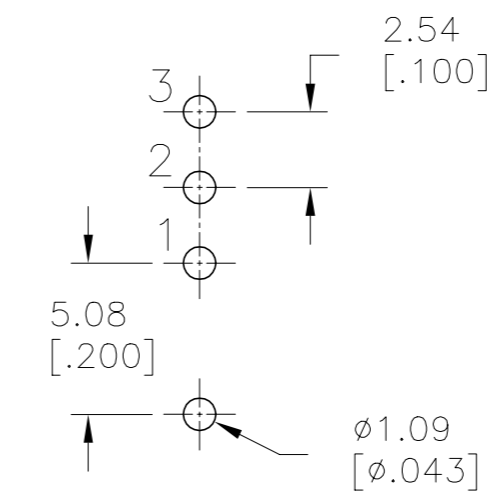
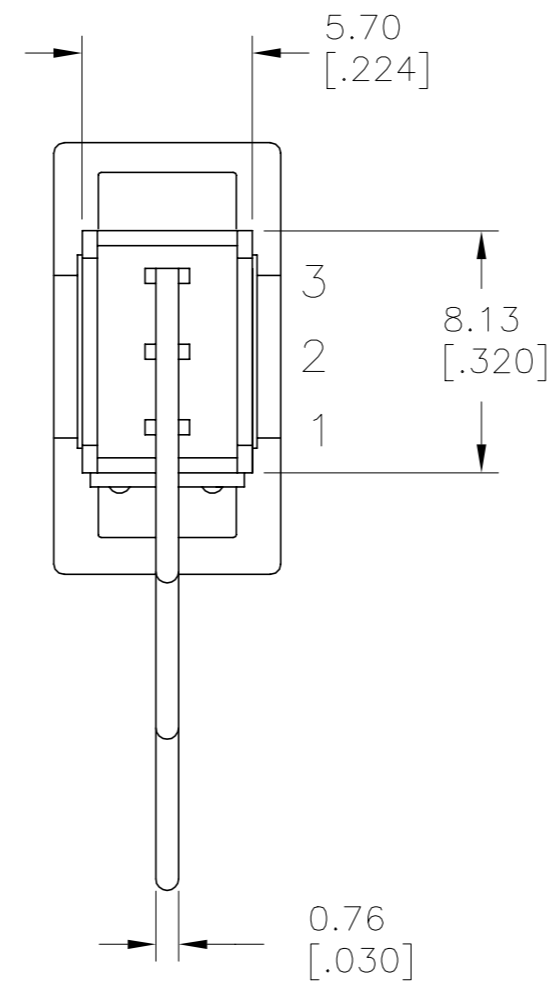
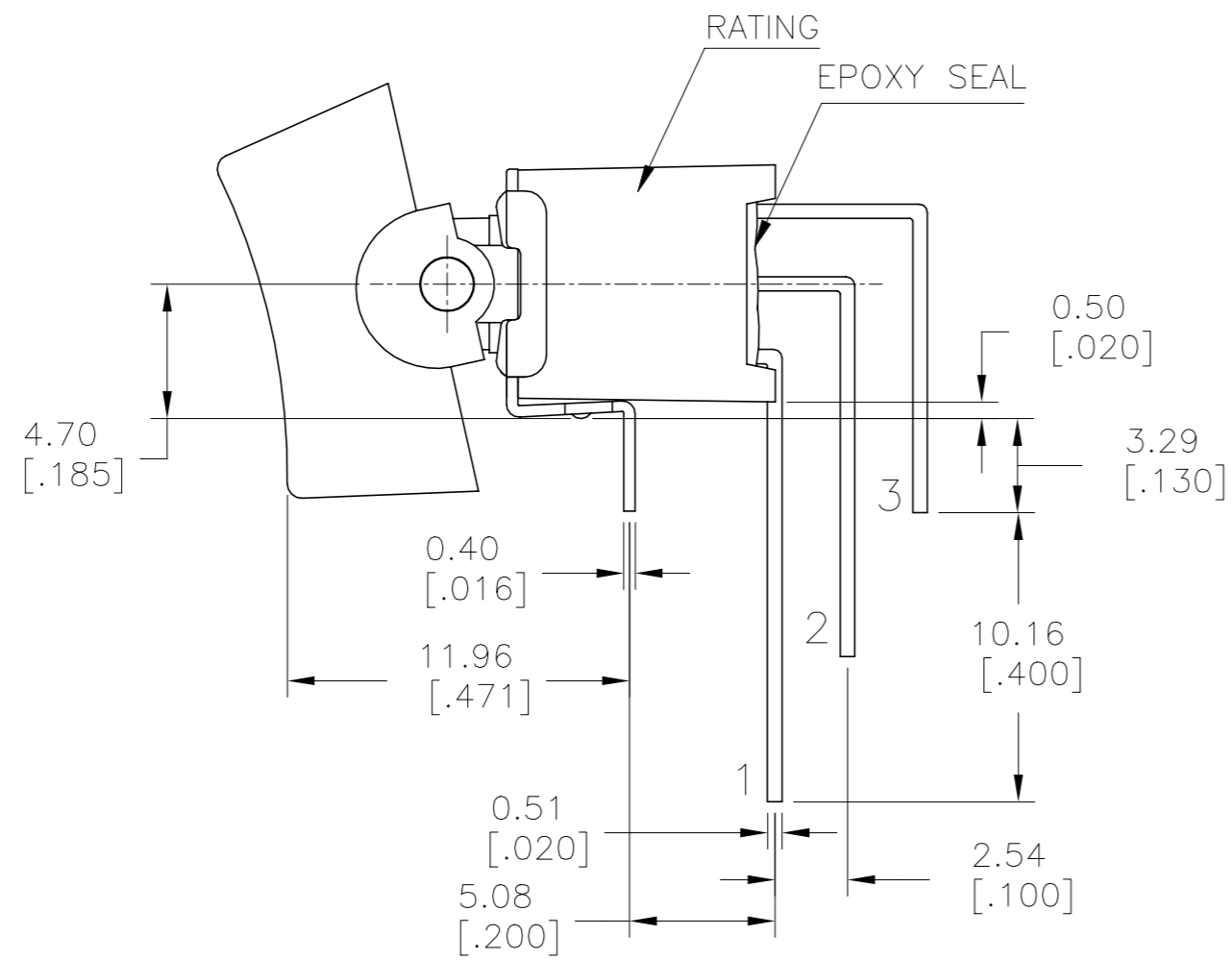
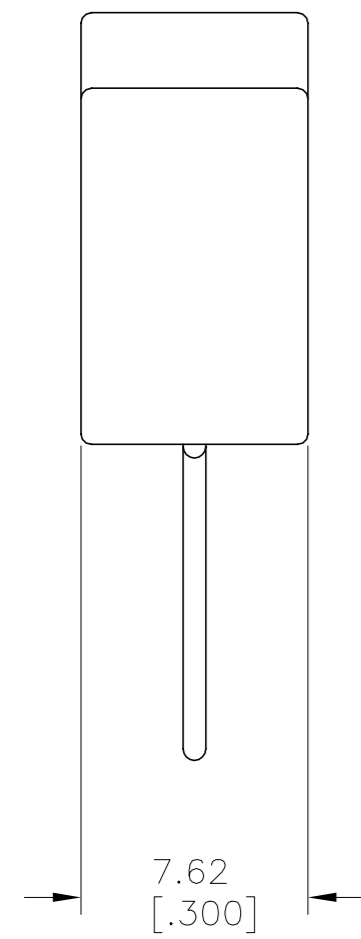
DPDT M6  
RIGHT ANGLE

P.C. MOUNTING

LAYOUT FOR PN 2267088-3 & 4

THIS DRAWING IS A CONTROLLED DOCUMENT.		DWN NAGALAKSHMI K 10JUL2014	TE Connectivity Ltd.	
DIMENSIONS: mm [INCHES]		CHK HILL, RYAN 10JUL2014		
TOLERANCES UNLESS OTHERWISE SPECIFIED:		APVD HILL, RYAN 10JUL2014	NAME SUBMINIATURE ROCKER SWITCHES	
0 PLC ± -		PRODUCT SPEC	SIZE A2	
1 PLC ± 0.38[015]		APPLICATION SPEC	CAGE CODE 00779	DRAWING NO C=2267088
2 PLC ± 0.25[010]		WEIGHT	RESTRICTED TO	
3 PLC ± -			SCALE 3:1	SHEET 3 of 5
4 PLC ± -			REV A1	
ANGLES ± 5°				
MATERIAL			CUSTOMER DRAWING	

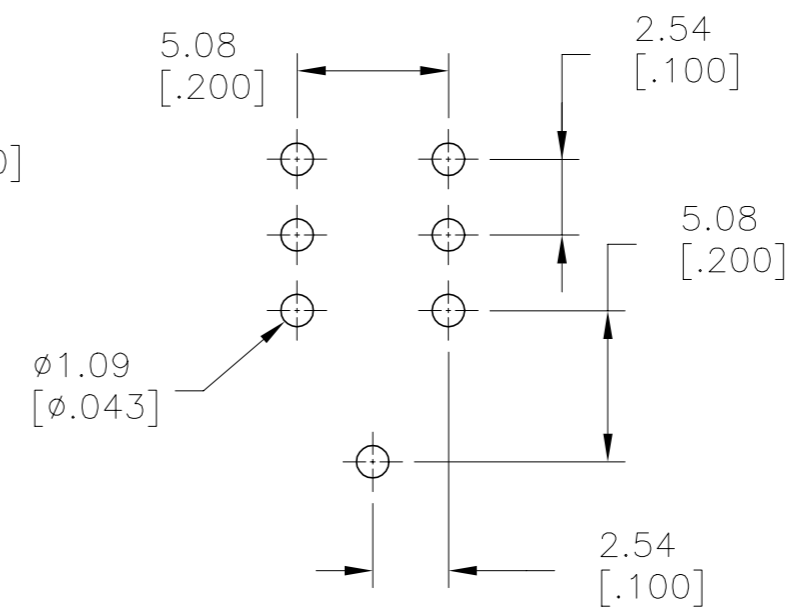
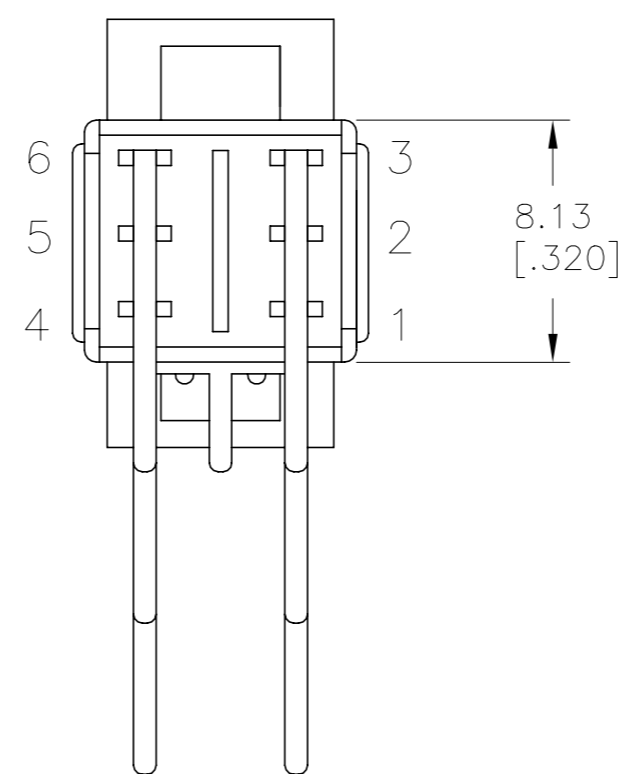
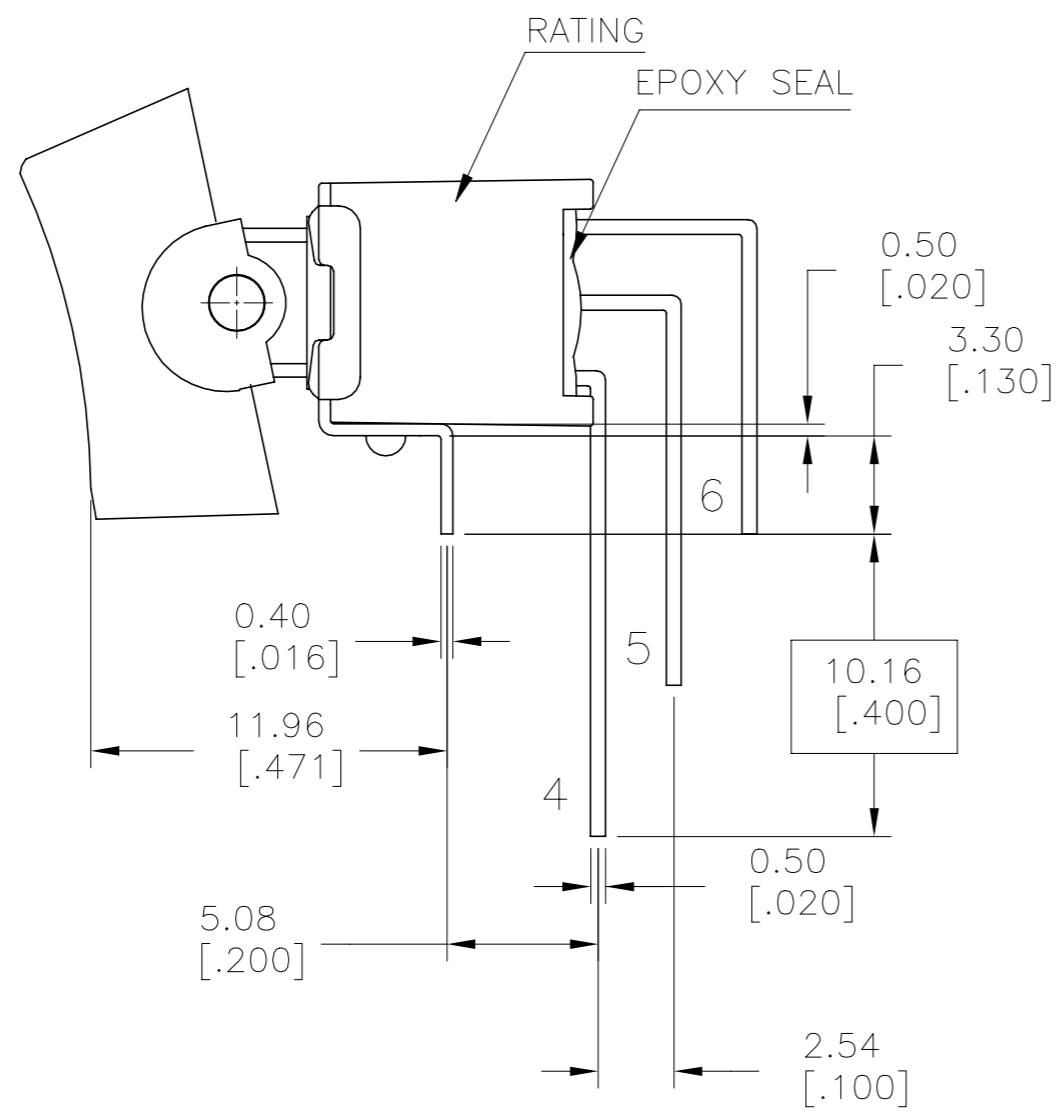
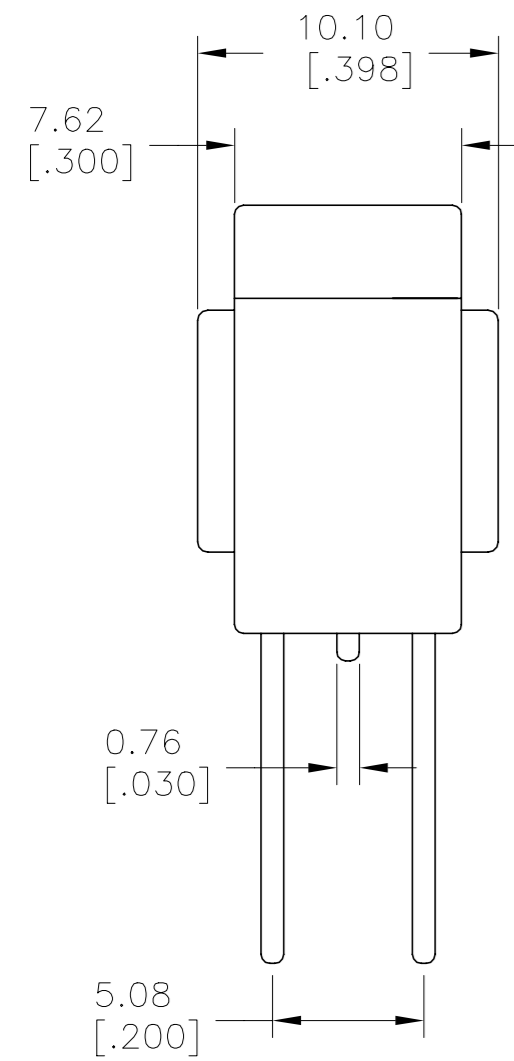
REVISIONS					
P	LTR	DESCRIPTION	DATE	DWN	APVD
-	-	SEE SHEET 1	-	-	-



P.C. MOUNTING

SPDT M7

VERTICAL  
RIGHT ANGLE



P.C. MOUNTING

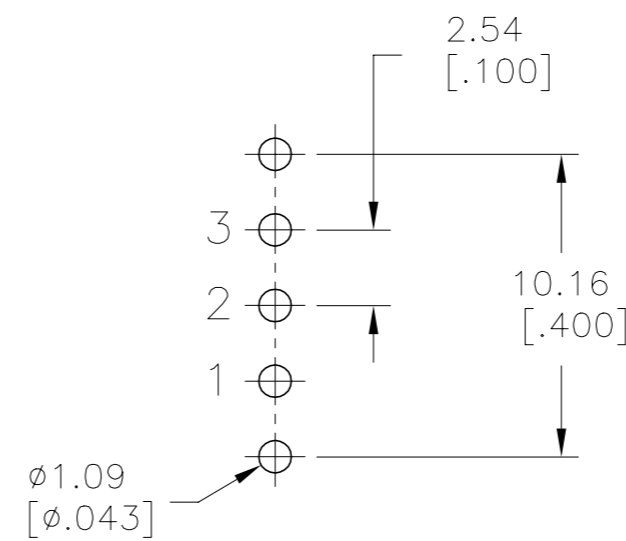
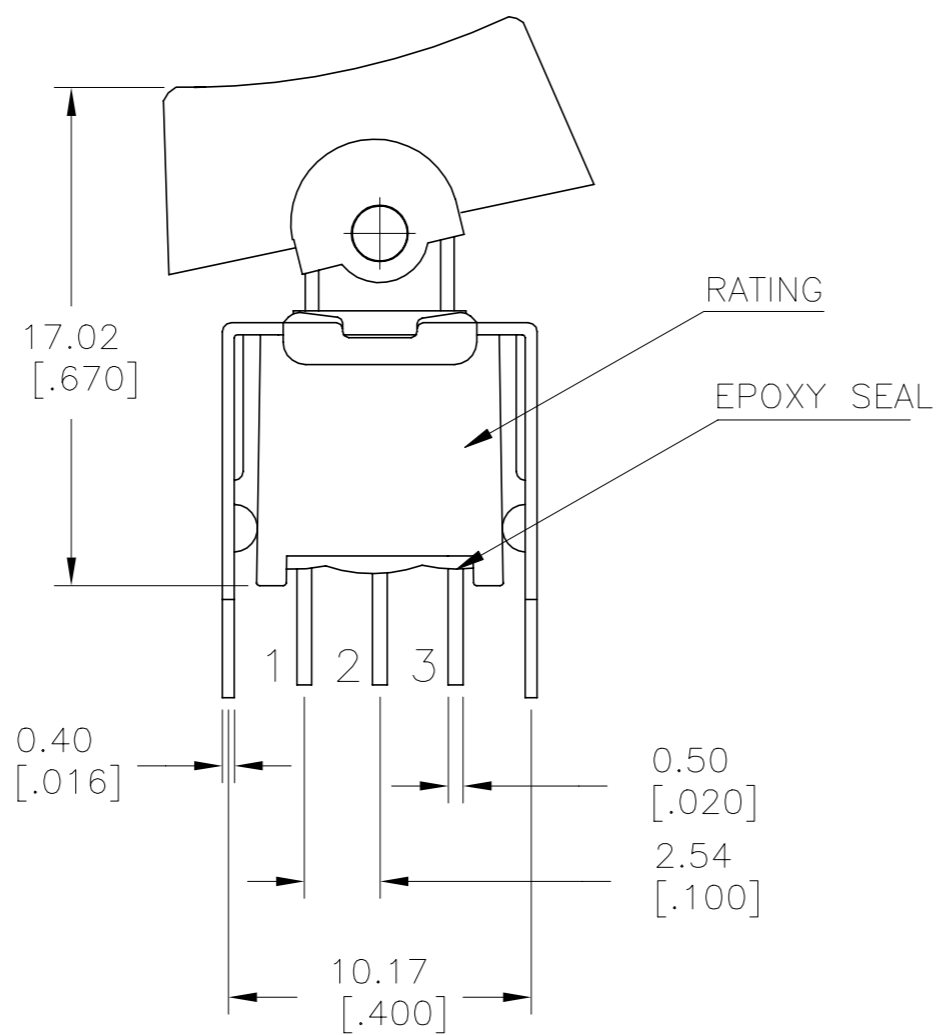
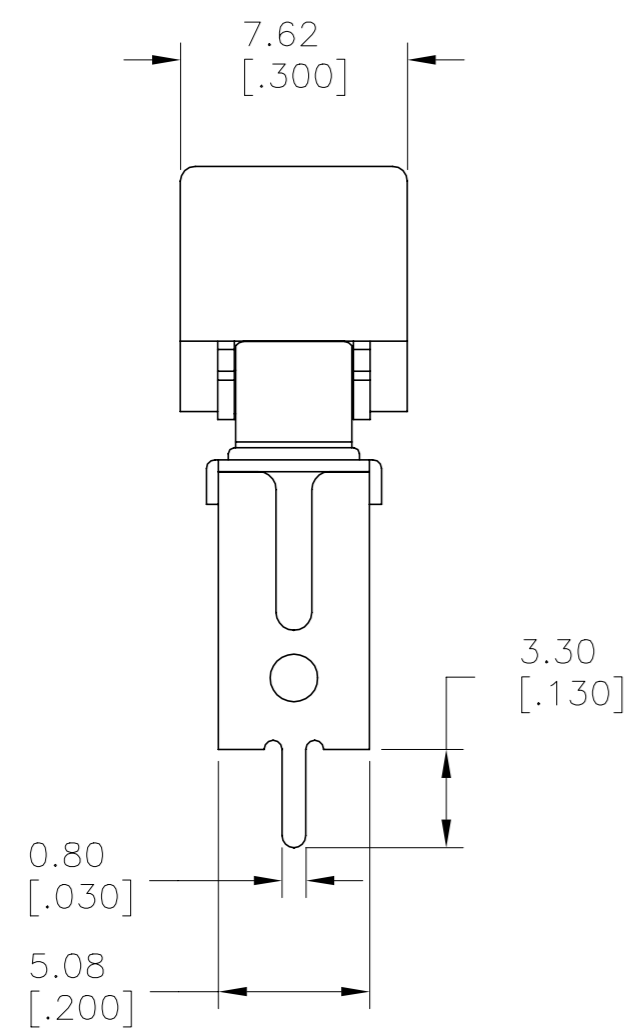
DPDT M7

VERTICAL  
RIGHT ANGLE

LAYOUT FOR PN 2267088-5 & 6

THIS DRAWING IS A CONTROLLED DOCUMENT.		DWN NAGALAKSHMI K	10JUL2014	TE Connectivity Ltd.	
DIMENSIONS: mm [INCHES]		CHK HILL, RYAN	10JUL2014		
TOLERANCES UNLESS OTHERWISE SPECIFIED:		APVD HILL, RYAN	10JUL2014	NAME SUBMINIATURE ROCKER SWITCHES	
0 PLC ± -		PRODUCT SPEC		SIZE A2	
1 PLC ± 0.38[.015]		APPLICATION SPEC		CAGE CODE 00779	
2 PLC ± 0.25[.010]		WEIGHT		DRAWING NO C=2267088	
3 PLC ± -		CUSTOMER DRAWING		RESTRICTED TO	
4 PLC ± -		SCALE 3:1		SHEET 4 of 5	
ANGLES ± 5°		REV A1			
FINISH					

REVISIONS					
P	LTR	DESCRIPTION	DATE	DWN	APVD
-	-	SEE SHEET 1	-	-	-



SPDT VS2  
VERTICAL V-BRACKET

P.C. MOUNTING

D

D

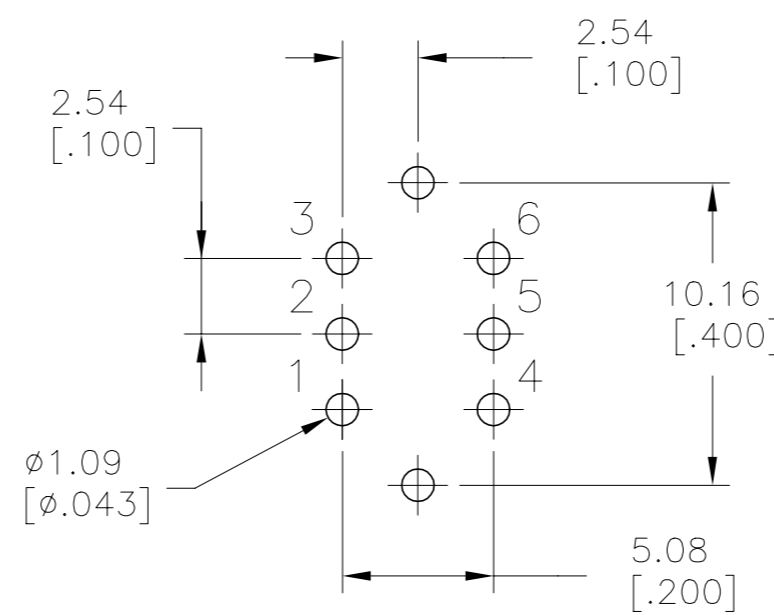
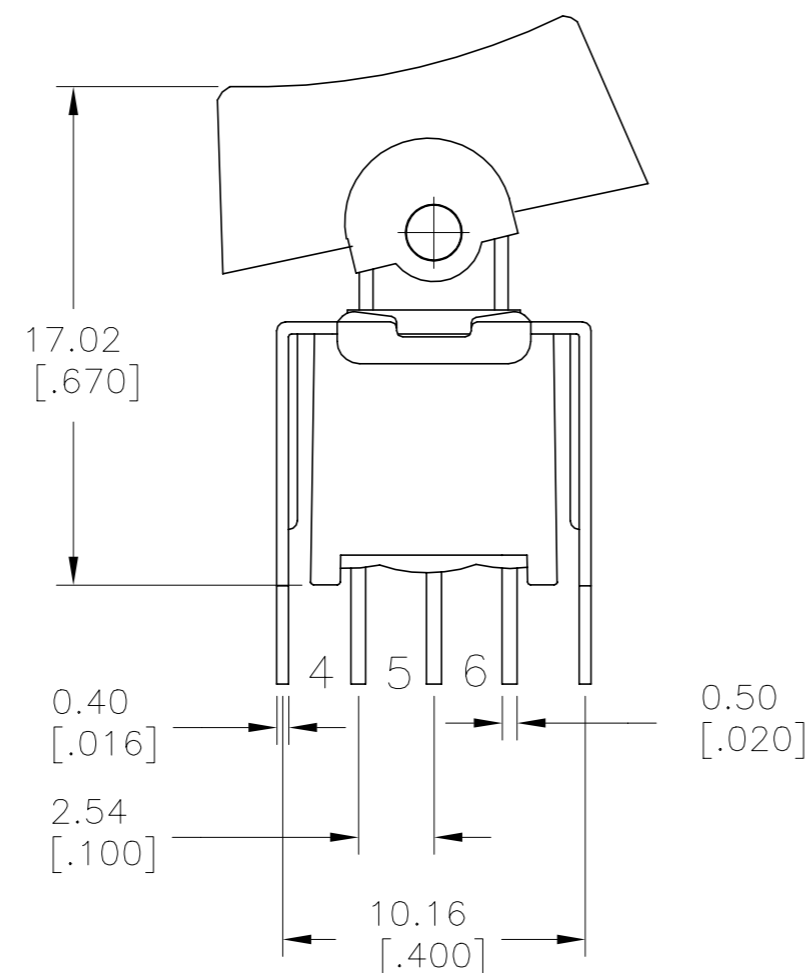
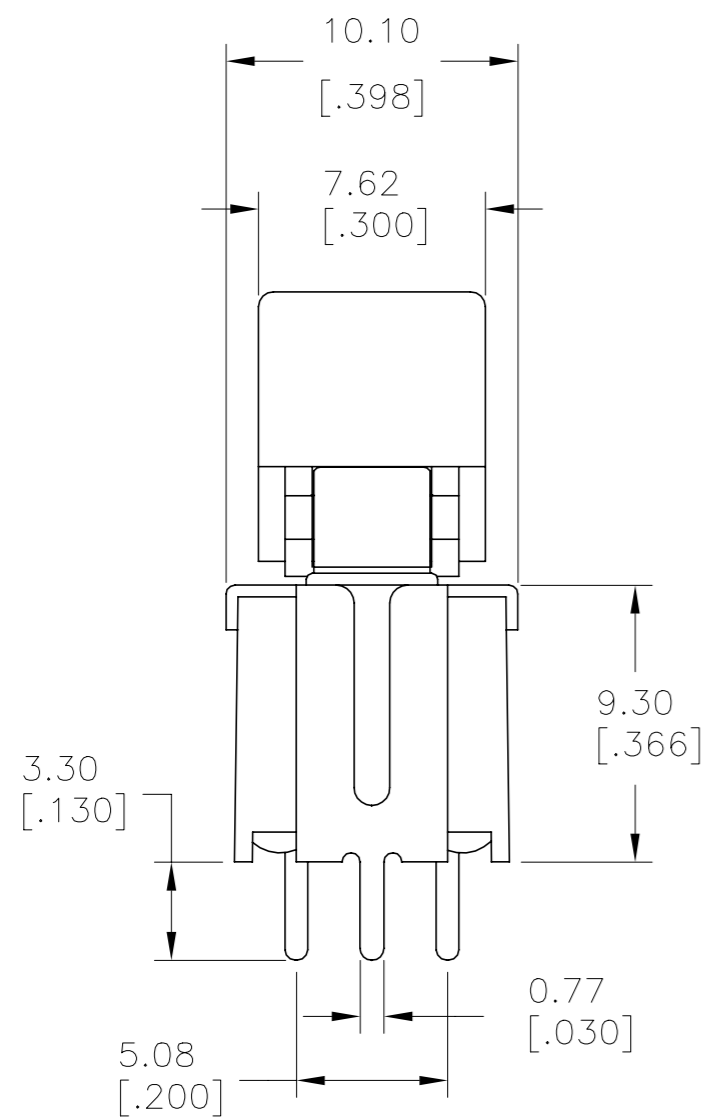
C

C

B

B

2267088



DPDT VS2  
VERTICAL V-BRACKET

P.C. MOUNTING

LAYOUT FOR PN 2267088-7 & 8

A

A

THIS DRAWING IS A CONTROLLED DOCUMENT.		DWN NAGALAKSHMI K 10JUL2014	TE Connectivity Ltd.	
DIMENSIONS: mm [INCHES]		CHK HILL, RYAN 10JUL2014		
TOLERANCES UNLESS OTHERWISE SPECIFIED:		APVD HILL, RYAN 10JUL2014	NAME SUBMINIATURE ROCKER SWITCHES	
0 PLC ± -		PRODUCT SPEC	SIZE A2	
1 PLC ± 0.38[.015]		APPLICATION SPEC	CAGE CODE 00779	DRAWING NO C=2267088
2 PLC ± 0.25[.010]		WEIGHT	RESTRICTED TO	
3 PLC ± -			SCALE 3:1	SHEET 5 of 5
4 PLC ± -			REV A1	
ANGLES ± 5°				
MATERIAL			CUSTOMER DRAWING	
FINISH				

## X-ON Electronics

Largest Supplier of Electrical and Electronic Components

*Click to view similar products for [Rocker Switches](#) category:*

*Click to view products by [TE Connectivity](#) manufacturer:*

Other Similar products are found below :

[VKD2GHNB-00000-000](#) [VSD2GNNB-00000-000](#) [6-1571986-5](#) [6-1571986-9](#) [8055K52Z7V](#) [8138K20E6M50](#) [FMC18A2200002](#) [84206L](#)  
[84312LX](#) [PREDD4-07F-BB0FW](#) [PREDD5-07F-BB0GW](#) [PRFDD1-16F-BB000](#) [PRFDD3-16F-BB000](#) [1-1634201-0](#) [999-16702-001](#)  
[A101J2ZQ004](#) [A101J4ZQ004](#) [A101J51CB0004](#) [A107J51ZQ0004](#) [A201J1AQ004](#) [A201J1AV2Q004](#) [A201J3ZB004](#) [A201J50ZQ004](#)  
[A203J51ZQ0004](#) [A226L11YZQ](#) [A22L11A](#) [A435S1YZQ](#) [H8500XBBBBL-A](#) [H8653VBBG2577W](#) [HB130CHNWWNAAC](#) [1251.0303](#)  
[AE205J60V3B004](#) [RH110C2NBB](#) [1352.0107](#) [1363.0201](#) [AML25GBF2AA03GR](#) [1571099-3](#) [1571987-4](#) [1571987-5](#) [1571989-7](#)  
[B123J77V7B2](#) [B226J50W4Q22P](#) [B433J37ZQ22M](#) [160212E](#) [1801.1164](#) [1831.1102](#) [1833.3402](#) [1837.1118](#) [1838.8302](#) [1839.1502](#)