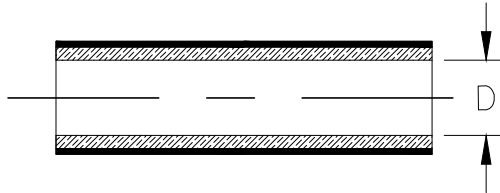


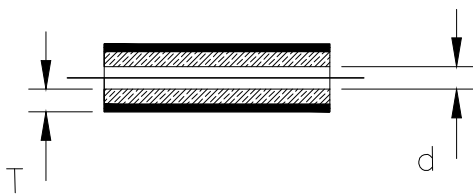
REVISIONS					
P	LTR	DESCRIPTION	DATE	DWN	APVD
	A1	ECR-20-003777	13MAR2020	RK	HD

Component 1 HTAT-16/4

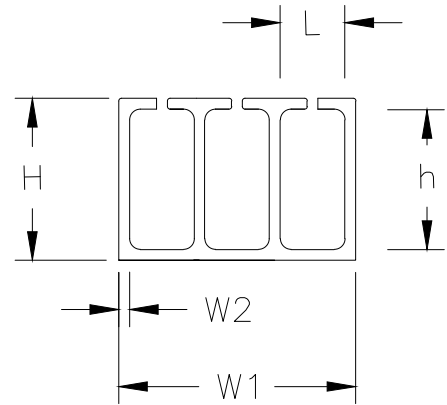
a) Part as supplied



b) Part fully recovered



Component 2 RBK-105-NR5030/A-X


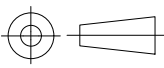


PRODUCT DIMENSIONS & NOTES

DIMENSIONS (in millimetres)

Component 1: HTAT-16/4-0			Component 2: RBK-105-NR5030/A-X				
D	d	T	H	h	L	W1	W2
MIN	MAX	NOM	±20%	±20%	±20%	±20%	±30%
a	b	b					
16.0	4.0	1.8	8.50	6.50	2.75	12.25	1.0
Supplied cut length 40mm ±1.5mm			Supplied cut length 8mm ±0.8mm				
MATERIAL: JACKET: Flame Retarded Modified Polyolefin (Colour: Black) LINER: Hot Melt Adhesive (Colour: Amber)			MATERIAL: Hot Melt Adhesive (Colour: Amber)				

© 2015 TE Connectivity. All Rights Reserved.

DIMENSIONS: mm	DWN	HD	10MAR2015	MATERIAL	-	FINISH	-
	CHK	CD	10MAR2015	 TE Connectivity			
TOLERANCES UNLESS OTHERWISE SPECIFIED:	APVD	CD	10MAR2015				
	0 PLC	± -	PRODUCT SPEC	108-120026	SIZE	A4	CAGE CODE
1 PLC	± -	APPLICATION SPEC	-	DRAWING NO	C-RBK-105-KIT-0103-A0		
2 PLC	± -	WEIGHT	1.69 g	RESTRICTED TO	-		
3 PLC	± -		CUSTOMER DRAWING	SCALE	NTS	SHEET	1 of 1
4 PLC	± -		REVISION	A1			
ANGLES	± -						

X-ON Electronics

Largest Supplier of Electrical and Electronic Components

Click to view similar products for [Heat Shrink Tubing and Sleeves](#) category:

Click to view products by [TE Connectivity](#) manufacturer:

Other Similar products are found below :

[5685710001](#) [CR9960-000](#) [5734012004](#) [607381P039](#) [611112-000](#) [6284592002](#) [CX4711-000](#) [CZ1420-000](#) [D-306-38](#) [770-006S302](#) [770-010Y106W1](#) [770-018S103](#) [770-018S202W1](#) [770-018S205W1](#) [770-020S704W1](#) [770-020S705](#) [MFP-3/64"-Clear](#) [790-3012](#) [MHHT-4-15K2-G-104](#) [8003012003](#) [MIL-LT-1-1/2-4-SP](#) [MIL-LT-1-1/2-9-STK](#) [MIL-LT-1/2-2-STK](#) [MIL-LT-3-0-SP](#) [MIL-LT-3/32-0-SP](#) [MIL-LT-3/32-6-SP](#) [MIL-LT-3/4-4-STK](#) [MIL-LT-3/4-6-SP](#) [839602-000](#) [8423-6](#) [FP301-116-48"-Clear](#) [FP301-12-6"-Clear](#) [FP301-1/4-48"-White-Hdr](#) [FP301-18-48"-Black-Hdr](#) [FP301-1/8-6"-Black](#) [FP301-18-6"-Black-Bulk](#) [FP301-316-48"-Blue-Hdr](#) [912229N002](#) [R280637030](#) [HDCW-5515-1000](#) [HDT-0300-48A-BLACK](#) [HDT-0400-48A-Black](#) [HDT-0800-48A-RED](#) [HDT1100-48A-BLK](#) [HDT1500-48A-BLK](#) [HDT-2000-48A-Black](#) [RHW-70/20-1200/ADH-0](#) [DWP-125-0.450-4-55MM-CS879](#) [156082-000](#) [MT5500-3/8-X-SP](#)