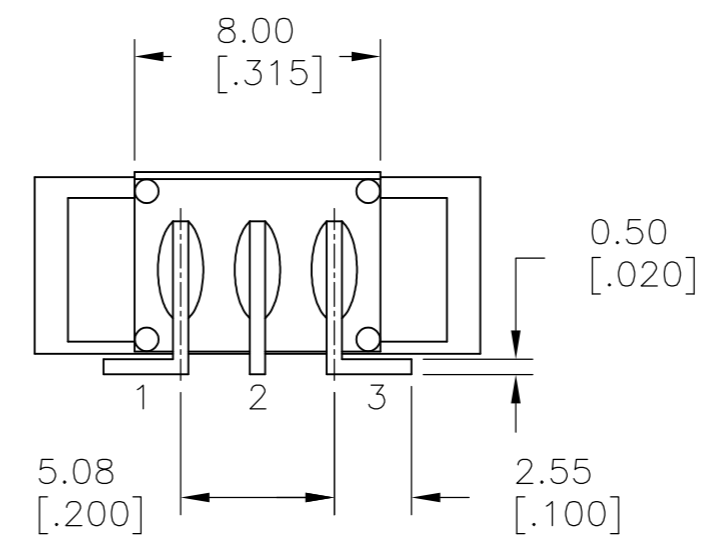
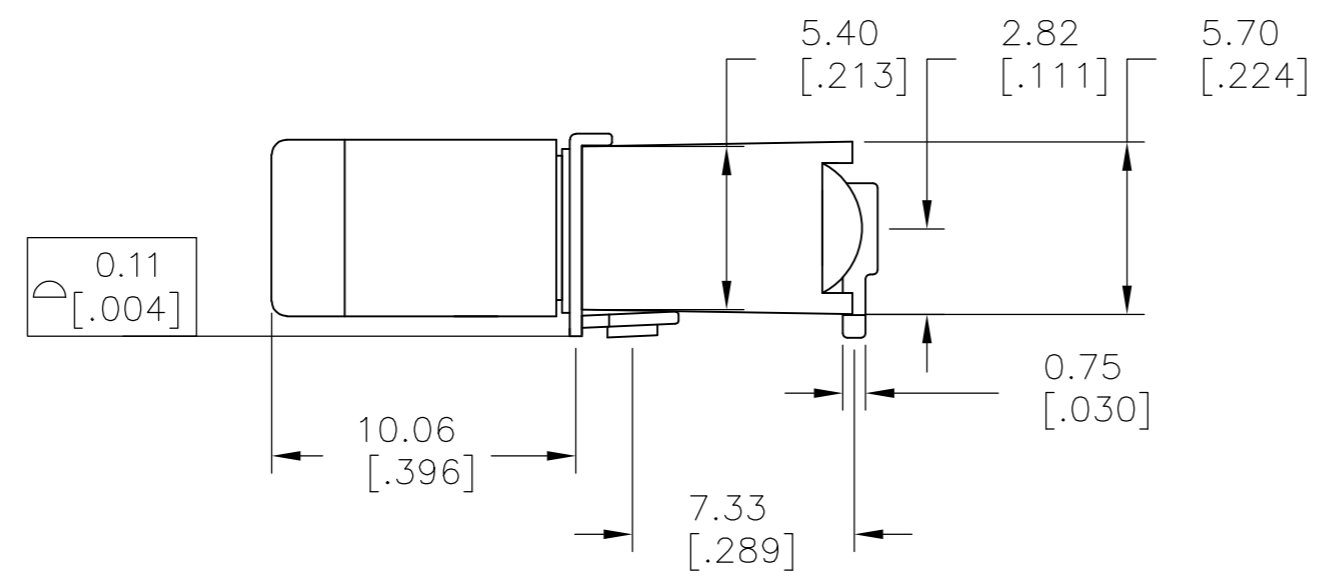
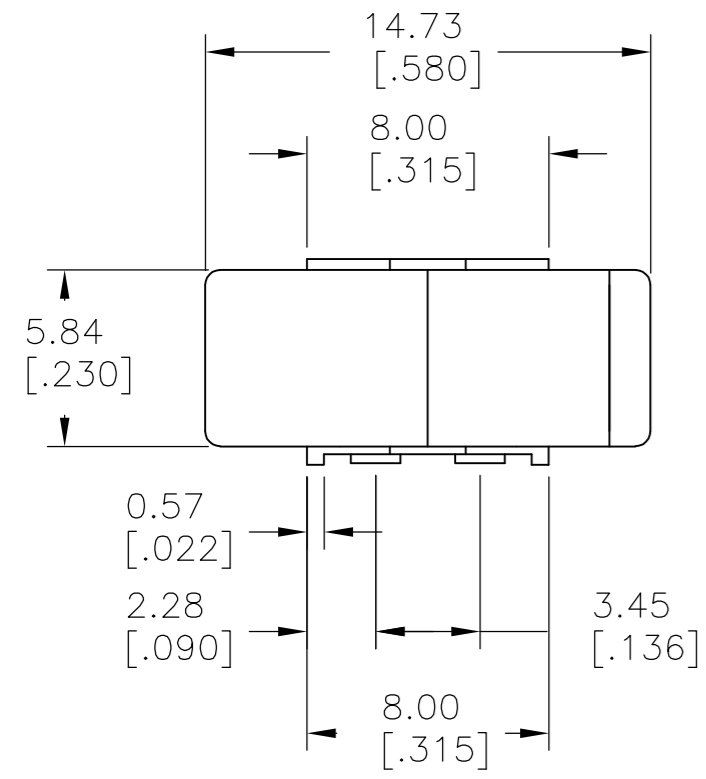


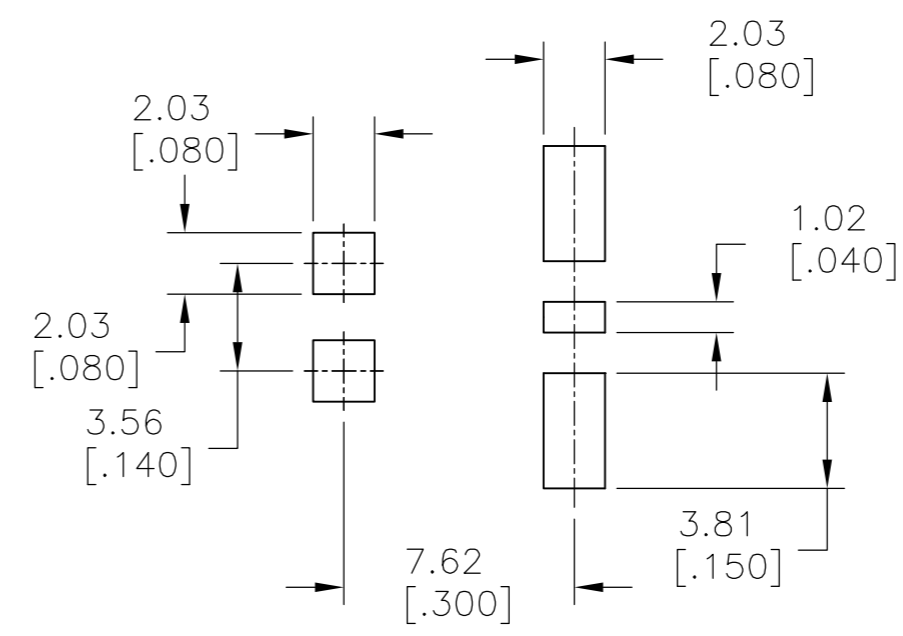
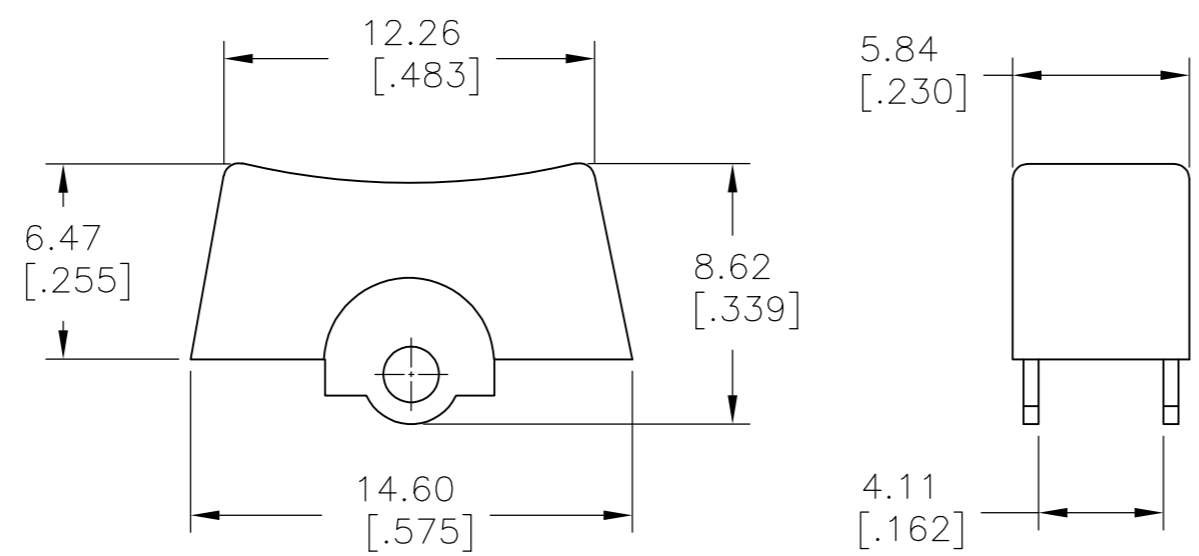
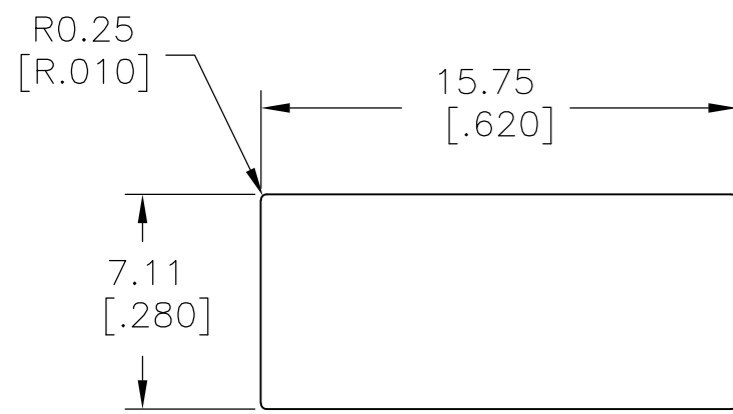
THIS DRAWING IS UNPUBLISHED. RELEASED FOR PUBLICATION
 © COPYRIGHT - By - ALL RIGHTS RESERVED.

LOC		DIST		REVISIONS			
P	LTR	DESCRIPTION		DATE	DWN	APVD	
G	14	A	REVISED PER ECO-14-013095	27AUG2014	NK	RH	



SPECIFICATIONS

MECHANICAL LIFE: 50,000 MAKE AND BREAK CYCLES.
 CONTACT RESISTANCE: 20mΩ MAX. INITIAL @ 2-4VDC
 100mA FOR GOLD PLATED CONTACTS.
 INSULATION RESISTANCE: 1,000MΩ MIN.
 DIELECTRIC STRENGTH: 1,000V RMS @SEA LEVEL.
 OPERATING TEMPERATURE: -30°C TO 85°C.
 CONTACT RATING: 0.4 VA MAX @ 20V MAX (AC OR DC)



P.C. MOUNTING

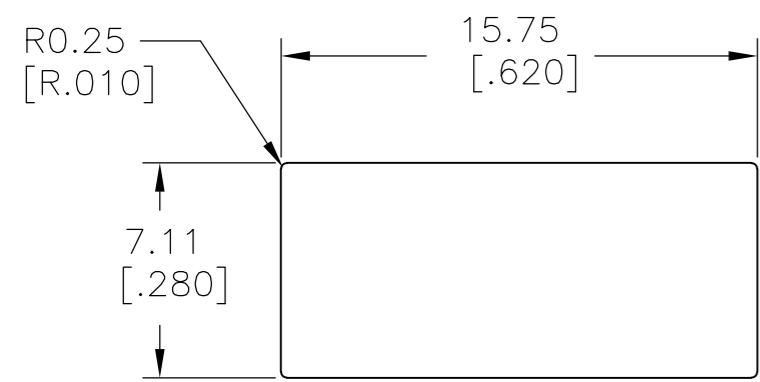
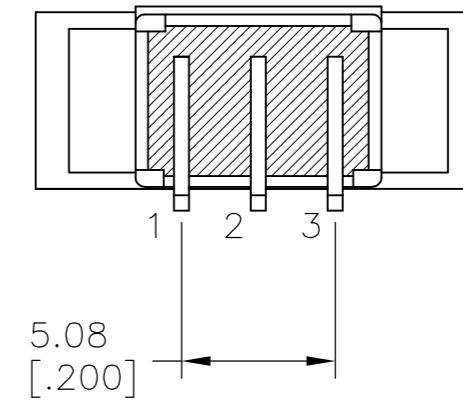
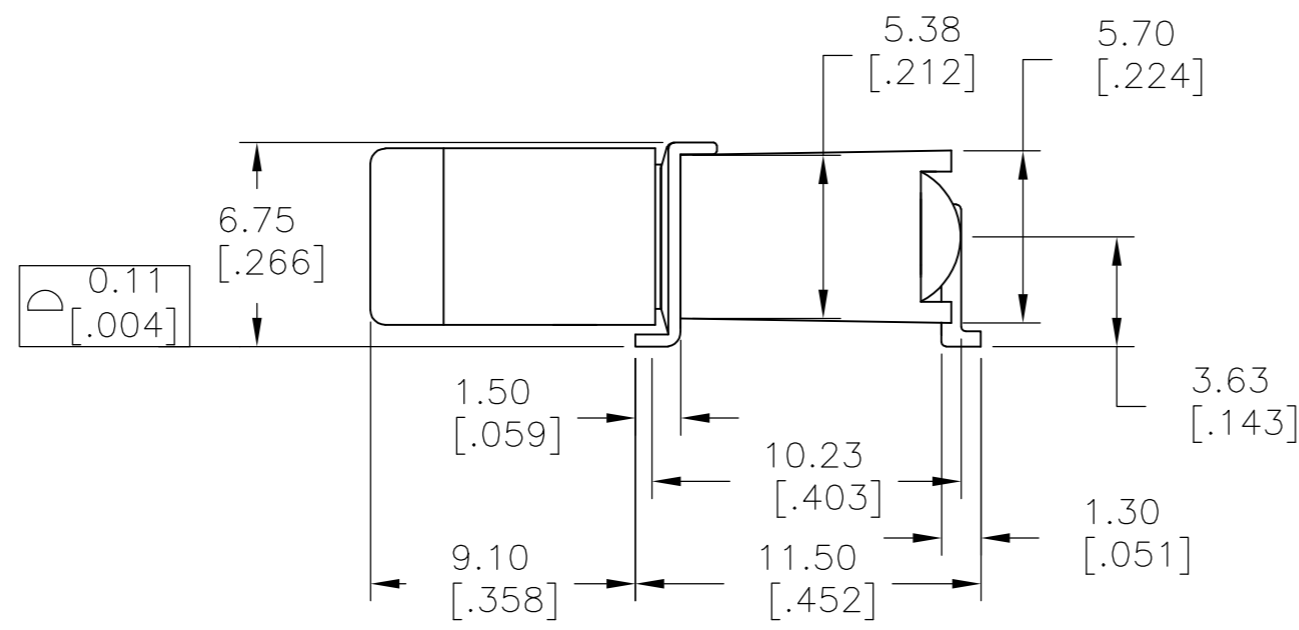
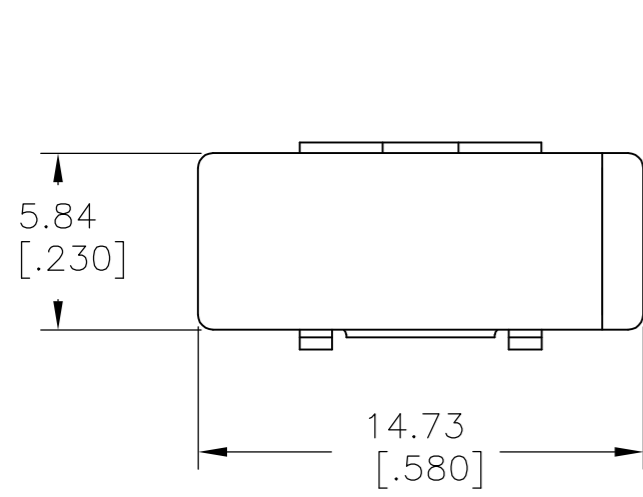
RIGHT ANGLE LAYOUT

RA STANDARD, SMT	2-1	2-3	ON-(ON)	2	1	RBS2R202MZRES	2267129-4
RIGHT ANGLE, SMT	2-1	2-3	ON-(ON)	2	1	RBS2R202MTRES	2267129-3
RA STANDARD, SMT	2-1	2-3	ON-ON	2	1	RBS1R202MZRES	2267129-2
RIGHT ANGLE, SMT	2-1	2-3	ON-ON	2	1	RBS1R202MTRES	2267129-1
TERMINATION	POS 2	POS 1	FUNCTION	THROWS	POLES	TE DESCRIPTIVE PART NUMBER	TE PART NUMBER

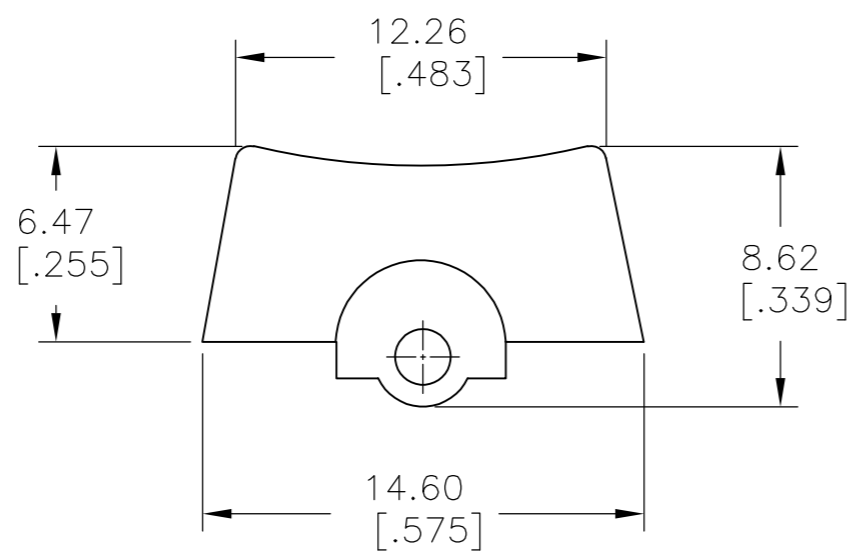
THIS DRAWING IS A CONTROLLED DOCUMENT.		DWN NAGALAKSHMI K 20JUN2014		
DIMENSIONS: mm [INCHES]		CHK HILL RYAN 20JUN2014		
TOLERANCES UNLESS OTHERWISE SPECIFIED:		APVD HILL RYAN 20JUN2014	NAME SUBMINIATURE ROCKER SERIES, SEALED, SMT	
0 PLC ± - 1 PLC ± 0.40[.015] 2 PLC ± 0.25[.010] 3 PLC ± - 4 PLC ± - ANGLES ± 5°		PRODUCT SPEC	SIZE A2	
MATERIAL		FINISH	WEIGHT	RESTRICTED TO
CUSTOMER DRAWING		SCALE 1:1	DRAWING NO C=2267129	SHEET 1 of 2
		REVISIONS	REV A	

THIS DRAWING IS UNPUBLISHED. RELEASED FOR PUBLICATION
 © COPYRIGHT - By - ALL RIGHTS RESERVED.

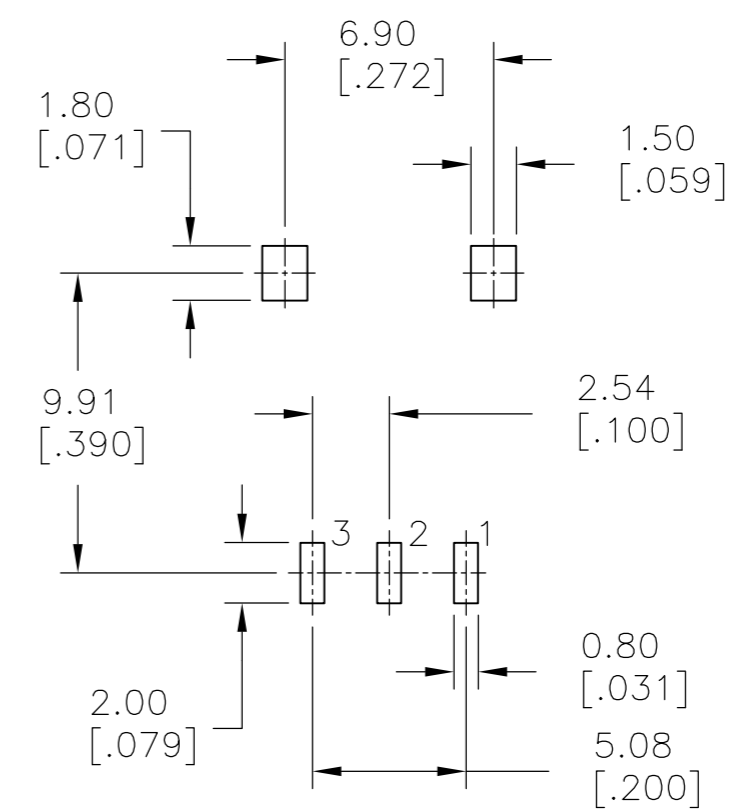
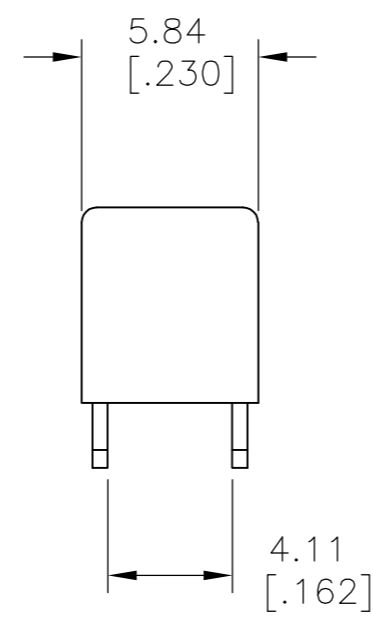
LOC		DIST		REVISIONS			
P	LTR	DESCRIPTION		DATE	DWN	APVD	
G	14						
-				SEE SHEET 1	-	-	



PANEL LAYOUT



RA STANDARD LAYOUT



P.C. MOUNTING

THIS DRAWING IS A CONTROLLED DOCUMENT.		DWN NAGALAKSHMI K 20JUN2014																				
DIMENSIONS: mm [INCHES]		CHK HILL RYAN 20JUN2014																				
TOLERANCES UNLESS OTHERWISE SPECIFIED:		APVD HILL RYAN 20JUN2014	NAME SUBMINIATURE ROCKER SERIES, SEALED, SMT																			
<table border="1"> <tr><td>0 PLC</td><td>±</td><td>-</td></tr> <tr><td>1 PLC</td><td>±</td><td>0.40[.015]</td></tr> <tr><td>2 PLC</td><td>±</td><td>0.25[.010]</td></tr> <tr><td>3 PLC</td><td>±</td><td>-</td></tr> <tr><td>4 PLC</td><td>±</td><td>-</td></tr> <tr><td>ANGLES</td><td>±</td><td>5°</td></tr> </table>		0 PLC	±	-	1 PLC	±	0.40[.015]	2 PLC	±	0.25[.010]	3 PLC	±	-	4 PLC	±	-	ANGLES	±	5°	PRODUCT SPEC -	SIZE A2	RESTRICTED TO -
0 PLC	±	-																				
1 PLC	±	0.40[.015]																				
2 PLC	±	0.25[.010]																				
3 PLC	±	-																				
4 PLC	±	-																				
ANGLES	±	5°																				
MATERIAL		APPLICATION SPEC -	CAGE CODE -	DRAWING NO C=2267129																		
FINISH		WEIGHT -	SCALE 1:1	SHEET 2 OF 2																		
		CUSTOMER DRAWING	REV A																			

X-ON Electronics

Largest Supplier of Electrical and Electronic Components

Click to view similar products for [Rocker Switches](#) category:

Click to view products by [TE Connectivity](#) manufacturer:

Other Similar products are found below :

[LTILA6E-1S-WH-RC-FN12VXCR1](#) [6-1571986-9](#) [8007K26N324V52](#) [8055K23Z7V](#) [8055K32Z7V](#) [8055K52Z7V](#) [8138K20E6M50](#) [84206L](#)
[84312LX](#) [PREDD5-07F-BB0GW](#) [999-16716-002](#) [999-16716-003](#) [999-16716-004](#) [A101J1V3Q004](#) [A101J2ZQ004](#) [A101J4ZQ004](#)
[A101J51CB0004](#) [A103J1ZQ004](#) [A201J1AQ004](#) [A201J3ZB004](#) [A201J50ZQ004](#) [A203J51ZQ0004](#) [A435S1YZQ](#) [H8500XBBBBL-A](#)
[H8653VBBG2577W](#) [HB130CHNWWNAAC](#) [R13112ABB-602W](#) [1251.0303](#) [AE205J60V3B004](#) [1352.0107](#) [1500G51E](#) [1571099-3](#)
[1571987-4](#) [1571987-5](#) [1571989-7](#) [1571988-5](#) [B123J77V7B2](#) [B226J50W4Q22P](#) [B433J37ZQ22M](#) [160212E](#) [1634200-7](#) [1801.1164](#) [1839.1502](#)
[PANEL-PLUG-VHP-BLACK](#) [PANEL-PLUG-VHP-WT](#) [K1ABBSCADN](#) [K2ABAAAAAA](#) [KG312A2DXD246X](#) [250011E714](#) [2600HM11E](#)