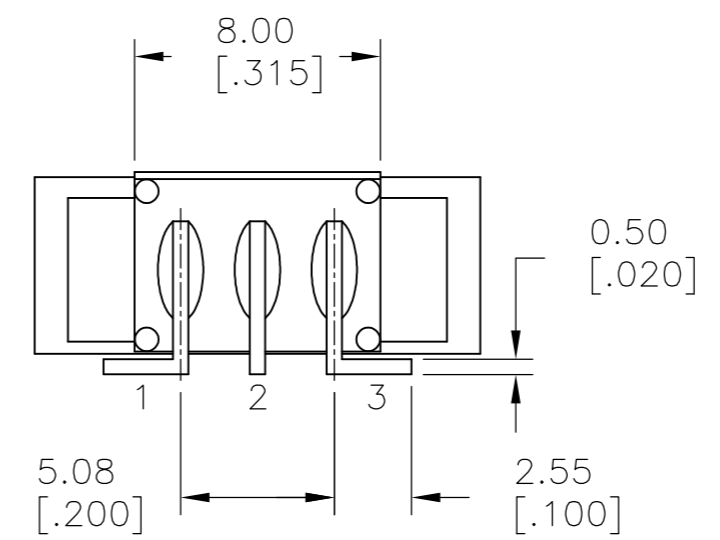
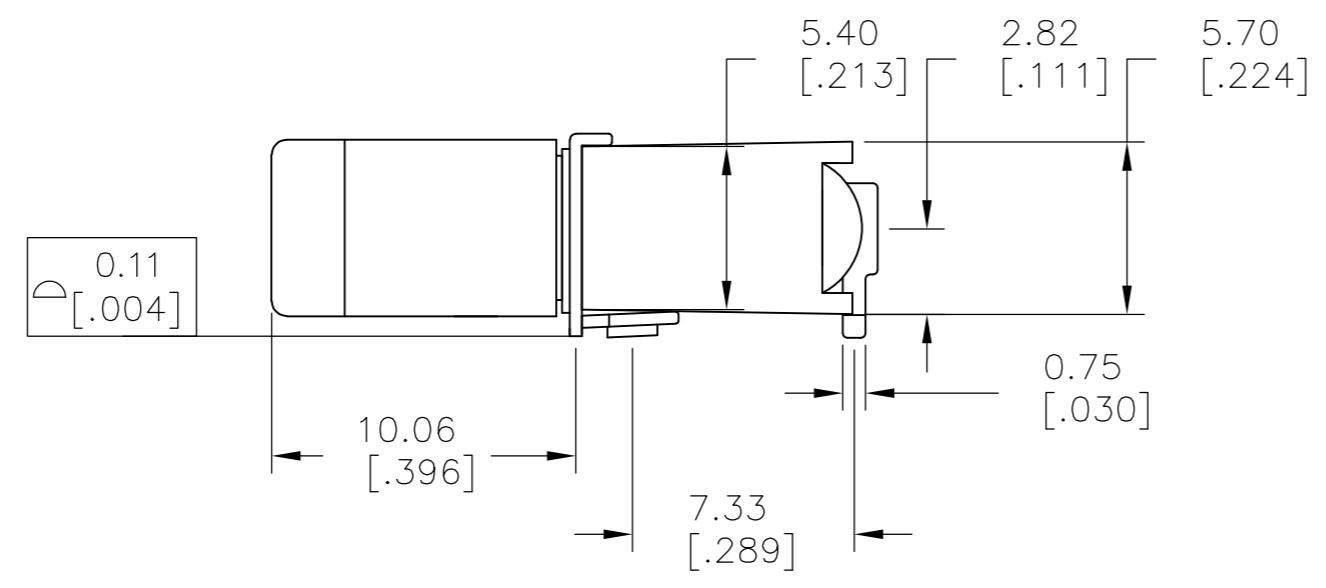
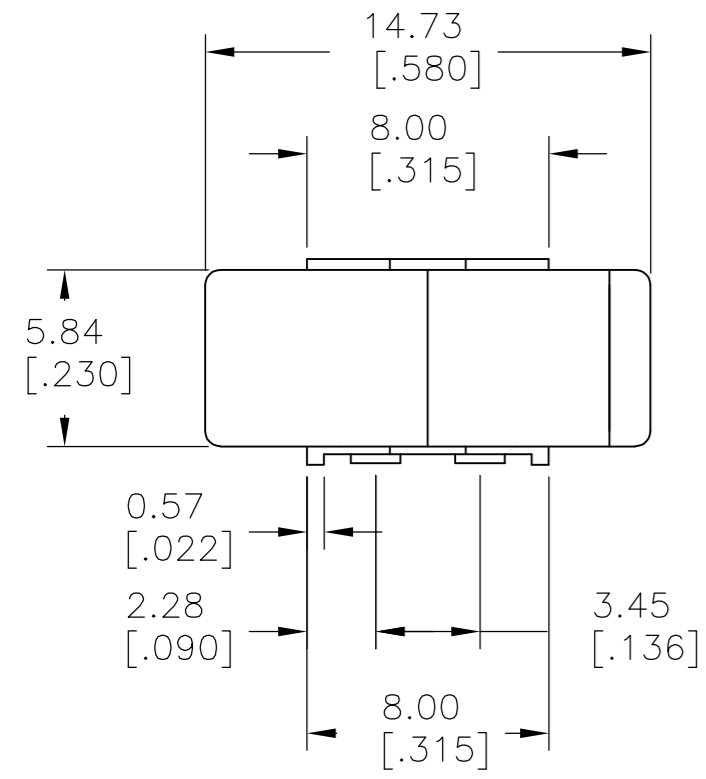


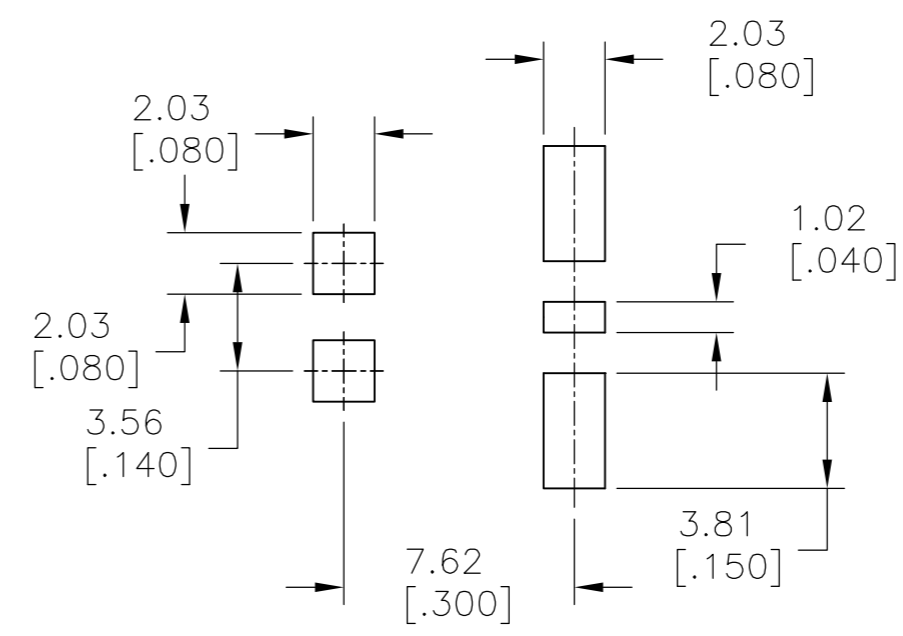
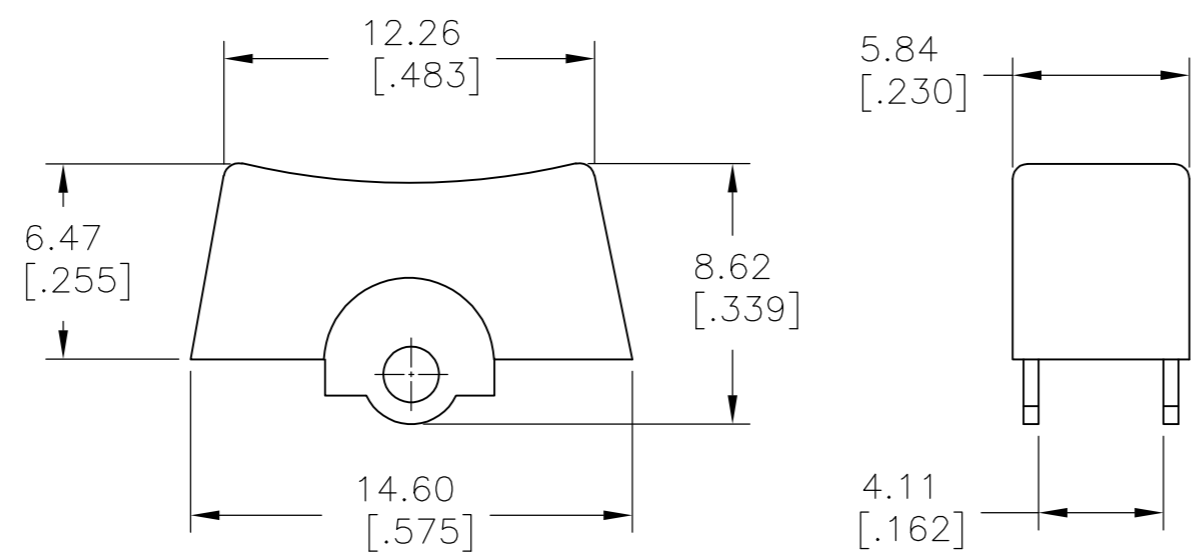
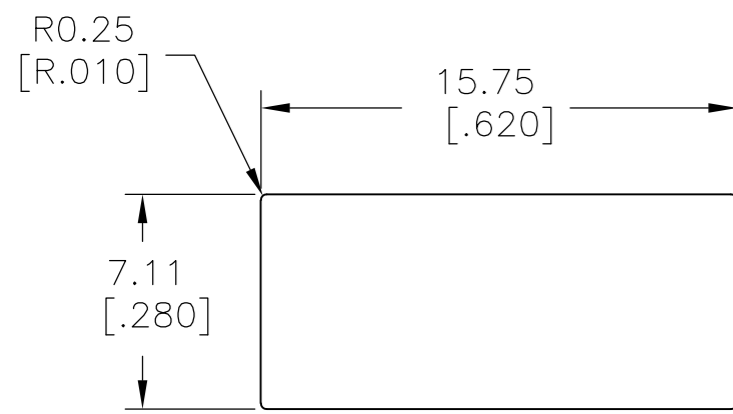
THIS DRAWING IS UNPUBLISHED. RELEASED FOR PUBLICATION
 © COPYRIGHT - By - ALL RIGHTS RESERVED.

| LOC | | DIST | | REVISIONS | | | |
|-----|-----|-------------|---------------------------|-----------|-----|------|--|
| P | LTR | DESCRIPTION | | DATE | DWN | APVD | |
| G | 14 | A | REVISED PER ECO-14-013095 | 27AUG2014 | NK | RH | |



SPECIFICATIONS

MECHANICAL LIFE: 50,000 MAKE AND BREAK CYCLES.
 CONTACT RESISTANCE: 20mΩ MAX. INITIAL @ 2-4VDC
 100mA FOR GOLD PLATED CONTACTS.
 INSULATION RESISTANCE: 1,000MΩ MIN.
 DIELECTRIC STRENGTH: 1,000V RMS @SEA LEVEL.
 OPERATING TEMPERATURE: -30°C TO 85°C.
 CONTACT RATING: 0.4 VA MAX @ 20V MAX (AC OR DC)



P.C. MOUNTING

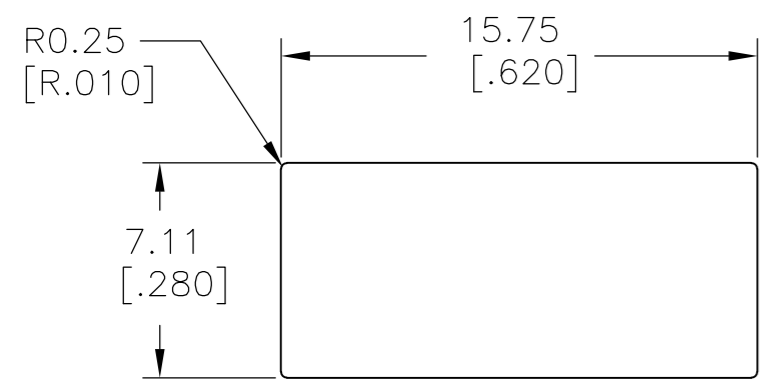
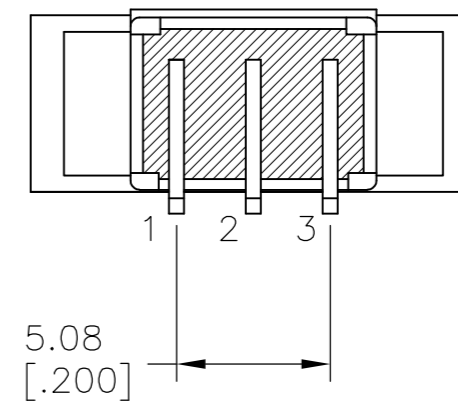
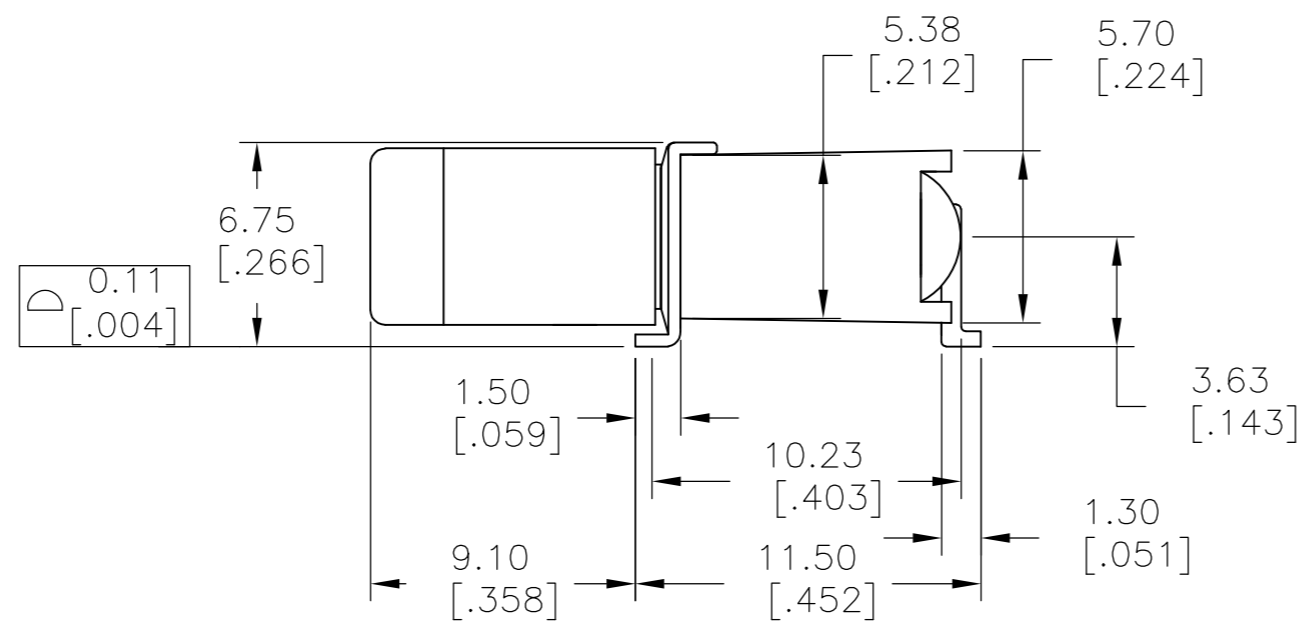
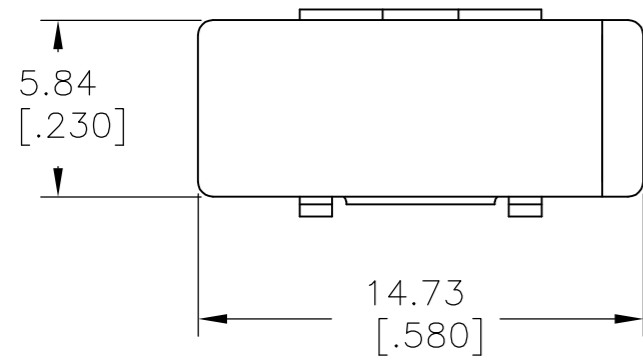
RIGHT ANGLE LAYOUT

| RA STANDARD, SMT | 2-1 | 2-3 | ON-(ON) | 2 | 1 | RBS2R202MZRES | 2267129-4 |
|------------------|-------|-------|----------|--------|-------|----------------------------|----------------|
| RIGHT ANGLE, SMT | 2-1 | 2-3 | ON-(ON) | 2 | 1 | RBS2R202MTRES | 2267129-3 |
| RA STANDARD, SMT | 2-1 | 2-3 | ON-ON | 2 | 1 | RBS1R202MZRES | 2267129-2 |
| RIGHT ANGLE, SMT | 2-1 | 2-3 | ON-ON | 2 | 1 | RBS1R202MTRES | 2267129-1 |
| TERMINATION | POS 2 | POS 1 | FUNCTION | THROWS | POLES | TE DESCRIPTIVE PART NUMBER | TE PART NUMBER |

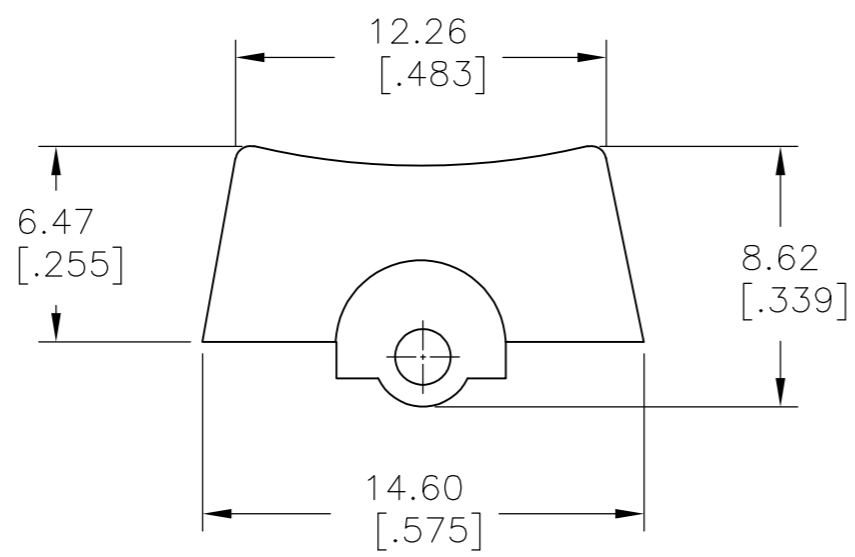
| | | | | | | | | | | | | | | | | |
|---|--------------|-----------------------------------|---|-------------------------|--------------|-------|--------------|-------|-----|-------|-----|--------|------|-------------------|------------|--|
| THIS DRAWING IS A CONTROLLED DOCUMENT. | | DWN NAGALAKSHMI K 20JUN2014 | | | | | | | | | | | | | | |
| DIMENSIONS: mm [INCHES] | | CHK HILL RYAN 20JUN2014 | | | | | | | | | | | | | | |
| TOLERANCES UNLESS OTHERWISE SPECIFIED: | | APVD HILL RYAN 20JUN2014 | NAME SUBMINIATURE ROCKER SERIES, SEALED, SMT | | | | | | | | | | | | | |
| <table border="1"> <tr><td>0 PLC</td><td>± -</td></tr> <tr><td>1 PLC</td><td>± 0.40[.015]</td></tr> <tr><td>2 PLC</td><td>± 0.25[.010]</td></tr> <tr><td>3 PLC</td><td>± -</td></tr> <tr><td>4 PLC</td><td>± -</td></tr> <tr><td>ANGLES</td><td>± 5°</td></tr> </table> | | 0 PLC | ± - | 1 PLC | ± 0.40[.015] | 2 PLC | ± 0.25[.010] | 3 PLC | ± - | 4 PLC | ± - | ANGLES | ± 5° | PRODUCT SPEC - | SIZE A2 | |
| 0 PLC | ± - | | | | | | | | | | | | | | | |
| 1 PLC | ± 0.40[.015] | | | | | | | | | | | | | | | |
| 2 PLC | ± 0.25[.010] | | | | | | | | | | | | | | | |
| 3 PLC | ± - | | | | | | | | | | | | | | | |
| 4 PLC | ± - | | | | | | | | | | | | | | | |
| ANGLES | ± 5° | | | | | | | | | | | | | | | |
| MATERIAL | | APPLICATION SPEC - | CAGE CODE - | DRAWING NO C=2267129 | | | | | | | | | | | | |
| FINISH | | WEIGHT - | RESTRICTED TO - | SCALE 1:1 | | | | | | | | | | | | |
| CUSTOMER DRAWING | | SHEET 1 of 2 | | REV A | | | | | | | | | | | | |

THIS DRAWING IS UNPUBLISHED. RELEASED FOR PUBLICATION
 © COPYRIGHT - By - ALL RIGHTS RESERVED.

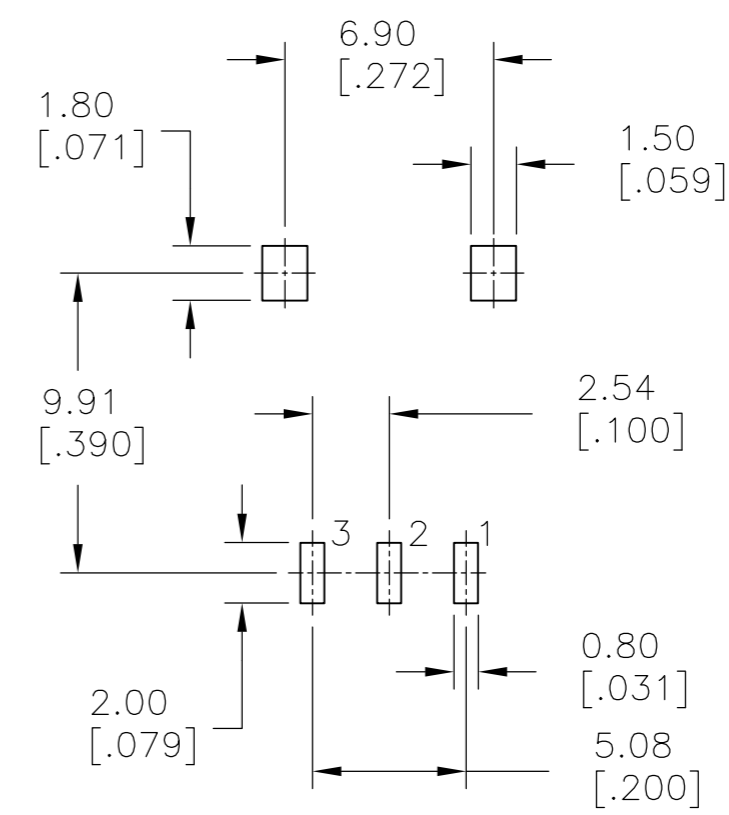
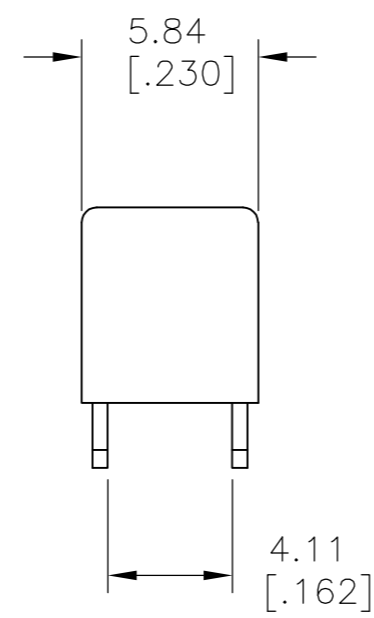
| LOC | DIST | REVISIONS | | | | | |
|-----|------|-----------|-----|-------------|------|-----|------|
| | | P | LTR | DESCRIPTION | DATE | DWN | APVD |
| G | 14 | - | - | SEE SHEET 1 | - | - | - |



PANEL LAYOUT



RA STANDARD LAYOUT



P.C. MOUNTING

| | | | | | | | | | | | | | | | | | | | | | | | | | | | | |
|---|-----|-----------------------------------|---|--------------------|-------------------------|---|-----|---|-------------|---|-----|---|-------------|---|-----|---|---|---|-----|---|---|--------|--|---|----|-------------------|------------|--|
| THIS DRAWING IS A CONTROLLED DOCUMENT. | | DWN NAGALAKSHMI K 20JUN2014 | | | | | | | | | | | | | | | | | | | | | | | | | | |
| DIMENSIONS: mm [INCHES] | | CHK HILL RYAN 20JUN2014 | | | | | | | | | | | | | | | | | | | | | | | | | | |
| TOLERANCES UNLESS OTHERWISE SPECIFIED: | | APVD HILL RYAN 20JUN2014 | NAME SUBMINIATURE ROCKER SERIES, SEALED, SMT | | | | | | | | | | | | | | | | | | | | | | | | | |
| <table border="1"> <tr><td>0</td><td>PLC</td><td>±</td><td>-</td></tr> <tr><td>1</td><td>PLC</td><td>±</td><td>0.40[0.015]</td></tr> <tr><td>2</td><td>PLC</td><td>±</td><td>0.25[0.010]</td></tr> <tr><td>3</td><td>PLC</td><td>±</td><td>-</td></tr> <tr><td>4</td><td>PLC</td><td>±</td><td>-</td></tr> <tr><td colspan="2">ANGLES</td><td>±</td><td>5°</td></tr> </table> | | 0 | PLC | ± | - | 1 | PLC | ± | 0.40[0.015] | 2 | PLC | ± | 0.25[0.010] | 3 | PLC | ± | - | 4 | PLC | ± | - | ANGLES | | ± | 5° | PRODUCT SPEC - | SIZE A2 | |
| 0 | PLC | ± | - | | | | | | | | | | | | | | | | | | | | | | | | | |
| 1 | PLC | ± | 0.40[0.015] | | | | | | | | | | | | | | | | | | | | | | | | | |
| 2 | PLC | ± | 0.25[0.010] | | | | | | | | | | | | | | | | | | | | | | | | | |
| 3 | PLC | ± | - | | | | | | | | | | | | | | | | | | | | | | | | | |
| 4 | PLC | ± | - | | | | | | | | | | | | | | | | | | | | | | | | | |
| ANGLES | | ± | 5° | | | | | | | | | | | | | | | | | | | | | | | | | |
| MATERIAL | | FINISH | WEIGHT - | CAGE CODE - | DRAWING NO C=2267129 | | | | | | | | | | | | | | | | | | | | | | | |
| | | CUSTOMER DRAWING | | RESTRICTED TO - | SCALE 1:1 | | | | | | | | | | | | | | | | | | | | | | | |
| | | | | SHEET 2 OF 2 | REV A | | | | | | | | | | | | | | | | | | | | | | | |

X-ON Electronics

Largest Supplier of Electrical and Electronic Components

Click to view similar products for [Rocker Switches](#) category:

Click to view products by [TE Connectivity](#) manufacturer:

Other Similar products are found below :

[LTILA6E-1S-WH-RC-FN12VXCR1](#) [6-1571986-9](#) [8007K26N324V52](#) [8055K23Z7V](#) [8055K32Z7V](#) [8055K52Z7V](#) [8138K20E6M50](#) [84206L](#)
[84312LX](#) [PREDD5-07F-BB0GW](#) [999-16716-002](#) [999-16716-003](#) [999-16716-004](#) [A101J1V3Q004](#) [A101J2ZQ004](#) [A101J4ZQ004](#)
[A101J51CB0004](#) [A103J1ZQ004](#) [A201J1AQ004](#) [A201J3ZB004](#) [A201J50ZQ004](#) [A203J51ZQ0004](#) [A435S1YZQ](#) [H8500XBBBBL-A](#)
[H8653VBBG2577W](#) [HB130CHNWWNAAC](#) [R13112ABB-602W](#) [1251.0303](#) [AE205J60V3B004](#) [1352.0107](#) [1500G51E](#) [1571099-3](#)
[1571987-4](#) [1571987-5](#) [1571989-7](#) [1571988-5](#) [B123J77V7B2](#) [B226J50W4Q22P](#) [B433J37ZQ22M](#) [160212E](#) [1634200-7](#) [1801.1164](#) [1839.1502](#)
[PANEL-PLUG-VHP-BLACK](#) [PANEL-PLUG-VHP-WT](#) [K1ABBSCADN](#) [K2ABAAAAAA](#) [KG312A2DXD246X](#) [250011E714](#) [2600HM11E](#)