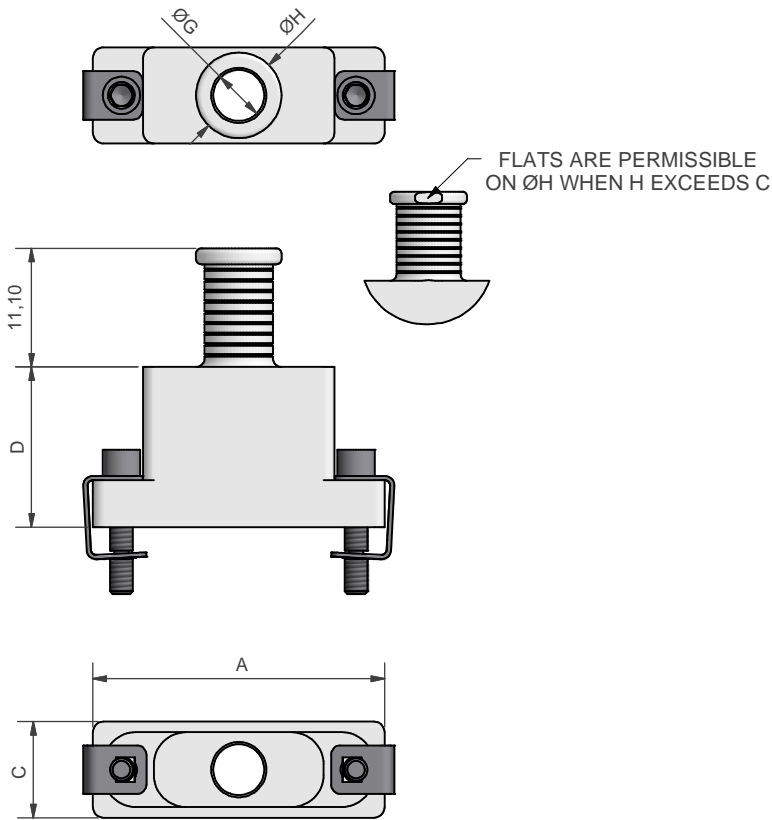
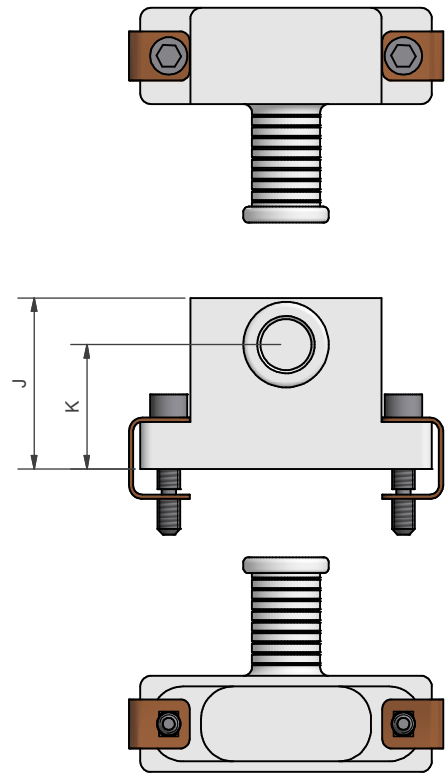


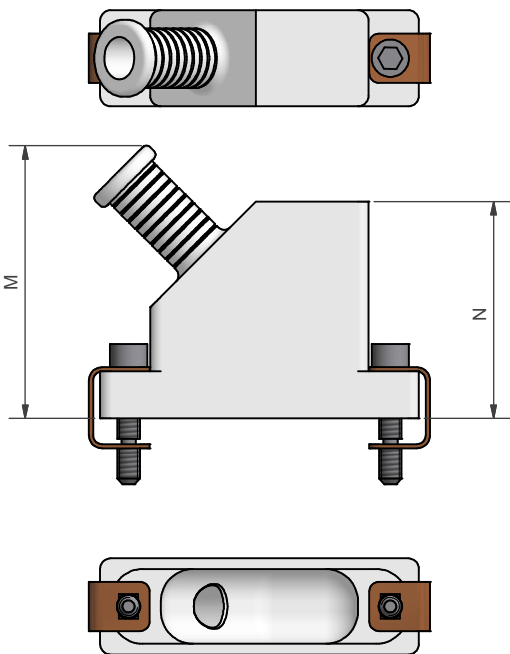
STYLE U



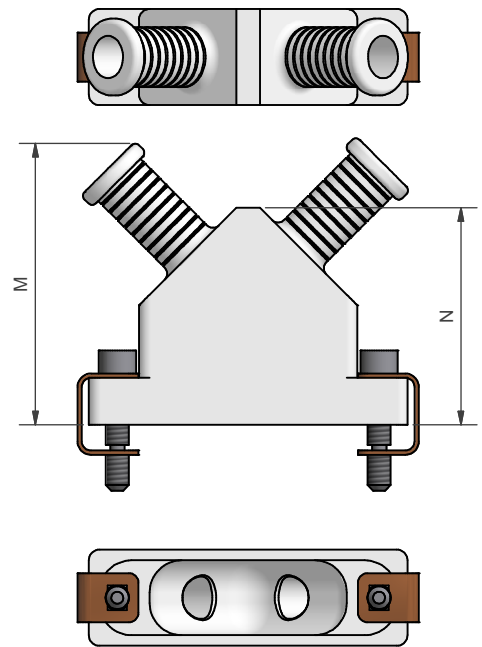
STYLE Z



STYLE F

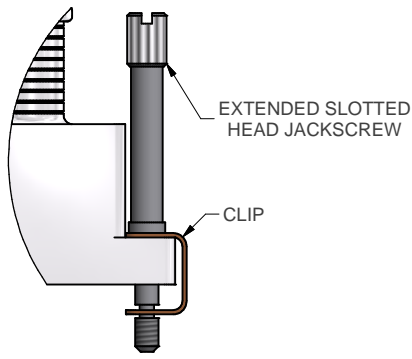


STYLE D

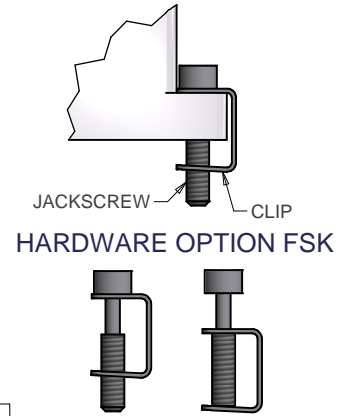
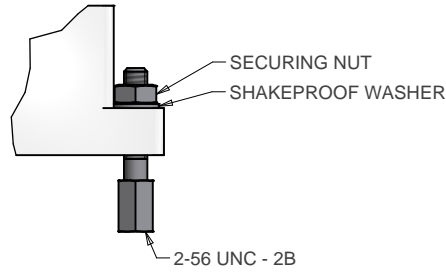


DRAWN	K.SHEPPARD	DATE	29/11/2011	3RD ANGLE PROJECTION NOT TO SCALE	POLAMCO LTD WESTON LOCK LOWER BRISTOL ROAD BATH BA2 1EP	PAGE 1	UNLESS OTHERWISE SPECIFIED ALL DIMENSIONS IN MILLIMETRES
SALES APPR	A.POLSON	DATE	11/11/2011				
DESIGN APPR				THIS DRAWING IS COPYRIGHT AND THE PROPERTY OF POLAMCO LTD IT MUST NOT BE COPIED, USED FOR MANUFACTURE OR OTHERWISE DISCLOSED WITHOUT PRIOR WRITTEN CONSENT OF THE COMPANY.	ASSY USED ON: MIL-DTL-83513		MATERIAL ALUMINIUM ALLOY
QUAL APPR					TITLE: BANDING BACKSHELL		
ISSUE	6	REV	4		PART NUMBER: RBTMM SERIES		DRAWING NO: P22259
WEIGHT		GENERAL TOL LINEAR +/-0.1MM ANGULAR +/-1°					

HARDWARE OPTION EK



HARDWARE OPTION F



EXAMPLE PART NUMBER: RBTMM-U-21-06-1-C-SL	
RBTMM =	POLAMCO SERIES
U =	ANGLE: U - TOP ENTRY Z - SIDE ENTRY F - 45° ENTRY D - DUAL ENTRY
21 =	SHELL SIZE (TABLE 1)
06 =	ENTRY SIZE (TABLE 2)
1 =	MATERIAL (ALUMINIUM ALLOY)
C =	PLATING (TABLE 3)
SL =	SCREW REF. SL - SLOTTED HEAD JACKSCREW SK - SOCKET HEAD JACKSCREW EK - EXTENDED JACKSCREW F - FEMALE JACKPOST FSK - FLOATING JACKSCREW

SHELL SIZE	A	B	C	D	J MAX	K	M MAX	N	MAX ENTRY STYLES U, F & D	MAX ENTRY STYLE Z
09	19,68	14,35	9,0	9,0	16,2	11,05	25,4	16,5	08	10
15	23,50	18,16	9,0	12,0	17,1	11,20	26,2	17,8	08	12
21	27,30	21,97	9,0	15,0	18,0	11,63	26,7	18,7	08	13
25	29,84	24,51	9,0	16,5	19,0	12,27	27,7	20,3	08	14
31	33,66	28,32	9,0	18,0	19,2	12,09	28,7	21,8	09	15
37	37,46	32,13	9,0	19,0	19,7	12,14	31,2	23,5	09	16
51	36,20	30,86	10,0	19,8	21,8	13,91	31,8	24,8	10	17
100	54,86	45,72	11,4	21,3	25,8	17,45	33,5	26,7	11	17

ENTRY SIZE	G MIN	H
04	3,18	6,4
05	3,97	7,2
06	4,77	8,0
07	5,56	8,8
08	6,35	9,6
09	7,14	10,4
10	7,94	11,2
11	8,73	12,0
12	9,52	12,8
13	10,31	13,5
14	11,10	14,3
15	11,89	15,1
16	12,70	15,9
17	13,47	16,7
18	14,26	17,5

STYLE Z ONLY

CODE	PLATING
B	CADMIUM OLIVE DRAB OVER ELECTROLESS NICKEL
C	ELECTROLESS NICKEL
U	UNPLATED
Y	YELLOW CHROMATE OVER CADMIUM
ZB	ZINC COBALT OLIVE DRAB OVER ELECTROLESS NICKEL

LIST NOT EXHAUSTIVE - FOR COMPREHENSIVE LIST AND SPECS SEE WEBSITE

<table border="1"> <tr><td>DRAWN</td><td>K.SHEPPARD</td><td>DATE</td><td>29/11/2011</td></tr> <tr><td>SALES APPR</td><td>A.POLSON</td><td>DATE</td><td>11/11/2011</td></tr> <tr><td>DESIGN APPR</td><td></td><td></td><td></td></tr> <tr><td>QUAL APPR</td><td></td><td></td><td></td></tr> <tr><td>ISSUE</td><td>REV</td><td colspan="2">DCR</td></tr> <tr><td>6</td><td>4</td><td colspan="2"></td></tr> <tr><td colspan="2">WEIGHT</td><td colspan="2">GENERAL TOL LINEAR +/-0.1MM ANGULAR +/-1°</td></tr> </table>	DRAWN	K.SHEPPARD	DATE	29/11/2011	SALES APPR	A.POLSON	DATE	11/11/2011	DESIGN APPR				QUAL APPR				ISSUE	REV	DCR		6	4			WEIGHT		GENERAL TOL LINEAR +/-0.1MM ANGULAR +/-1°		3RD ANGLE PROJECTION NOT TO SCALE		WESTON LOCK LOWER BRISTOL ROAD BATH BA2 1EP	PAGE 2	UNLESS OTHERWISE SPECIFIED ALL DIMENSIONS IN MILLIMETRES
DRAWN	K.SHEPPARD	DATE	29/11/2011																														
SALES APPR	A.POLSON	DATE	11/11/2011																														
DESIGN APPR																																	
QUAL APPR																																	
ISSUE	REV	DCR																															
6	4																																
WEIGHT		GENERAL TOL LINEAR +/-0.1MM ANGULAR +/-1°																															
THIS DRAWING IS COPYRIGHT AND THE PROPERTY OF POLAMCO LTD. IT MUST NOT BE COPIED, USED FOR MANUFACTURE OR OTHERWISE DISCLOSED WITHOUT PRIOR WRITTEN CONSENT OF THE COMPANY.		ASSY USED ON: MIL-DTL-83513 TITLE: <h2 style="text-align: center;">BANDING BACKSHELL</h2>			MATERIAL ALUMINIUM ALLOY																												
		PART NUMBER: <h2 style="text-align: center;">RBTMM SERIES</h2>			NCAGE CODE U5792																												
					DRAWING NO: P22259																												

X-ON Electronics

Largest Supplier of Electrical and Electronic Components

Click to view similar products for [D-Sub MIL Spec Connectors](#) category:

Click to view products by [TE Connectivity](#) manufacturer:

Other Similar products are found below :

[M85049/50-5F](#) [850-056-0812](#) [1218697-4](#) [1484349-1](#) [17D25HV](#) [1996840-1](#) [243082-15](#) [1757682-1](#) [17D-E51218-1](#) [17SDA15S](#) [1883533-1](#)
[1883886-1](#) [1883889-1](#) [192900-0377](#) [M24308/8-347](#) [M83513/03-E09C](#) [443961-3](#) [5-1218949-1](#) [550-031NF1R6K](#) [3-1236089-2](#)
[550E001NF1R3J0L](#) [550T001NF1R6K0L](#) [557T283NF5B08](#) [DB121073-56](#) [DC121073157](#) [443869-3](#) [443869-4](#) [443869-5](#)
[550S004NF1R1B0F03](#) [557E283NF1A06](#) [527-019NF0303R2K1F](#) [5-446405-1](#) [550-031NF1R2E](#) [550E003M2R9J0F04](#) [550E003M3R9J0F05](#)
[550E024M104R9J0](#) [550E024NF102R3J0B](#) [550E039NF1R3J1-02](#) [550S003M3R9B0F05](#) [550S004M4R7M0F04](#) [550S004NF1R1B1F02](#)
[550S008M3F0K0F04](#) [550S086M5R3J0L](#) [550S100NF3F0E](#) [550T001M2R7E0L](#) [550T001NF1F0B1L](#) [550T001NF1R1K0G](#)
[550T001NF1R3K0G](#) [550T001NF1R4K0L](#) [550T001NF2R2K0L](#)