



Euro Series Cable Glands



Introduction to Cable Gland

Functions of Cable Gland

Cable Gland is a device designed to ease the entry of a cable, flexible cable or insulated conductor into an enclosure.

Provide a holding force on the cable to ensure adequate levels of cable pull-out resistance, and prevent lateral and axial loads being applied to the internal cable conductor terminations.

Provide additional sealing on the part of the cable entering the enclosure, when a high degree of ingress protection is required.

Provide additional environmental sealing at the cable entry point, maintaining the ingress protection rating of the enclosure and cable gland combination, with the selection of applicable accessories dedicated to performing this function.

Product Design & Construction

Raychem RPG Cable glands are designed for use with all types of electrical power, control, instrumentation, data telecommunications cables & fire rated Cables.

They are used as a sealing and termination device to ensure that the characteristics of the enclosure which the cable enters can be maintained adequately.

Sealing Mechanism

Sealing the cable from dust and moisture ensuring maximum protection to the enclosure is the most significant feature of cable glands. At Raychem RPG, we use the optimum rubber material to offer efficient sealing.

Plastic Insert

Plastic insert and seal terminates and secured the cable outer sheath and grips it ensuring mechanical strength.

Exploded View

Dome nut ergonomically designed. The gripping surfaces are generously dimensioned for wrenches.

EPDM sealing for a hermetic seal.

Lamellar design for optimum strain relief and protection of the cable

Water tight seal

Integral sealing ridges for a water tight junction with the housing.

Approvals:



Raychem RPG manufactured Cable Glands by REACH regulation (EC 1907/2006) which aims to improve the protection of human health and the environment through the better and earlier identification of the intrinsic properties of chemical substances.

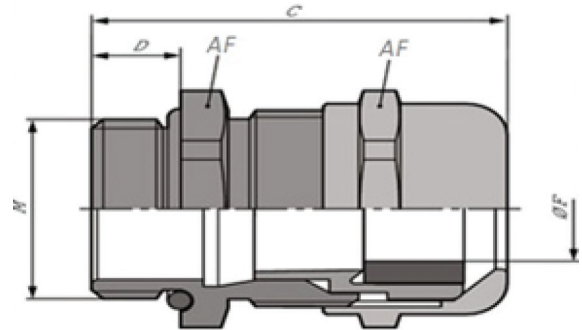


Raychem RPG manufactured Cable Glands & related accessories are ROHS compliant in accordance with RoHS directive 2015/863 (COMMISSION DELEGATED DIRECTIVE (EU)): RoHS 3 its subsequent amendment directives & is tested for the presence Of Lead (Pb), Cadmium (Cd), Mercury (Hg) Hexavalent Chromium (Hex-Cr), Polybrominated Biphenyl (PBB) and Poly brominated Diphenyl Ethers (PBDE), Bis(2-ethylhexyl) phthalate (DEHP), Butyl benzyl phthalate (BBP), Dibutyl phthalate (DBP), Disobutyl phthalate (DIBP) and observed no dangerous substance.



Raychem RPG industrial cable are CE Approved As per Applicable Low Voltage directive 2014/35/EU and Applicable Standard IEC 62444:2010. The CE marking indicates a product's compliance with EU Legislation and so enables the free movement of products within the European market. By affixing the CE marking to a product, a manufacturer declares, on his sole responsibility, that the product meets all the legal requirements for the CE marking, which means that the product can be sold throughout The European Economic Area.

Technical Data :



Benefits:

- Highly reliable.
- High quality strain relief and sealing.
- Good performance for standard industrial application.
- Easy assembly install cable gland – insert cable – tighten cap.

Applications:

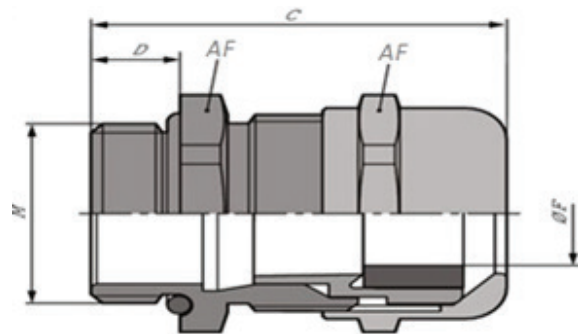
- For metal machines and housing.
- For standard industrial applications in harsh environments.
- Machine and equipment manufacturing.
- Chemical industries.

Part Code	Size M	Clamping Range ØF (mm)	AF (mm)	C (mm)	D (mm)
RESM-12	M 12 x 1,5	3.0 – 7.0	16	23 – 30	5

Material	Brass, Brass nickel plating
Sealing	EPDM
Clamping insert	PA 66
Oring	EPDM
Seal operating Temperature	-40°C to +100°C
Thread type	Metric (M) ISO Pitch 1.5 (Also available with long thread length)
Degree of protection	IP 68 (5 bar 30 min)
Mechanical strength	<ul style="list-style-type: none"> • Dynamic strain stability • High strain relief (DIN EN 62444 Tab. 2A)
Accessories	<ul style="list-style-type: none"> • Lock nut

RESM-16

Technical Data :



Benefits:

- Highly reliable.
- High quality strain relief and sealing.
- Good performance for standard industrial application.
- Easy assembly install cable gland – insert cable – tighten cap.

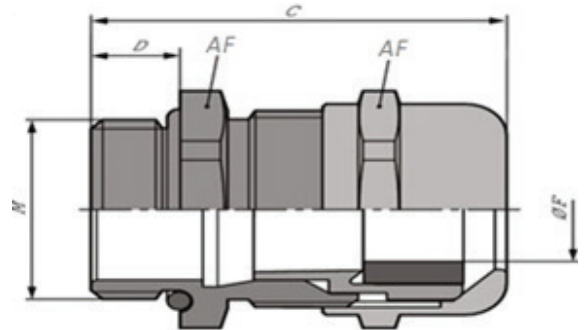
Applications:

- For metal machines and housing.
- For standard industrial applications in harsh environments.
- Machine and equipment manufacturing.
- Chemical industries.

Part Code	Size M	Clamping Range ØF (mm)	AF (mm)	C (mm)	D (mm)
RESM-16	M 16 x 1,5	4.5 – 10.0	20	26 – 34	5

Material	Brass, Brass nickel plating
Sealing	EPDM
Clamping insert	PA 66
Oring	EPDM
Seal operating Temperature	-40°C to +100°C
Thread type	Metric (M) ISO Pitch 1.5 (Also available with long thread length)
Degree of protection	IP 68 (5 bar 30 min)
Mechanical strength	<ul style="list-style-type: none"> • Dynamic strain stability • High strain relief (DIN EN 62444 Tab. 2A)
Accessories	<ul style="list-style-type: none"> • Lock nut

Technical Data :



Benefits:

- Highly reliable.
- High quality strain relief and sealing.
- Good performance for standard industrial application.
- Easy assembly install cable gland – insert cable – tighten cap.

Applications:

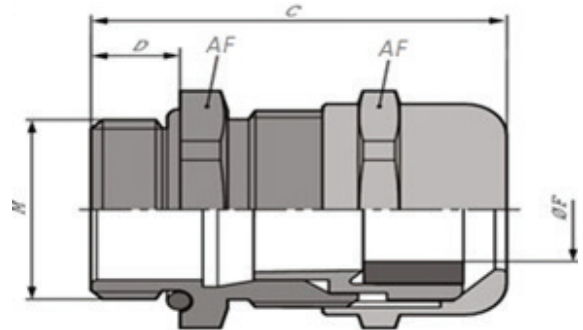
- For metal machines and housing.
- For standard industrial applications in harsh environments.
- Machine and equipment manufacturing.
- Chemical industries.

Part Code	Size M	Clamping Range ØF (mm)	AF (mm)	C (mm)	D (mm)
RESM-20	M 20 x 1,5	6.0 – 13.0	24	29 – 37	6

Material	Brass, Brass nickel plating
Sealing	EPDM
Clamping insert	PA 66
Oring	EPDM
Seal operating Temperature	-40°C to +100°C
Thread type	Metric (M) ISO Pitch 1.5 (Also available with long thread length)
Degree of protection	IP 68 (5 bar 30 min)
Mechanical strength	<ul style="list-style-type: none"> • Dynamic strain stability • High strain relief (DIN EN 62444 Tab. 2A)
Accessories	<ul style="list-style-type: none"> • Lock nut

RESM-25

Technical Data :



Benefits:

- Highly reliable.
- High quality strain relief and sealing.
- Good performance for standard industrial application.
- Easy assembly install cable gland – insert cable – tighten cap.

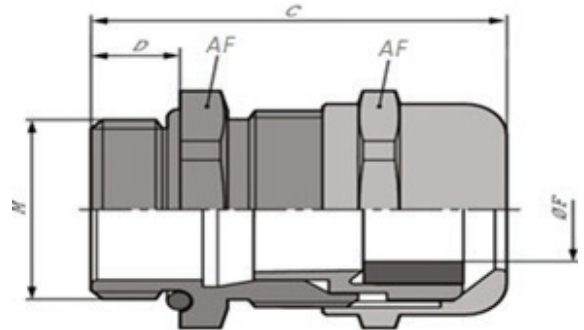
Applications:

- For metal machines and housing.
- For standard industrial applications in harsh environments.
- Machine and equipment manufacturing.
- Chemical industries.

Part Code	Size M	Clamping Range ØF (mm)	AF (mm)	C (mm)	D (mm)
RESM-25	M 25 x 1,5	9.0 – 17.0	29	33 – 42	7

Material	Brass, Brass nickel plating
Sealing	EPDM
Clamping insert	PA 66
Oring	EPDM
Seal operating Temperature	-40°C to +100°C
Thread type	Metric (M) ISO Pitch 1.5 (Also available with long thread length)
Degree of protection	IP 68 (5 bar 30 min)
Mechanical strength	<ul style="list-style-type: none"> • Dynamic strain stability • High strain relief (DIN EN 62444 Tab. 2A)
Accessories	<ul style="list-style-type: none"> • Lock nut

Technical Data :



Benefits:

- Highly reliable.
- High quality strain relief and sealing.
- Good performance for standard industrial application.
- Easy assembly install cable gland – insert cable – tighten cap.

Applications:

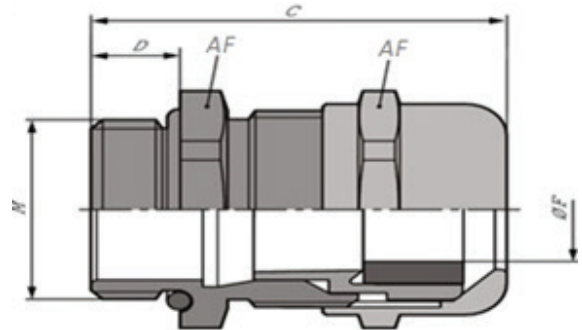
- For metal machines and housing.
- For standard industrial applications in harsh environments.
- Machine and equipment manufacturing.
- Chemical industries.

Part Code	Size M	Clamping Range ØF (mm)	AF (mm)	C (mm)	D (mm)
RESM-32	M 32 x 1,5	13.0 – 21.0	36	36 – 44	8

Material	Brass, Brass nickel plating
Sealing	EPDM
Clamping insert	PA 66
Oring	EPDM
Seal operating Temperature	-40°C to +100°C
Thread type	Metric (M) ISO Pitch 1.5 (Also available with long thread length)
Degree of protection	IP 68 (5 bar 30 min)
Mechanical strength	<ul style="list-style-type: none"> • Dynamic strain stability • High strain relief (DIN EN 62444 Tab. 2A)
Accessories	<ul style="list-style-type: none"> • Lock nut

RESM-40

Technical Data :



Benefits:

- Highly reliable.
- High quality strain relief and sealing.
- Good performance for standard industrial application.
- Easy assembly install cable gland – insert cable – tighten cap.

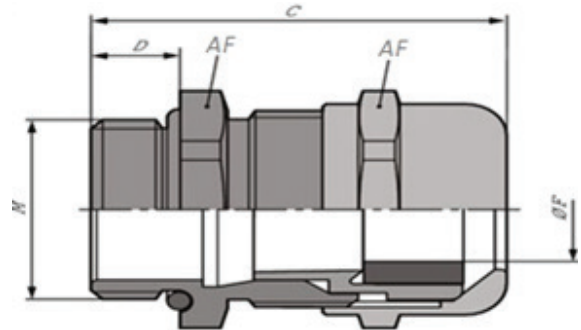
Applications:

- For metal machines and housing
- For standard industrial applications in harsh environments
- Machine and equipment manufacturing
- Chemical industries

Part Code	Size M	Clamping Range ØF (mm)	AF (mm)	C (mm)	D (mm)
RESM-40	M 40 x 1,5	16.0 – 28.0	46	44 – 55	8

Material	Brass, Brass nickel plating
Sealing	EPDM
Clamping insert	PA 66
Oring	EPDM
Seal operating Temperature	-40°C to +100°C
Thread type	Metric (M) ISO Pitch 1.5 (Also available with long thread length)
Degree of protection	IP 68 (5 bar 30 min)
Mechanical strength	<ul style="list-style-type: none"> • Dynamic strain stability • High strain relief (DIN EN 62444 Tab. 2A)
Accessories	<ul style="list-style-type: none"> • Lock nut

Technical Data :



Benefits:

- Highly reliable.
- High quality strain relief and sealing.
- Good performance for standard industrial application.
- Easy assembly install cable gland – insert cable – tighten cap.

Applications:

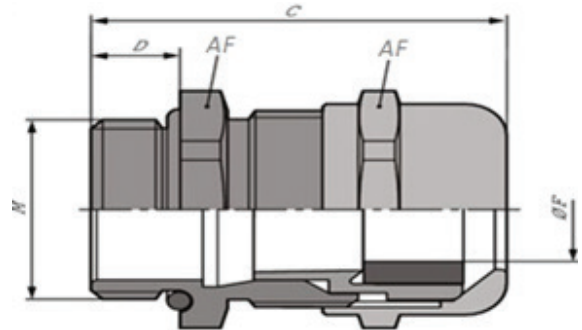
- For metal machines and housing
- For standard industrial applications in harsh environments
- Machine and equipment manufacturing
- Chemical industries.

Part Code	Size M	Clamping Range ØF (mm)	AF (mm)	C (mm)	D (mm)
RESM-50	M 50 x 1,5	21.0 – 35.0	55	51 – 62	9

Material	Brass, Brass nickel plating
Sealing	EPDM
Clamping insert	PA 66
Oring	EPDM
Seal operating Temperature	-40°C to +100°C
Thread type	Metric (M) ISO Pitch 1.5 (Also available with long thread length)
Degree of protection	IP 68 (5 bar 30 min)
Mechanical strength	<ul style="list-style-type: none"> • Dynamic strain stability • High strain relief (DIN EN 62444 Tab. 2A)
Accessories	<ul style="list-style-type: none"> • Lock nut

RESM-63

Technical Data :



Benefits:

- Highly reliable.
- High quality strain relief and sealing.
- Good performance for standard industrial application.
- Easy assembly install cable gland – insert cable – tighten cap.

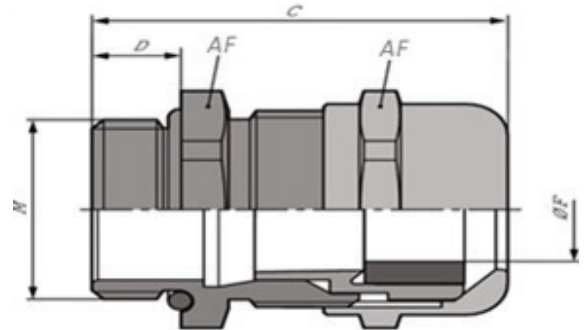
Applications:

- For metal machines and housing
- For standard industrial applications in harsh environments
- Machine and equipment manufacturing
- Chemical industries.

Part Code	Size M	Clamping Range ØF (mm)	AF (mm)	C (mm)	D (mm)
RESM-63	M 63 x 1,5	34.0 – 48.0	68	56 – 67	10

Material	Brass, Brass nickel plating
Sealing	EPDM
Clamping insert	PA 66
Oring	EPDM
Seal operating Temperature	-40°C to +100°C
Thread type	Metric (M) ISO Pitch 1.5 (Also available with long thread length)
Degree of protection	IP 68 (5 bar 30 min)
Mechanical strength	<ul style="list-style-type: none"> • Dynamic strain stability • High strain relief (DIN EN 62444 Tab. 2A)
Accessories	<ul style="list-style-type: none"> • Lock nut

Technical Data :



Benefits:

- Highly reliable.
- High quality strain relief and sealing.
- Good performance for standard industrial application.
- Easy assembly install cable gland – insert cable – tighten cap.

Applications:

- For metal machines and housing
- For standard industrial applications in harsh environments
- Machine and equipment manufacturing
- Chemical industries.

Part Code	Size M	Clamping Range ØF (mm)	AF (mm)	C (mm)	D (mm)
RESM-75	M 75 x 1,5	48.0 – 62.0	82	67 – 81	12

Material	Brass, Brass nickel plating
Sealing	EPDM
Clamping insert	PA 66
Oring	EPDM
Seal operating Temperature	-40°C to +100°C
Thread type	Metric (M) ISO Pitch 1.5 (Also available with long thread length)
Degree of protection	IP 68 (5 bar 30 min)
Mechanical strength	<ul style="list-style-type: none"> • Dynamic strain stability • High strain relief (DIN EN 62444 Tab. 2A)
Accessories	<ul style="list-style-type: none"> • Lock nut

Raychem RPG

ENGINEERING GROWTH . PIONEERING EXCELLENCE

Raychem RPG (P) Ltd.

CORPORATE OFFICE

RPG House, 463, Dr. A. B. Road, Worli, Mumbai - 400 030
Tel.: +91 22 24937485 / 24937486 | Fax.: +91 22 24938879

International Business Division (IBD) - EBU

1,62, M.G. Rd., Near Bharat Petroleum Pump, Off. Western Express Highway,
P. Satavali, Bassein, Taluka Vasai, Dist. Palghar
Tel.: +91 250 3057500 | Fax: +91 250 2480046

Email : cableglands@raychemrpg.com

www.raychemrpg.com



EURO SERIES CABLE GLANDS



Raychem RPG Manufacturers Cable Gland as per the requirement of IEC/EN 62444.

A device designed to permit the entry of a cable, flexible cable or insulated conductor into an enclosure, and which provides sealing and retention. It also provides significant functions such as insulation, cable guarding, strain relief or a combination of these. They are mechanical fittings that form part of the electrical installation material.

The PA 66 sealing inserts are long-term stable and do not outgas. This is why this cable gland is also suitable for applications outdoors and in the chemical industry. The sealing inserts consist of PA 66 and EPDM, the gland bodies of Brass, Brass Nickel Plated & Stainless steel. The glands comply with RoHS (which means free of heavy metals) and thus meet current EU requirements.

Benefits: -

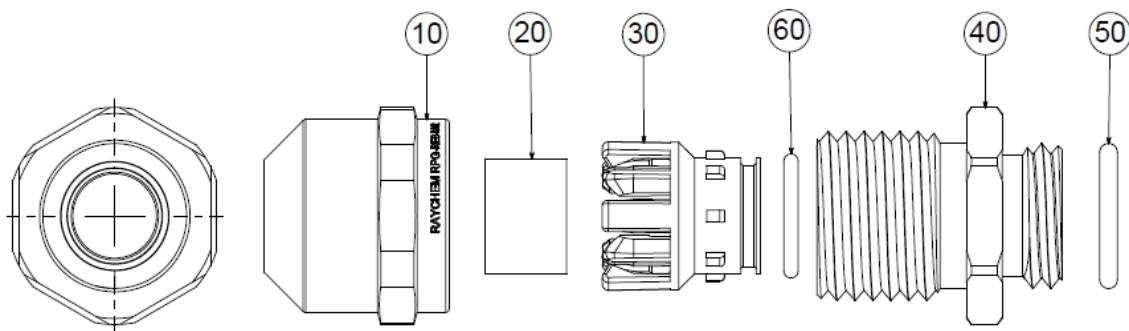
- Highly reliable.
- High quality strain relief and sealing.
- Good performance for standard industrial application.
- Easy assembly: install cable gland – insert cable – tighten cap.

Application: -

- For metal machines and housing.
- For standard industrial applications in harsh environments.
- Machine and equipment manufacturing.
- Chemical industries.

Technical data: -

Material	Brass, Brass Nickel Plating, Stainless steel
Sealing	EPDM
Clamping insert	PA 66
O ring	EPDM
Seal operating Temperature	-40°C to +100°C
Thread type	Metric (M) ISO Pitch 1.5 (Also available with long thread length)
Degree of protection	IP 68 (5 bar 30 min)
Mechanical strength	High strain relief
Application area	Industrial, chemical industries, petrochemical industries



POS NO.	DESCRIPTION	MATERIAL
10	ENTRY NUT	BRASS / SS316L
20	SEALING RUBBER	EPDM
30	PLASTIC INSERT	POLYAMIDE 66
40	CONE BODY	BRASS / SS316L
50	'O' RING	EPDM
60	'O' RING	EPDM

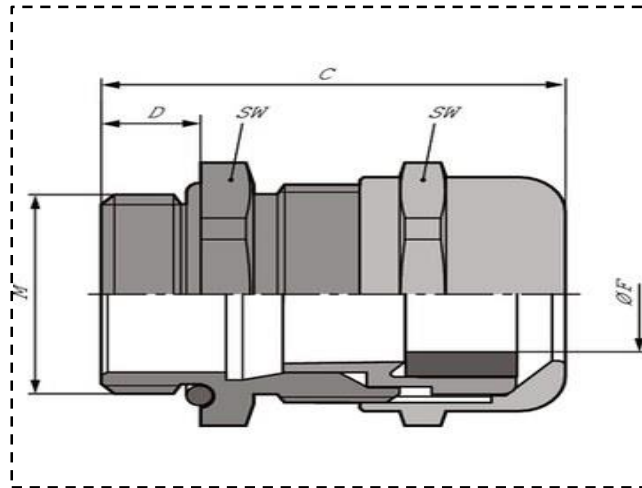


Table: 1 Metric/short thread

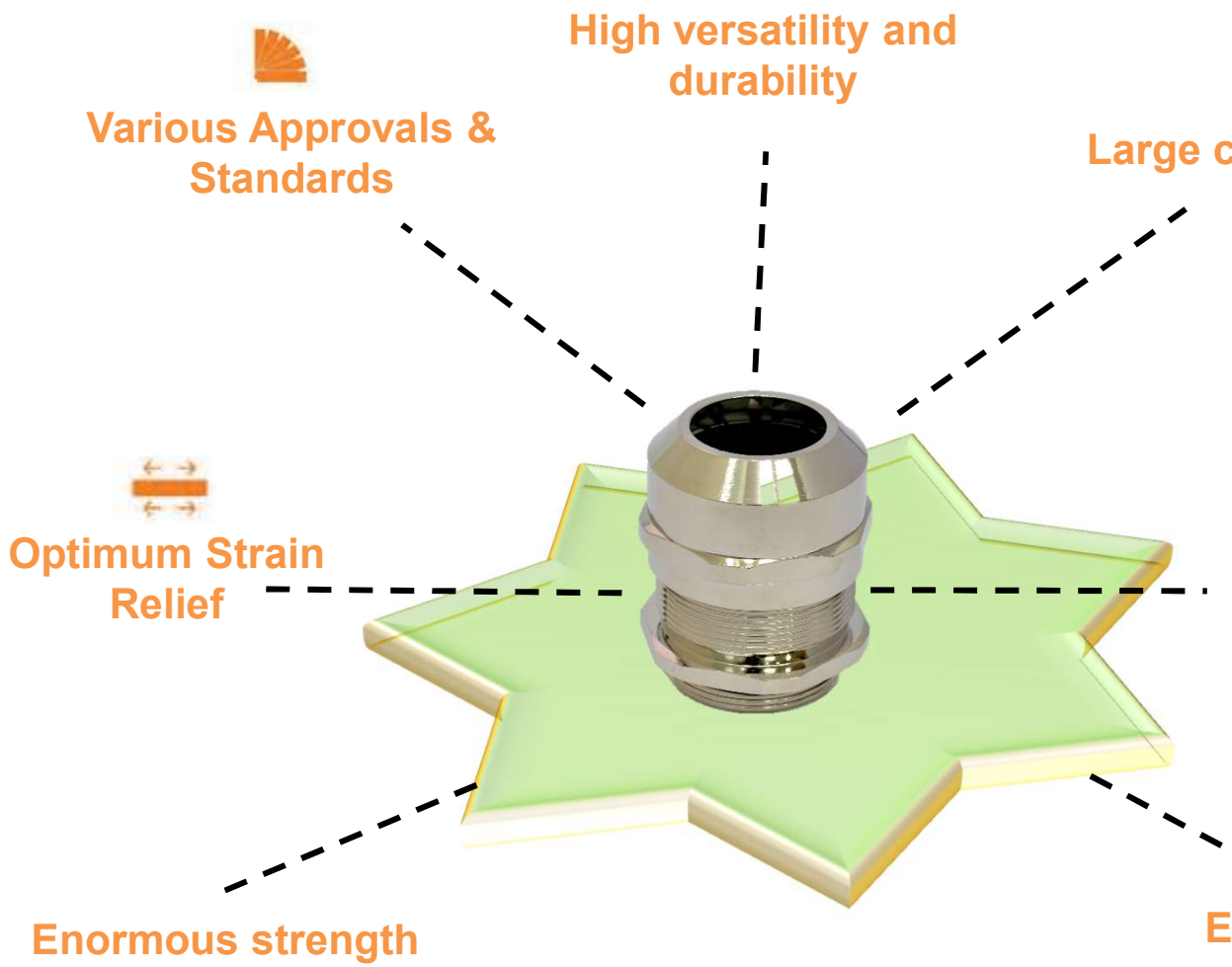
Part code	Size M	Clamping Range ØF (mm)	SW (mm)	C (mm)	D (mm)
RESM-12	M 12 x 1,5	3.0 – 7.0	16	23 – 30	5
RESM-16	M 16 x 1,5	4.5 – 10.0	20	26 – 34	5
RESM-20	M 20 x 1,5	6.0 – 13.0	24	29 – 37	6
RESM-25	M 25 x 1,5	9.0 – 16.0	29	33 – 42	7
RESM-32	M 32 x 1,5	13.0 – 21.0	36	36 – 44	8
RESM-40	M 40 x 1,5	16.0 – 28.0	46	44 – 55	8
RESM-50	M 50 x 1,5	21.0 – 35.0	55	51 – 62	9
RESM-63	M 63 x 1,5	34.0 – 48.0	68	56 – 67	10
RESM-75	M 75 x 1,5	48.0 – 62.0	82	67 – 81	12



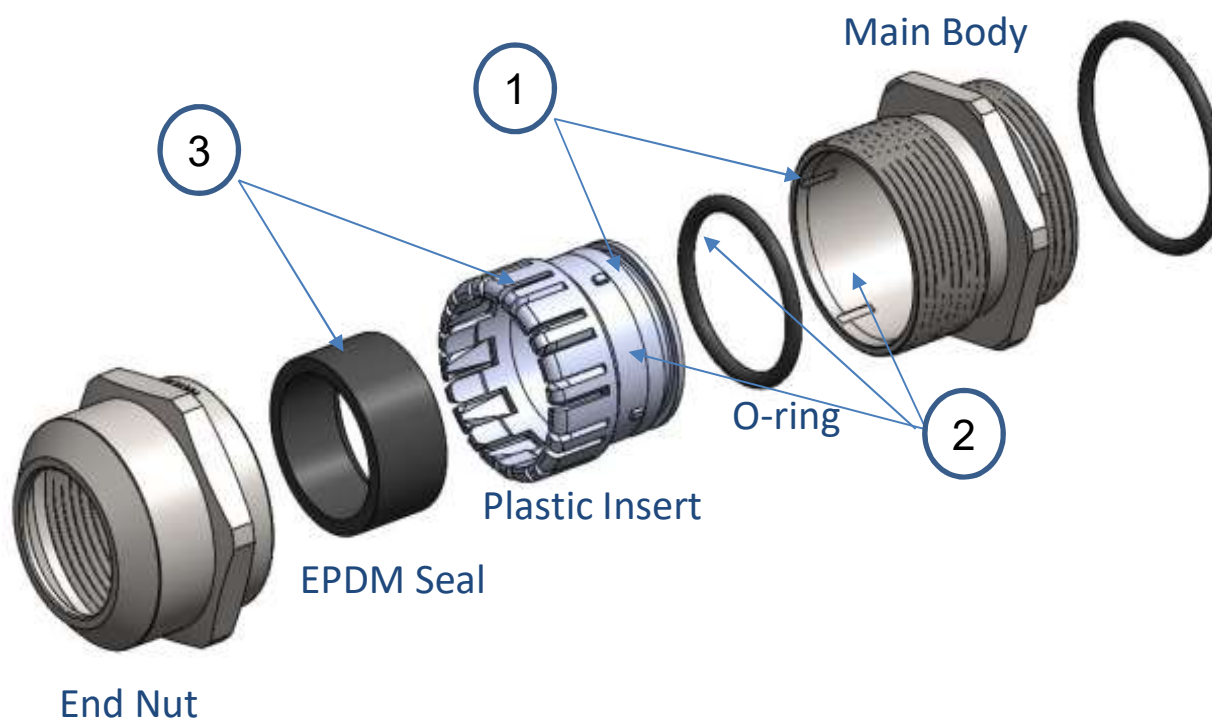
Euro Series Cable gland



Why choose Euro series?.. Several Reasons



Functions

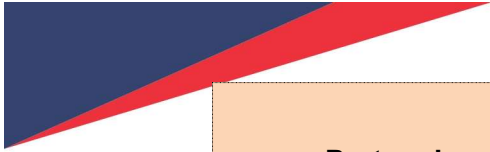


- 1. Anti-twisting** – Added notch in the plastic and metal part
- 2. IP 68** – Added special profile in plastic and metal part and O-ring
- 3. Strain relief** – Modified fins and rubber part

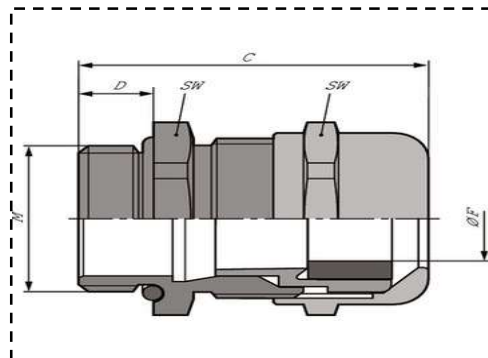


Technical details

Material	Brass, Brass nickel plating.
Sealing	EPDM
Clamping insert	PA 66
O ring	EPDM
Seal operating Temperature	-40°C to +100°C
Thread type	Metric (M) ISO Pitch 1.5 (Also available with thread length)
Degree of protection	IP 68
Mechanical strength	High strain relief
Accessories	Lock nut
Sizes	M12 to M75



Part code	Size Metric	Clamping Range $\varnothing F$ (mm)	SW (mm)	C (mm)
RESM-12	M 12 x 1,5	3.0 – 7.0	16	23 – 30
RESM-16	M 16 x 1,5	4.5 – 10.0	20	26 – 34
RESM-20	M 20 x 1,5	6.0 – 13.0	24	29 – 37
RESM-25	M 25 x 1,5	9.0 – 17.0	29	33 – 42
RESM-32	M 32 x 1,5	13.0 – 21.0	36	36 – 44
RESM-40	M 40 x 1,5	16.0 – 28.0	46	44 – 55
RESM-50	M 50 x 1,5	21.0 – 35.0	55	51 – 62
RESM-63	M 63 x 1,5	34.0 – 48.0	68	56 – 67
RESM-75	M 75 x 1,5	48.0 – 62.0	68	56 – 67





Product Tested as per below.

Since the Euro-series cable glands are used in various stressful and applications and environments, they are tested in order to meet the diverse industries.

Compliance with European standards such as performance standards vital to ensure aspects such as functional safety, the longevity of performance continuity of operation for mission-critical applications. And in order to meet standards, the cable glands have to comply with specific construction requirements such as the material used, maximum cable diameter, minimum wall

ELCA LABORATORIES Trust Built Up Over 40 Years Of Service To Industry
AN ISO/IEC 17025 ACCREDITED MATERIAL TESTING LAB

Plot No. - Gen - 62, TTC Industrial Area, MIDC, Mahape, Navi Mumbai - 400 710.
Tel.: (022) 685 11 222, E-mail : info@elcalabs.com Web : www.elcalabs.com

Continuation Sheet of Test Report No: E-2036 and E-2037



2. CABLE ANCHORAGE TEST
Test Standard: IEC 62444:2010 Clause no. 9.3 / BS EN 62444:2013 Clause no. 9.3
Test Date: 03.06.2019

Elca No.	Mandrel Size (mm)	Applied Weight for Cable Anchorage Test (N)	Acceptance Criteria as per Specification	Results
E-2036/A	3.00	---	Displacement shall not exceed 2 mm	Satisfactory.
E-2036/B	7.00	30	Displacement shall not exceed 2 mm	Satisfactory.
E-2037/A	48.00	100	Displacement shall not exceed 2 mm	Satisfactory.
E-2037/B	62.00	115	Displacement shall not exceed 2 mm	Satisfactory.

Page 2 of 7

Cable retention test

Acceptance criteria:- The load is maintained for 5 min and end of period the displacement shall not exceed 2mm

Cable anchorage test: -

The test mandrel is pulled 50 and end of period displacement


Cable twist test

The torque is applied for 1 mi mandrel shall not turn by mor

ELCA LABORATORIES Trust Built Up Over 40 Years Of Service To Industry
AN ISO/IEC 17025 ACCREDITED MATERIAL TESTING LAB


Plot No. - Gen - 62, TTC Industrial Area, MIDC, Mahape, Navi Mumbai - 400 710.
Tel.: (022) 685 11 222, E-mail : info@elcalabs.com Web : www.elcalabs.com

Continuation Sheet of Test Report No: E-2036 and E-2037



3. CABLE ANCHORAGE TWIST TEST
Test Standard: IEC 62444:2010 Clause no. 9.3 / BS EN 62444:2013 Clause no. 9.3
Test Date: 03.06.2019

Elca No.	Mandrel Size (mm)	Applied Weight for Cable Twist Test (N)	Acceptance Criteria as per Specification	Results
E-2036/B	7.00	0.10	Displacement shall not exceed 2 mm	Satisfactory.
E-2037/B	62.00	1.20	Displacement shall not exceed 2 mm	Satisfactory.



Typical Set-up for Cable Anchorage Twist Test

ELCA LABORATORIES *Trust Built Up Over 40 Years Of Service To Industry*
 AN ISO/IEC 17025 ACCREDITED MATERIAL TESTING LAB

Plot No. Gen - 62, TTC Industrial Area, MIDC, Mahape, Navi Mumbai - 400 710.
 Tel. : (022) 685 11 222, E-mail : info@elcalabs.com Web : www.elcalabs.com


LAB ACCREDITED BY NABL
 TCIR/13

Continuation Sheet of Test Report No: E-2036 and E-2037

4. RESISTANCE TO IMPACT TEST (Category 6)

Test Standard: IEC 62444:2010 Clause no. 9.5 / BS EN 62444:2013 Clause no. 9.5
 Preparation: The sample was kept in cold chamber at -45°C for 8 hours prior to test.
 Test Date: 04.06.2019

ELCA No.	Mandrel Size (mm)	Striking Element Weight (Kg)	Drop Height (Meter)	Test Temperature (°C)	Observation	Remarks
E-2036/A	3.00	1	0.7	-45	No cracks or damages found on impact areas.	Satisfactory
E-2037/A	48.00	1	0.7	-45	No cracks or damages found on impact areas.	Satisfactory



Typical Set-up for Resistance to Impact Test

Page 4 of 7

Impact test

Acceptance criteria:-After the test there shall no sign of disintegration nor shall there be any cracks visible to normal vision

IP test

Acceptance criteria:-To have pass if there is no water

ELCA LABORATORIES *Trust Built Up Over 40 Years Of Service To Industry*
 AN ISO/IEC 17025 ACCREDITED MATERIAL TESTING LAB

Plot No. Gen - 62, TTC Industrial Area, MIDC, Mahape, Navi Mumbai - 400 710.
 Tel. : (022) 685 11 222, E-mail : info@elcalabs.com Web : www.elcalabs.com

LAB ACCREDITED BY NABL
 TCIR/13


Continuation Sheet of Test Report No: E-2036 and E-2037

6. TEST FOR INGRESS PROTECTION (IP66)

Test Standard: IEC 60529:2013

Sr. No.	Name of the Test	IEC 60529:2013 Clause Reference
1.	Protection against Solid Foreign object indicated by the first characteristic numeral (Dust Test) IP6X	Cl. 13.4.0
2.	Protection against Ingress of Water indicated by the second characteristic numeral (Water Jet nozzle) IPX8	Cl. 13.4.1 (Lowest enclosure located 1 meter below surface water for 30 min)

The IP test procedure is based on IEC 60529:2013 (Code). Cable glands with specified mandrels are used. After completion of each test, sample was visually inspected for any ingress of water.



After Dust Test

E-2036/A



Equipotential bonding to electrical equipment



The Cable gland is assembled to metal plate and resistance measured between plate and cable gland should not exceed 0.1Ω



INSTITUTE OF TESTS
(INDIA)

Clauses	Requirement - Test
---------	--------------------

Table: 2

TEST Method as per Clause No: 10.1 Equipotential Bonding		
Sr. No	Name	M
1.	Ground Bond Test	Applied Test Dur
Photograph of		
Sr. No	Product	
1.	  RESM-12	
	Maximum Measured Resistance=6.7mΩ	M R

Test Report No.- ITC/TEST/N/1803/37



Certifications & Approval



Raychem RPG Euro series cable gland are CE Approved As per Ap directive 2014/35/EU and Applicable Standard EN 62444:2013. T product's compliance with EU Legislation and so enables the free within the European market. By affixing the CE marking to a proo declares, on his sole responsibility, that the product meets all the CE marking, which means that the product can be sold throughout Area.



Raychem RPG manufactured Cable Glands & related accessories accordance with RoHS directive 863 & its subsequent amendmen for the presence Of Lead (Pb), Cadmium (Cd), Mercury (Hg) Hexa Cr), Polybrominated Biphenyl (PBB) and Poly brominated Diphen Bis(2-ethylhexyl) phthalate (DEHP), Butyl benzyl, phthalate (BBP) Diisobutyl phthalate (DIBP) observed no dangerous substance.



Raychem RPG manufactured Cable Glands by REACH regulation (aims to improve the protection of human health and the environ better and earlier identification of the intrinsic properties of che

EU Declaration of Conformity

Raychem RPG



EU Declaration of Conformity

The undersigned representing the following supplier:

Manufacturer : M/s Raychem RPG Pvt. Ltd.
Address : 463, RPG House, Dr. Annie Besant Road, Worli, Mumbai 400 030
Certificate No. : RRPL/CG/ES/CE/DOC
Test Report No. : ITC/TEST/N/1803/37

Herewith declare under our sole responsibility:

Our Product(s): Euroseries Cable Glands
Product Identification: RESM-XXX Series

These products are in conformity with the provision of the following EU directive when used accordance with the instructions contained in the product documentation.
2014/35/EU Low Voltage Directive

And that the harmonized standard referenced below has been applied:

EN/IEC 62444:2013 Cable Glands for electrical installations
Year of CE Marking: 2018

The authorized representative located within the community maintains a copy of the technical documentation required by the directives: TCF Doc No.: RRPL/TCF/CG/ES/01/00 (Issue 1, Rev. 0)
Raychem RPG Pvt Ltd, 1/62, M.G. Road, Near Bharat Petroleum Pump, Off Western Express Highway, Post Sativalli, Bassein, Taluka Vasai, 401208 Palghar, India. E-mail: cableglands@raychemrpg.com

I hereby declare that the product named above meets the essential requirements of, is in conformity with, and the CE mark has been applied according to, the relevant EU directives listed above using the relevant sections of the EN standards and other normative documents listed above. This declaration of conformity is based on an evaluation of representative samples of the above mentioned products.

Authorized Signatory,



Satishkumar Deshpande
General Manager, IBD
Raychem RPG Pvt. Ltd.
Date: 24-04-2018
Place: Vasai, Maharashtra, INDIA






(A TE-Connectivity - RPG Enterprises JV)

Future: EMC Cable Glands

- Ongoing work with RIC to launch the EMC (ElectroMagnetic Compatibility) glands in Q1 of FY21.



Contact Spring type



Earthing cone type

Earthing Cones





Applications

- The euro series cable glands find major application across industries such as wind power, food industry, railway, automobile, plant engineering, oil and gas, automation, and chemicals. This is due to its inherent quality of strain relief.
- The innovative engineering and design help the Euro-series cable glands comply with all of the latest standards. This offers inimitable quality and safety. Built in a variety of materials, sizes, and thread forms, the Euro-series cable glands conform to popular industry standards such as ISO 9001:2015, EN 62444:2013, IEC 62444:2010.
- Whether there is a need for general industry application or one in hazardous and demanding environments, the Euro-series cable glands can efficiently stand up to the test and meet every industrial requirement with ease.



India's Best Companies
To Work For 2017
A GROUP BY
THE ECONOMIC TIMES

THANK YOU



(A TE-Connectivity - RPG Enterprises JV)

X-ON Electronics

Largest Supplier of Electrical and Electronic Components

Click to view similar products for [Cable Glands, Strain Reliefs & Cord Grips](#) category:

Click to view products by [TE Connectivity](#) manufacturer:

Other Similar products are found below :

[120-116-1-1-20BP](#) [120-116-1-1-32BE](#) [120-117-40](#) [120-123-14](#) [120-123-16](#) [120-125-16](#) [120-125-16R](#) [120-125-16Y](#) [120-125-24Y](#) [120-125-28](#) [120-125-28R](#) [120-125-32](#) [120-125-32R](#) [120-125-40](#) [120-125-56](#) [120-126-14](#) [120-126-16](#) [120-126-20](#) [120-126-20BL](#) [120-126-20R](#) [120-126-24](#) [120-126-28](#) [120-126-32](#) [120-126-40BL](#) [120-116-1-1-06BP-509](#) [120-116-1-1-06CP](#) [120-116-1-1-16BE](#) [120-116-1-1-28BP](#) [120-123-20](#) [120-123-24](#) [120-123-32](#) [120-125-20](#) [120-125-20Y](#) [120-125-24](#) [120-125-24R](#) [120-125-28Y](#) [120-126-14BL](#) [120-126-16R](#) [120-126-16Y](#) [120-126-24BL](#) [120-126-28BL](#) [120-126-32BL](#) [120-126-40](#) [120-126-48](#) [120-126-48BL](#) [1300980012](#) [1300980105](#) [DBZM-6828](#) [1498](#) [15190-103 R2](#)