

4

3

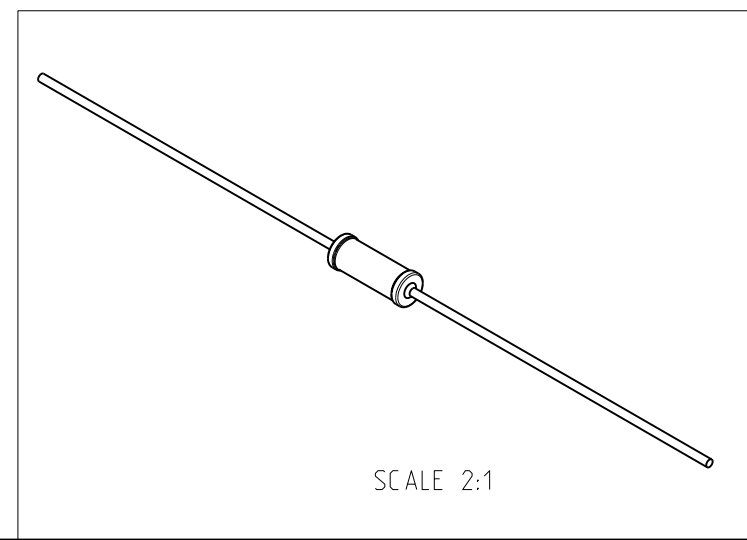
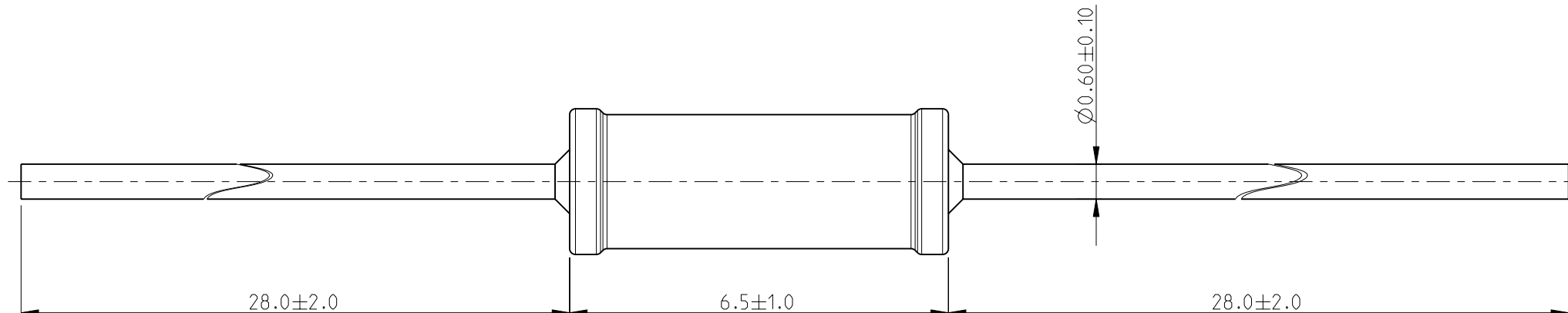
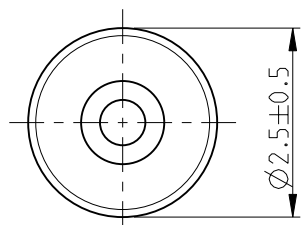
2


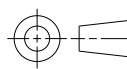
1

THIS DRAWING IS UNPUBLISHED. RELEASED FOR PUBLICATION 2008
 © COPYRIGHT 2008 - ALL RIGHTS RESERVED.

LOC	DIST	REVISIONS			
P	LTR	DESCRIPTION	DATE	DWN	APVD
	BA1	REVISED PER ECO-11-005150	29MAR2011	RK	HMR

FOR FURTHER INFORMATION SEE DATA SHEET FOR
 SERIES RGP- METAL GLAZE FIXED RESISTORS



THIS DRAWING IS A CONTROLLED DOCUMENT.		DWN	22-DEC-08		 TE Connectivity			
DIMENSIONS:		CHK	22-DEC-08					
mm		APVD	22-DEC-08					
		NAME	STEPHEN.P					
TOLERANCES UNLESS OTHERWISE SPECIFIED:		PRODUCT SPEC	-		METAL GLAZE FIXED RESISTORS STYLE RGP0207CH			
0 PLC	± 0.2	APPLICATION SPEC	-		SIZE	CAGE CODE	DRAWING NO	RESTRICTED TO
1 PLC	± 0.1	WEIGHT	-		A3	00779	1623708	-
2 PLC	$\pm -$	CUSTOMER DRAWING		SCALE	10:1		SHEET	1 OF 1
3 PLC	$\pm -$							REV
4 PLC	$\pm -$							BA1
ANGLES	$\pm 5^\circ$							
MATERIAL	-							
FINISH	-							

X-ON Electronics

Largest Supplier of Electrical and Electronic Components

Click to view similar products for [Thick Film Resistors - Through Hole](#) category:

Click to view products by [TE Connectivity](#) manufacturer:

Other Similar products are found below :

[M8340104M4701GCD03](#) [M8340105K3300GGD03](#) [M8340105K3922FGD03](#) [M8340106K1002JCD03](#) [M8340107K1002GGD03](#)
[M8340107K1152FGD03](#) [M8340107K2701GCD03](#) [M8340107M2002GCD03](#) [M8340108K1000GCD03](#) [M8340108K5601GCD03](#)
[M8340108M2203GCD03](#) [M8340109K1002JCD03](#) [M8340109K2001GCD03](#) [M8340109K5101GGD03](#) [FHV05010M0FKRB](#) [MOX-2-125005F](#) [MP850-3.00-1%](#) [MS220-1K-1%](#) [hte24511kf](#) [SM-SP093](#) [ARC3.11 2M J A](#) [M8340105K1001GCD03](#) [M8340105K3002GGD03](#)
[M8340105M1002JGD03](#) [M8340107K2001GGD03](#) [M8340107K4701GGD03](#) [M8340107K5101GGD03](#) [M8340107K5600GGD03](#)
[M8340108K4990FGD03](#) [M8340108K49R9FGD03](#) [M8340108M10R0GGD03](#) [M8340109K2202GGD03](#) [M8340109K5601GCD03](#) [MOX-GRD-001](#) [MOX-SP020](#) [MOX-SP025E](#) [M8340107K2001GCD03](#) [M8340102M4701GBD04](#) [M8340102K1002GBD04](#)
[M8340102K1002GAD04](#) [M8340109K2002GGD03](#) [M8340108K22R0GGD03](#) [M8340107M5100GGD03](#) [OE1305](#) [WMHP100-R22J](#)
[M8340104K39R2FCD03](#) [M8340106MA012JHD03](#) [M8340107K1003GGD03](#) [MS126-9.09K-0.1%](#) [MS126-249K-0.1%](#)