

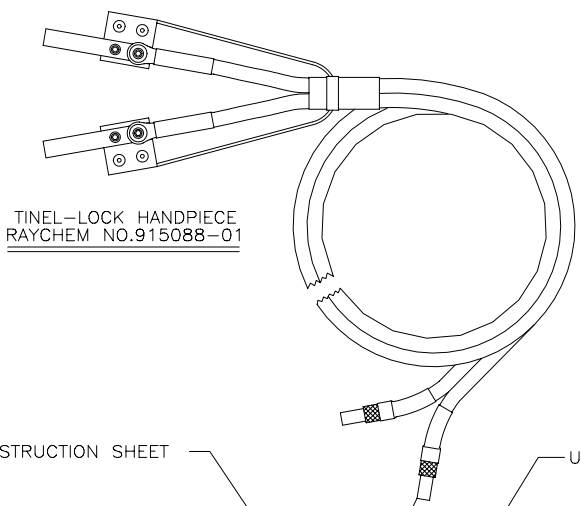
4

3

2

1

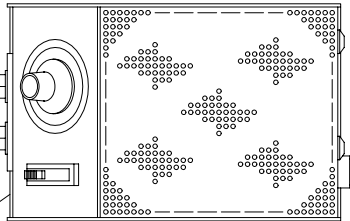
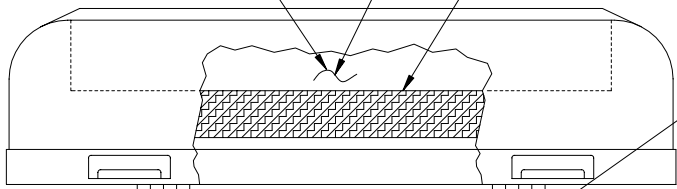
REVISIONS			
LTR	DESCRIPTION	DATE	APPROVED
NC	RELEASED TO MFG. PER ECN NO. T-16631	8/22/91	GMR
A	REVISED FOOTSWITCH CALLOUT PER DCR NO. T966028	10/9/96	GMR



TINEL-LOCK HANDPIECE  
RAYCHEM NO.915088-01

INSTRUCTION SHEET

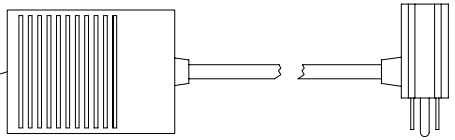
UPPER FOAM INSERT



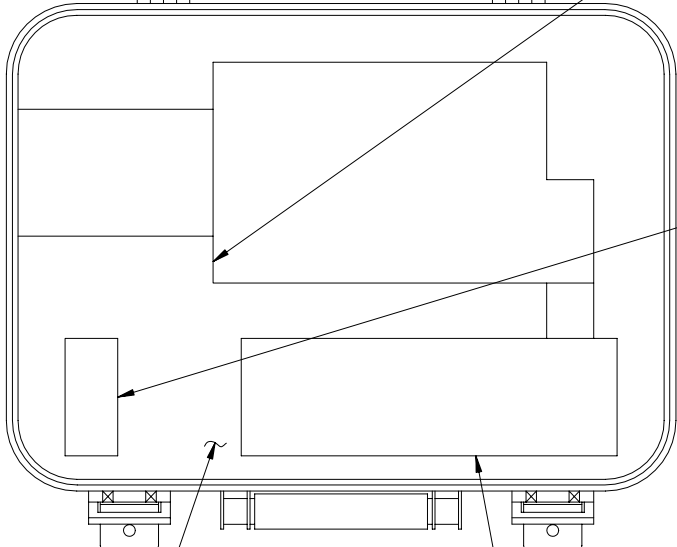
TRANSFORMER, AMERICAN  
BEAUTY NO.105-A12 (120V)

NOTES:

1. CASE DIMENSIONS:  
14.00 LONG X 10.00 WIDE X 7.00 DEEP  
(TOP HALF IS 3.00 DEEP, BOTTOM HALF IS 4.00 DEEP)
2. ALL DIMENSIONS INDICATED AND NOMENCLATURE SHOWN ON THIS DRAWING ARE FOR REFERENCE PURPOSES ONLY.
3. THIS KIT CAN BE ORDERED FROM RAYCHEM CORPORATION UNDER PART NO.173643 FOR THE 120V UNIT (DWG NO. RH-3960-1).



FOOTSWITCH, AMERICAN  
BEAUTY NO. 10519 OR EQUIVALENT



LOWER FOAM INSERT

STORAGE SPACE FOR POWER CORDS

SPECIFICATION CONTROL DRAWING © Raychem Corporation 1991

DRAWN	G.ROSITANO	91JUL31	<i>Raychem</i>		RAYCHEM CORPORATION 300 CONSTITUTION DRIVE MENLO PARK, CALIFORNIA 94025			
CHECKED	A.L.HADLEY	91AUG14						
APPROVED	A.L.HADLEY	91AUG14	TITLE TINEL-LOCK RING TERMINATION KIT 120 VAC					
APPROVED								
CAD NAME			3960-1S		SIZE	CODE IDENT. NO.	DWG. NO.	REV
THIRD ANGLE PROJECTION					C	06090	RH-3960-1	A
DO NOT SCALE THIS DRAWING					SCALE:	HALF	SHEET	1 OF 1

4

3

2

1

SHEET  
DWG NO. RH-3960-1

## X-ON Electronics

Largest Supplier of Electrical and Electronic Components

*Click to view similar products for [Circular MIL Spec Strain Reliefs & Adapters](#) category:*

*Click to view products by [TE Connectivity](#) manufacturer:*

Other Similar products are found below :

[896227-000](#) [899170S004](#) [0113-023-000](#) [6000-063-0022](#) [CS6624-000](#) [620AB038Z136](#) [620AS001Z108](#) [620AS038Z112](#) [620AS038Z120](#)  
[620AS038Z132](#) [620FB038NF08](#) [620HA038NF09](#) [620HA038NF11](#) [620HA038NF13](#) [620HA038NF25](#) [620HB049NF17](#) [620HS038NF11](#)  
[620HS038Z121](#) [620HS042XM19](#) [620HS042XM25](#) [620HS048B17](#) [620MS064NF12](#) [620MS065Z107](#) [620MS065ZNU06](#) [627-123NF21-11](#)  
[627-125NF23-6](#) [630J041M06H](#) [630J041M20H](#) [637S010NF0212H](#) [637S010NF0416A](#) [640830-000](#) [659943-000](#) [66241-10A](#) [CW0597-000](#)  
[CW0598-000](#) [CW0948-000](#) [CY0122-000](#) [M85049/41-6A W/B](#) [M85049/42-12DS](#) [M85049/47N8](#) [M85049/51-1-14S](#) [M85049/51S16S](#)  
[M85049/60-1N16](#) [M85049/60-2G12W](#) [M85049/69-11N](#) [CZ3661-000](#) [D02922-000](#) [70.360.1628.0](#) [703797-000](#) [705825-000](#)