

ECN #	APPROV.	DATE
1	MAC	8-19-98

SAFETY ORGANIZATIONS

THIS JACK HAS BEEN FORMALLY RECOGNIZED, CERTIFIED OR APPROVED BY THE LISTED AGENCY. THEREFORE, ALL TEST/REQUIREMENTS SPECIFIED IN THE LATEST REVISION OF THE FOLLOWING AGENCY STANDARDS HAVE BEEN MET.

UL RECOGNIZED UL 1863
 CSA CERTIFIED CSA C22.2 No. 182.4

SPECIFICATIONS

CONTACTS

MATERIAL: PHOSPHOR BRONZE
 PLATING: 50 MICROINCHES GOLD
 BARRIER UNDERPLATING: 100 MICROINCHES NICKEL
 RESISTANCE:
 INITIAL: 20 MILLIOHMS MAXIMUM
 AFTER DURABILITY TESTING
 (500 MATING CYCLES): 30 MILLIOHMS MAXIMUM

FERRITES

TYPE: HIGH RESISTIVITY, NICKEL ZINC CERAMIC
 BLOCK: MULTI-APERTURE RECTANGULAR PRISM

SHIELD MATERIAL

SOLDER-PLATED COPPER ALLOY

HOUSING MATERIAL

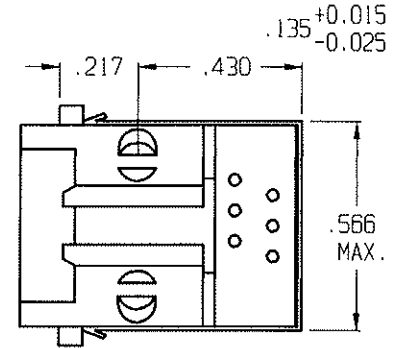
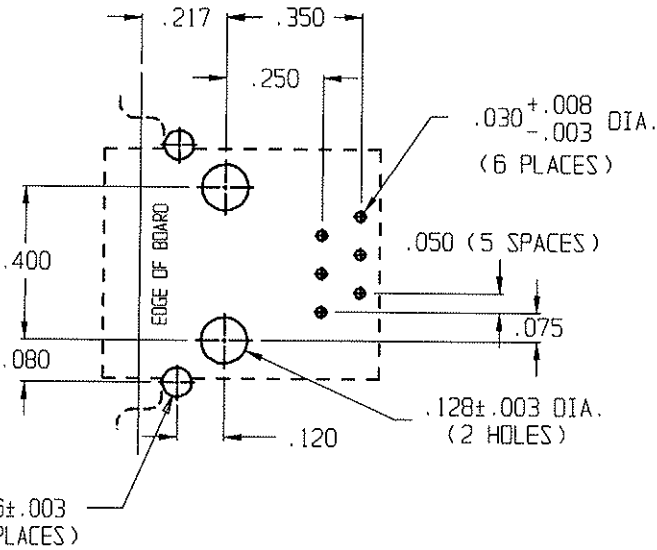
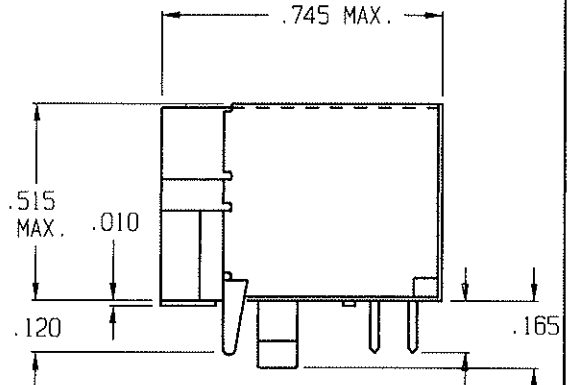
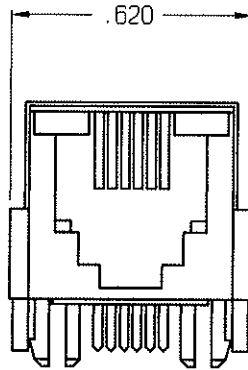
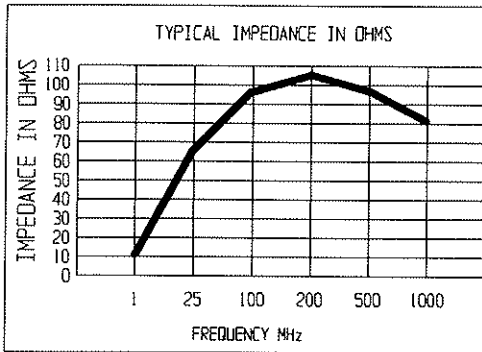
GLASS-FILLED POLYESTER (UL94V-0)

DIELECTRIC WITHSTANDING VOLTAGE

LINE-TO-LINE AND LINE-TO-GROUND 1000 VAC FOR 60 SECONDS

PRINTED CIRCUIT BOARD RETENTION

BEFORE SOLDERING: 1 LB. MINIMUM
 AFTER SOLDERING: 20 LB. MINIMUM



COMPLIES WITH FCC PART 68

PC BOARD LAYOUT

THIRD ANGLE PROJECTION		
	844 E. ROCKLAND RD. LIBERTYVILLE IL 60048	
UNLESS OTHERWISE SPECIFIED, TOLERANCE TO BE ±.010 MATERIAL & FINISH: AS SUPPLIED	FILTERED MODULAR JACK	
This document is proprietary to CORCOM INC and is not to be reproduced nor used for manufacturing purposes except on CORCOM'S prior written consent.	CAD FILE: G:\NCDNRJ11GMB00 SCALE: NTS DATE: 8-14-98 DRW. BY: SD ORTG: MAC	CATALOG NO. RJ11-6N4-B REV. 00

X-ON Electronics

Largest Supplier of Electrical and Electronic Components

Click to view similar products for [Modular Connectors / Ethernet Connectors](#) category:

Click to view products by [TE Connectivity](#) manufacturer:

Other Similar products are found below :

[8949-H88/06BLKA/SN](#) [74441-0010/BKN](#) [MP1010RX-1000](#) [MP44RX-1000](#) [PHJ-4P4C-1-V-4](#) [PHP-6P6C-5](#) [GAX-3-66](#) [GAX-8-62](#) [GDCX-PA-66-50](#) [GDCX-PN-64](#) [GDCX-PN-66](#) [GDCX-PN-66-50](#) [GDLX-A-66](#) [GDLX-N-66](#) [GDLX-S-66](#) [GDLX-S-88K](#) [GDTX-S-88-50](#) [GDX-PA-1010](#) [GLX-N-1010M-BLK](#) [GLX-S-88M-BLK](#) [GMX-N-1010](#) [GMX-S-1010](#) [GMX-S-66](#) [GMX-SMT4-N-88](#) [GPX-2-64](#) [GSGX-N-2-88](#) [GSGX-N-4-88](#) [GSX-NS2-88-3.05](#) [GSX-NS2-88-3.05-50](#) [GSX-NS-88-3.05-50](#) [PT-108A-8C-UL](#) [PT-J951-8C](#) [PTS-J531-8CS-50UL](#) [1-1775629-2](#) [A-2014-0-4](#) [GWLX-S-88-GR](#) [GWLX-S9-88-YG](#) [DC-1021-8-WH-6](#) [1300530003](#) [1324640-4](#) [RJ11FTVC2G](#) [RJ11FTVC2N](#) [RJFTVX2SA1G](#) [132764-001](#) [1413235](#) [MP88X-1000](#) [MPS88RX-5000](#) [E5288-S000K3-L](#) [E5908-15A242-L](#) [155302-001](#)