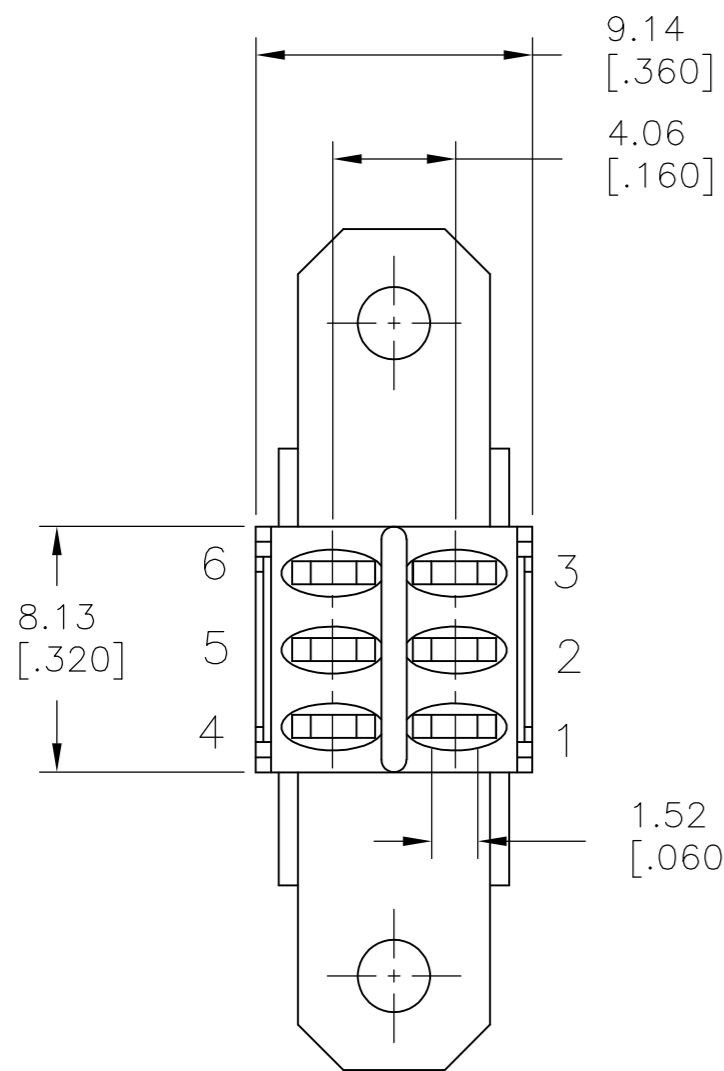
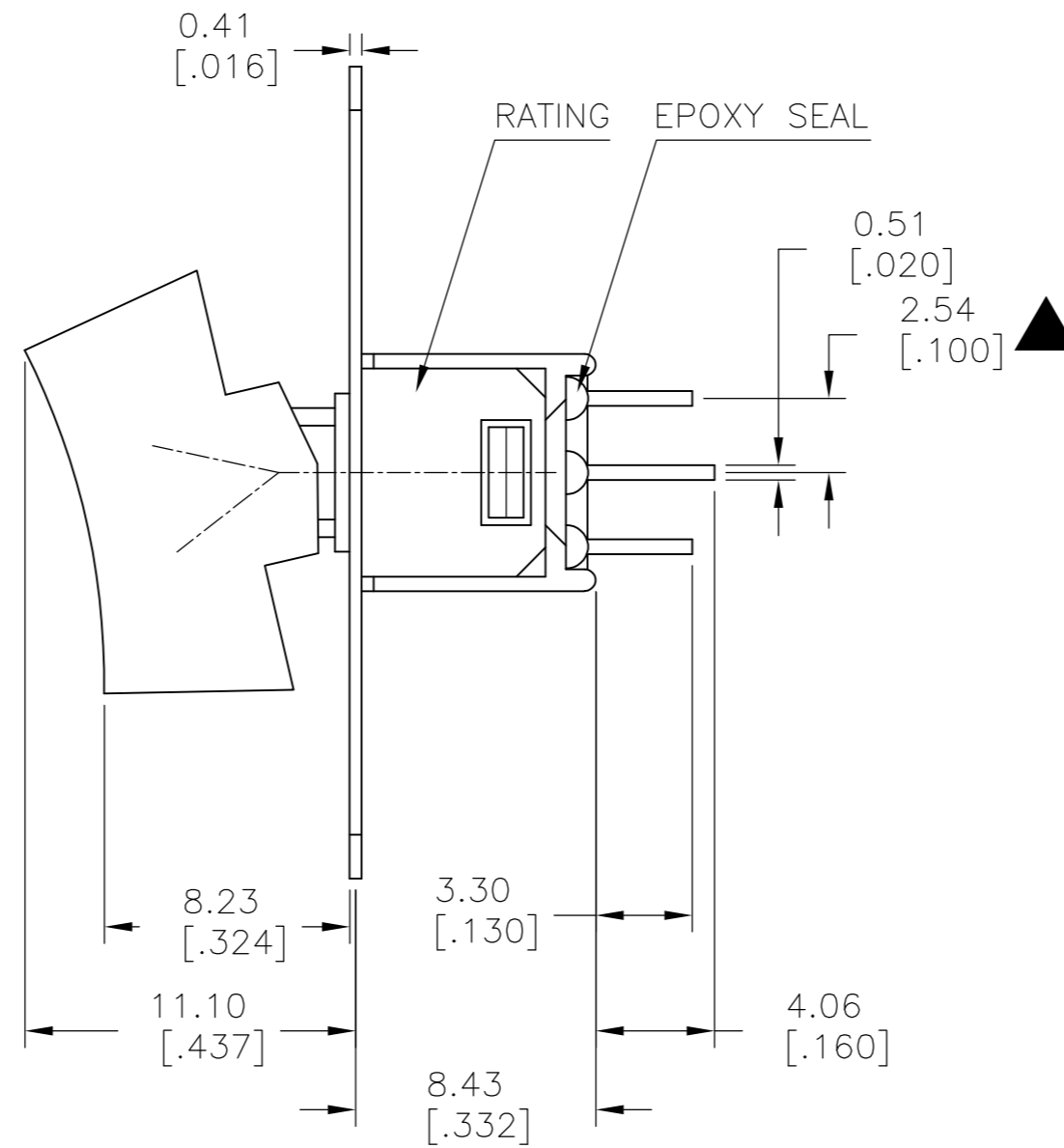
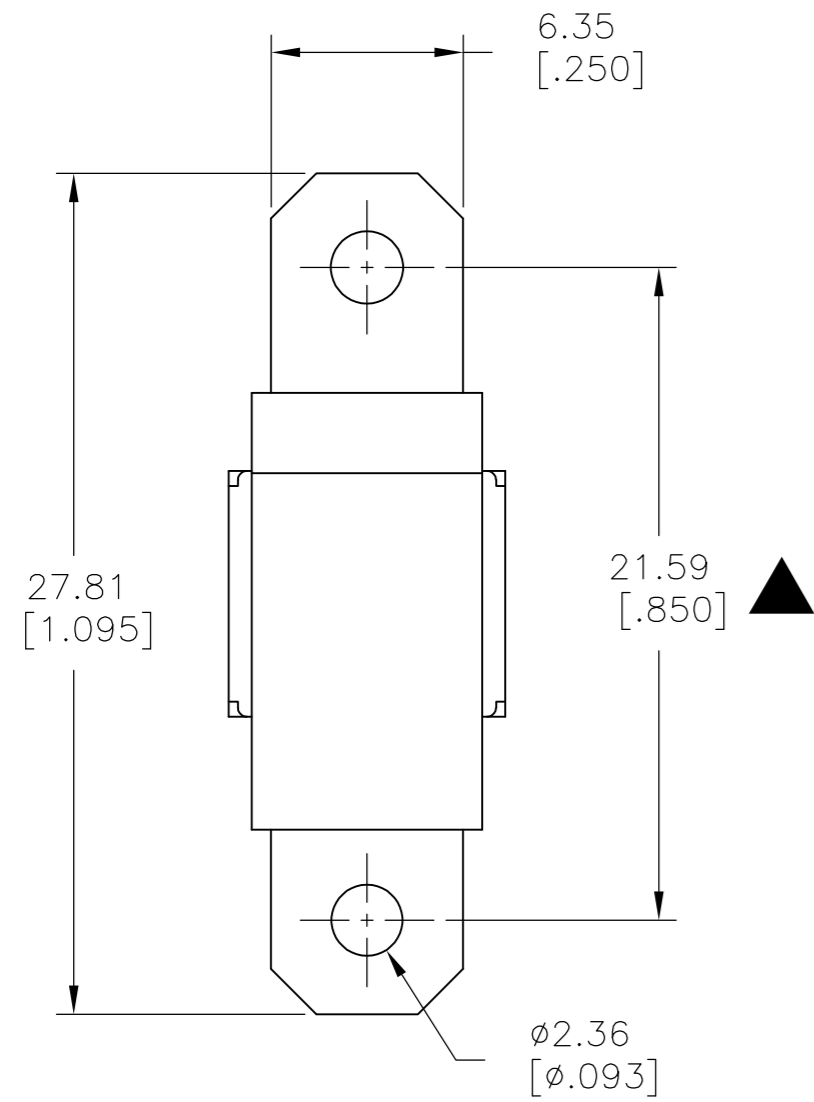


THIS DRAWING IS UNPUBLISHED. RELEASED FOR PUBLICATION  
 © COPYRIGHT - By - ALL RIGHTS RESERVED.

LOC		DIST		REVISIONS			
P	LTR	DESCRIPTION	DATE	DWN	APVD		
-	-	A	NEW DRAWING PER ECO-14-009318	11JUL2014	NK	RH	

SPECIFICATIONS

MECHANICAL LIFE: 30,000 MAKE-AND-BREAK CYCLES.  
 CONTACT RESISTANCE: 20 mΩ MAX. INITIAL @ 2-4VDC  
 100mA FOR SILVER PLATED CONTACTS.  
 CONTACT RATING: 3 Amps @120 VAC OR 28 VDC  
 1 Amp @ 250 VAC  
 INSULATION RESISTANCE: 1,000 MΩ MIN.  
 DIELECTRIC STRENGTH: 1,000 Vrms MIN.@SEA LEVEL.  
 OPERATING TEMPERATURE: -30°C TO 85°C.



SILVER	2-1,5-4	2-3,5-6	ON-ON	V-BRACKET	VERTICAL	2	2	RMD1R102VS2QES	2267087-8
SILVER	2-1	2-3	ON-ON	V-BRACKET	VERTICAL	1	2	RMS1R102VS2QES	2267087-7
SILVER	2-1,5-4	2-3,5-6	ON-ON	PC THROUGH HOLE	VERTICAL RIGHT ANGLE	2	2	RMD1R102M7QES	2267087-6
SILVER	2-1	2-3	ON-ON	PC THROUGH HOLE	VERTICAL RIGHT ANGLE	1	2	RMS1R102M7QES	2267087-5
SILVER	2-1,5-4	2-3,5-6	ON-ON	PC THROUGH HOLE	RIGHT ANGLE	2	2	RMD1R102M6QES	2267087-4
SILVER	2-1	2-3	ON-ON	PC THROUGH HOLE	RIGHT ANGLE	1	2	RMS1R202M6QES	2267087-3
SILVER	2-1,5-4	2-3,5-6	ON-ON	SOLDER LUG	VERTICAL	2	2	RMD1R102M1QES	2267087-2
SILVER	2-1	2-3	ON-ON	SOLDER LUG	VERTICAL	1	2	RMS1R102M1QES	2267087-1
CONTACT MATERIAL	POS 2	POS 1	FUNCTION	TERMINATION	MOUNT ANGLE	POLES	THROWS	DESCRIPTIVE PN	TE PN

THIS DRAWING IS A CONTROLLED DOCUMENT.

DWN	11JUL2014	NAGALAKSHMI K
CHK	11JUL2014	HILL, RYAN
APVD	11JUL2014	HILL, RYAN
PRODUCT SPEC		
APPLICATION SPEC		
WEIGHT	-	
CUSTOMER DRAWING		

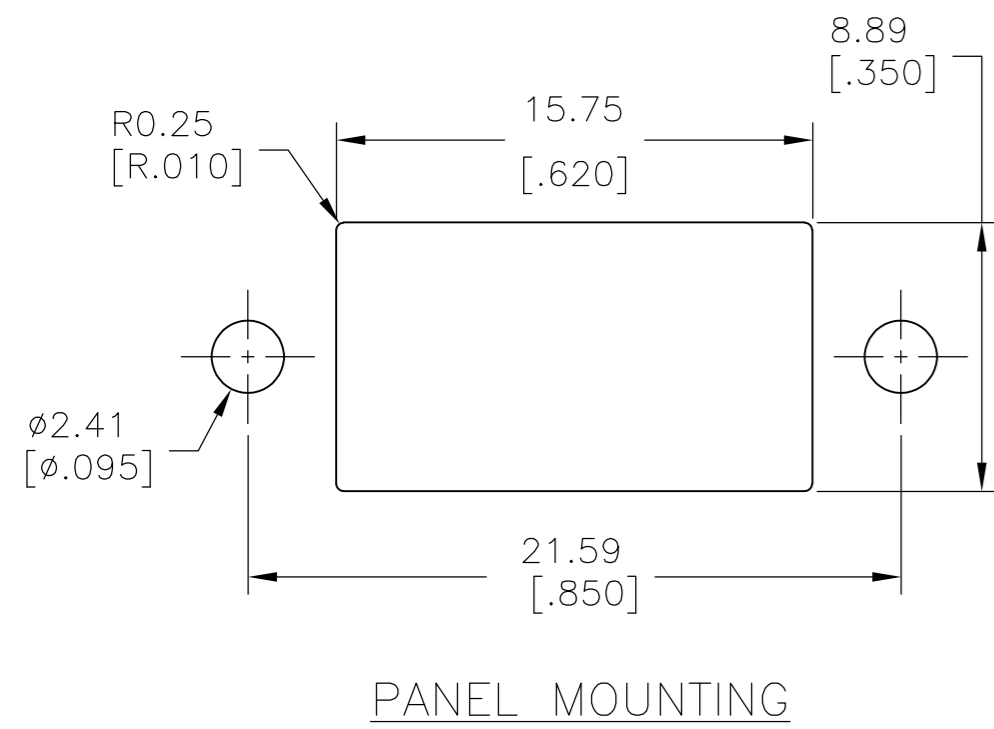
TE Connectivity  
 SUBMINIATURE ROCKER SWITCHES

SIZE	A2	CAGE CODE	00779	DRAWING NO	C=2267087	RESTRICTED TO	-
SCALE	3:1	SHEET	1 of 5	REV	A		

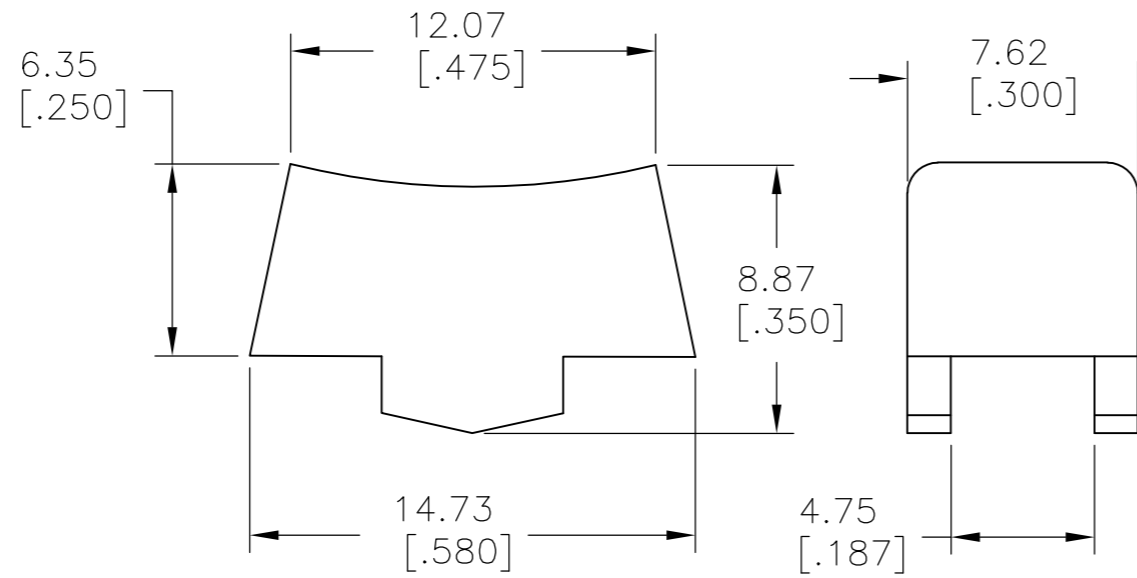
THIS DRAWING IS UNPUBLISHED. RELEASED FOR PUBLICATION  
 © COPYRIGHT - By - ALL RIGHTS RESERVED.

LOC		DIST		REVISIONS			
P	LTR	DESCRIPTION	DATE	DWN	APVD		
-	-	SEE SHEET 1	-	-	-		

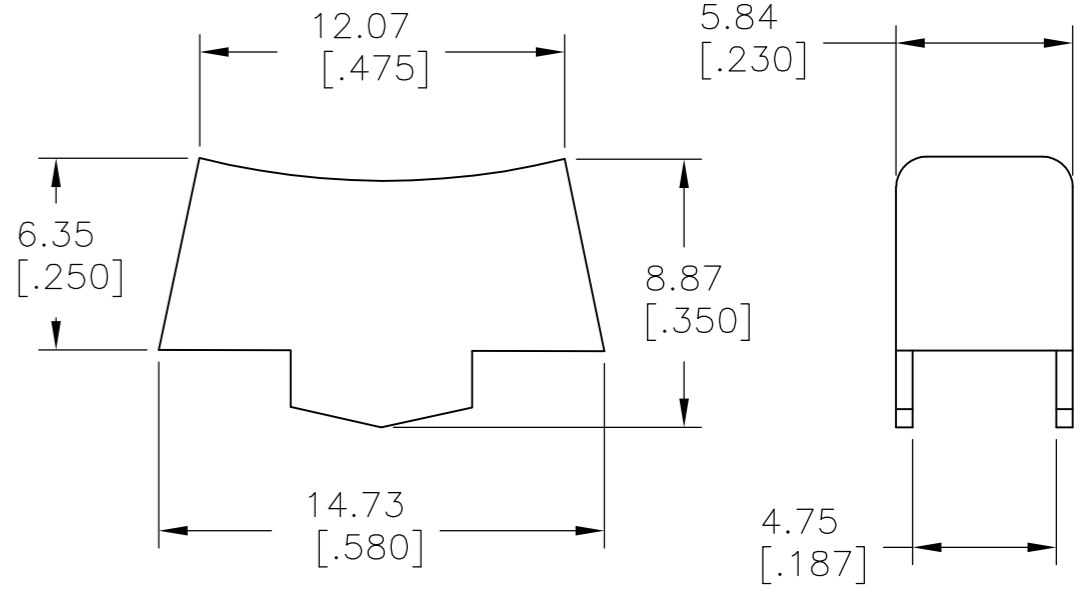
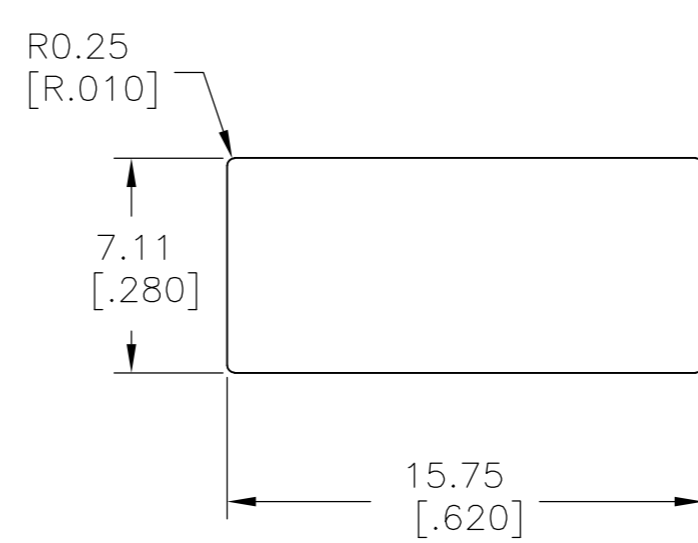
# ACTUATOR OPTIONS



PANEL MOUNTING



R1  
WIDE ACTUATOR

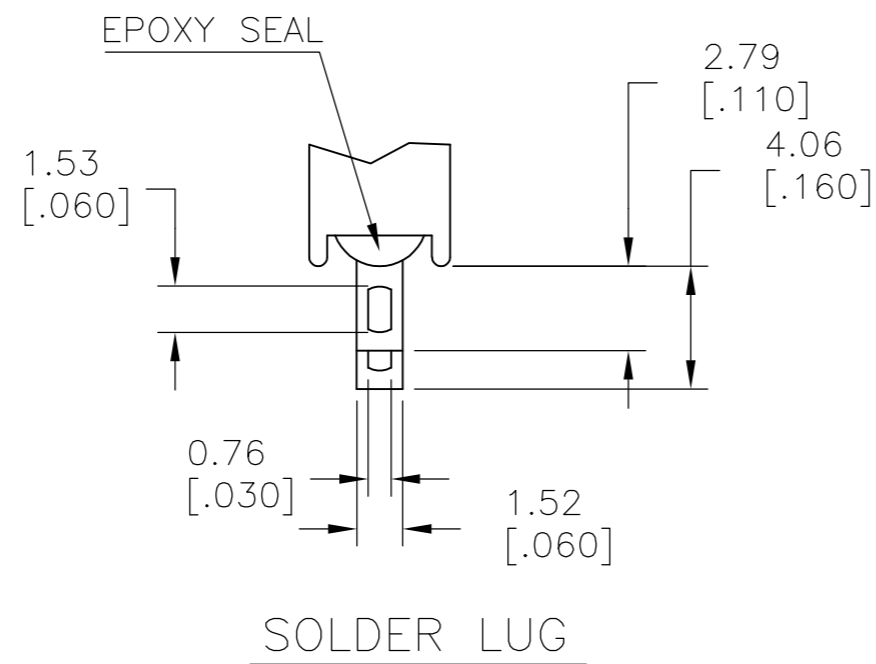


PANEL MOUNTING

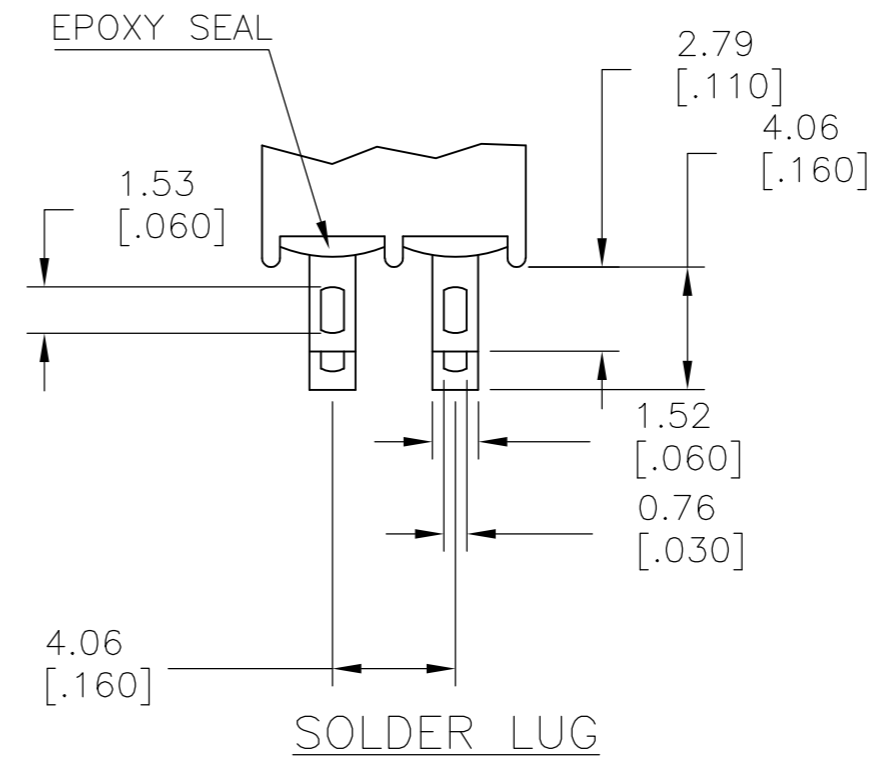
R2  
NARROW ACTUATOR

# TERMINATION OPTIONS

SPDT M1  
SOLDER LUG



SOLDER LUG



SOLDER LUG

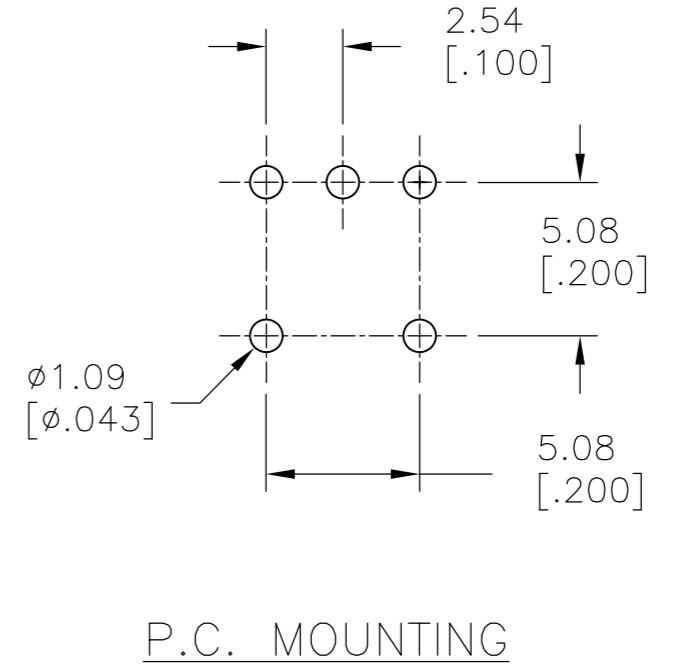
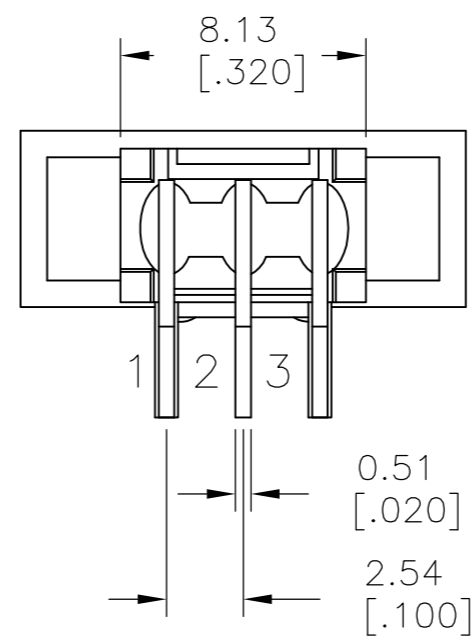
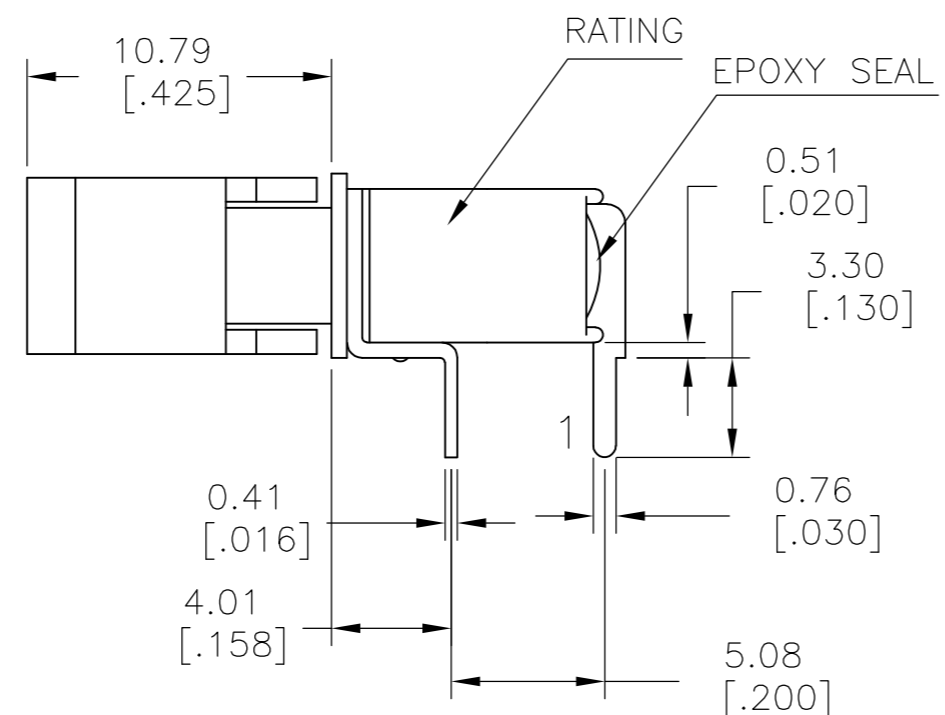
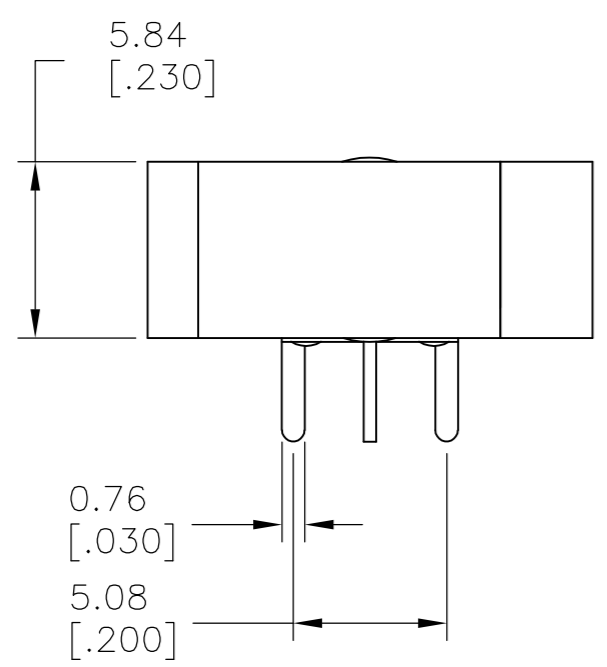
DPDT M1  
SOLDER LUG

LAYOUT FOR PN 2267087-1 & 2

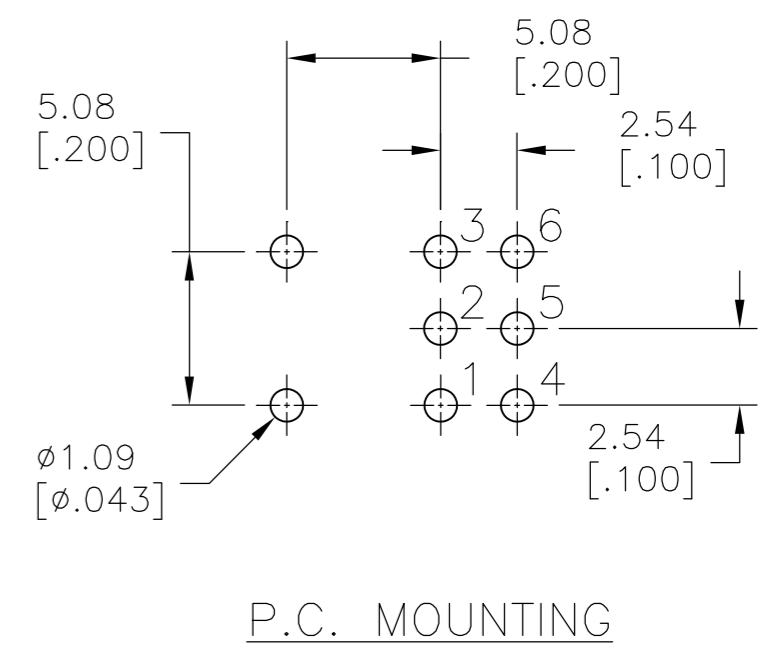
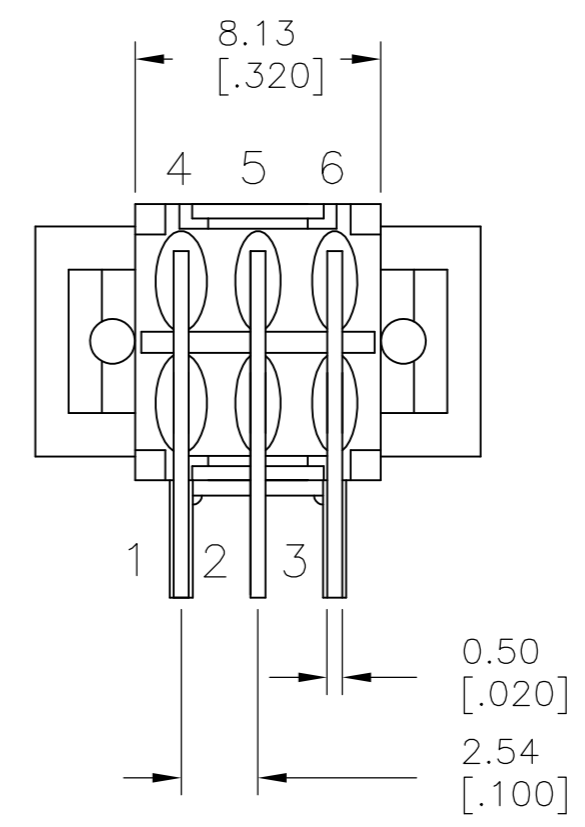
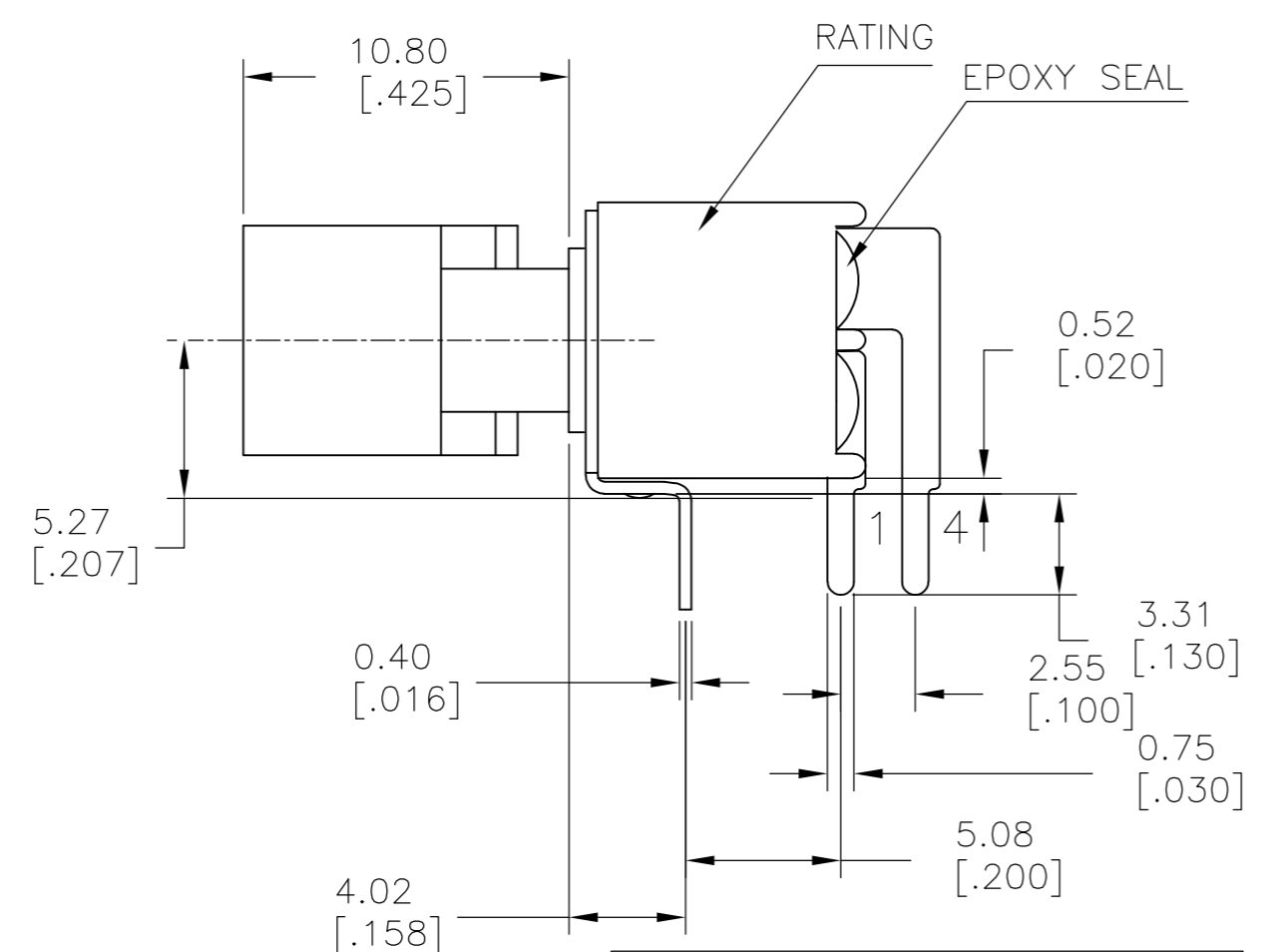
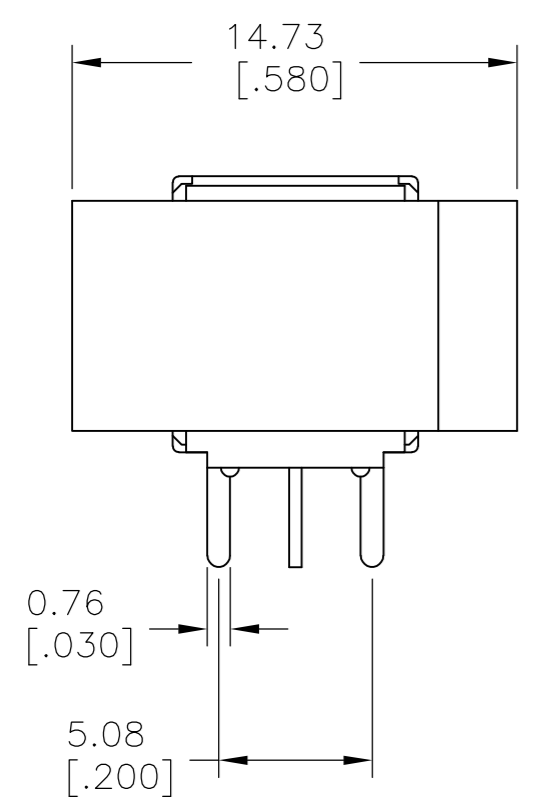
THIS DRAWING IS A CONTROLLED DOCUMENT.		DWN NAGALAKSHMI K 11JUL2014	TE Connectivity	
DIMENSIONS: mm [INCHES]		CHK HILL, RYAN 11JUL2014		
TOLERANCES UNLESS OTHERWISE SPECIFIED:		APVD HILL, RYAN 11JUL2014	NAME	
0 PLC ± -	1 PLC ± 0.38[.015]	PRODUCT SPEC	SUBMINIATURE ROCKER SWITCHES	
2 PLC ± 0.25[.010]	3 PLC ± -	APPLICATION SPEC	SIZE	CAGE CODE
4 PLC ± -	ANGLES ± 5°	WEIGHT	A2	00779
MATERIAL	FINISH	CUSTOMER DRAWING	DRAWING NO	RESTRICTED TO
-	-	SCALE	C=2267087	-
			3:1	SHEET 2 OF 5
			REV	A

THIS DRAWING IS UNPUBLISHED. RELEASED FOR PUBLICATION  
 © COPYRIGHT - By - ALL RIGHTS RESERVED.

LOC		DIST		REVISIONS			
P	LTR	DESCRIPTION	DATE	DWN	APVD		
-	-	SEE SHEET 1	-	-	-		



SPDT M6  
 RIGHT ANGLE



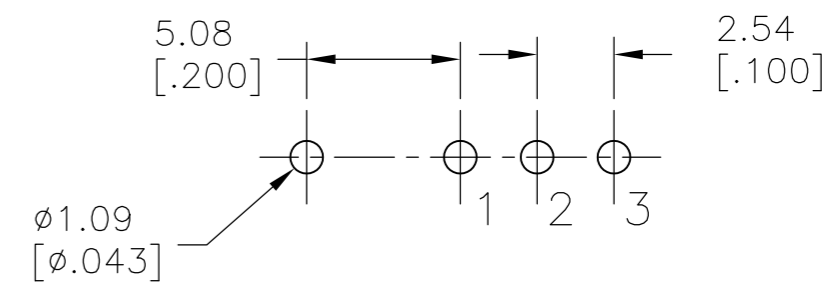
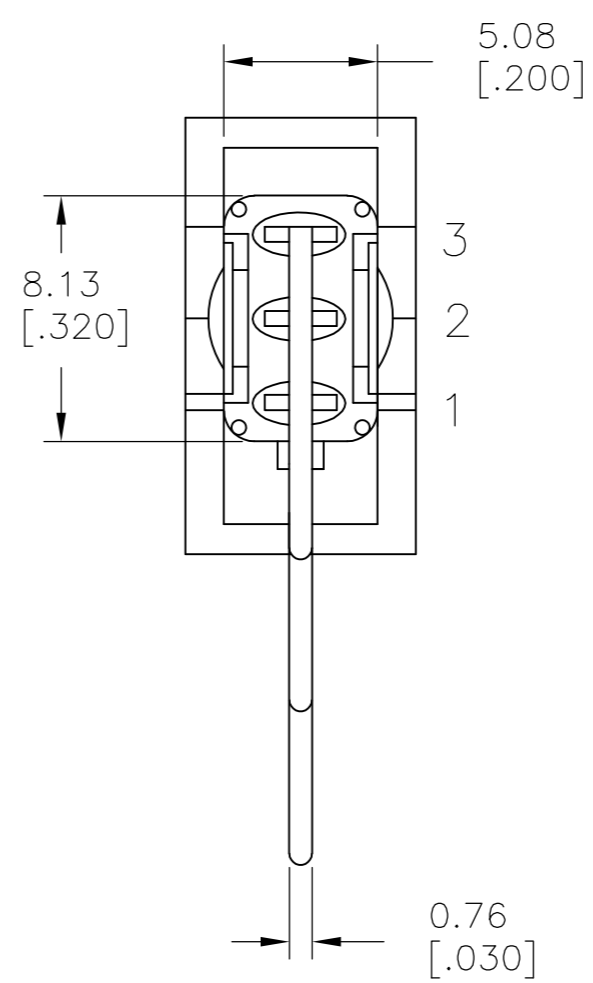
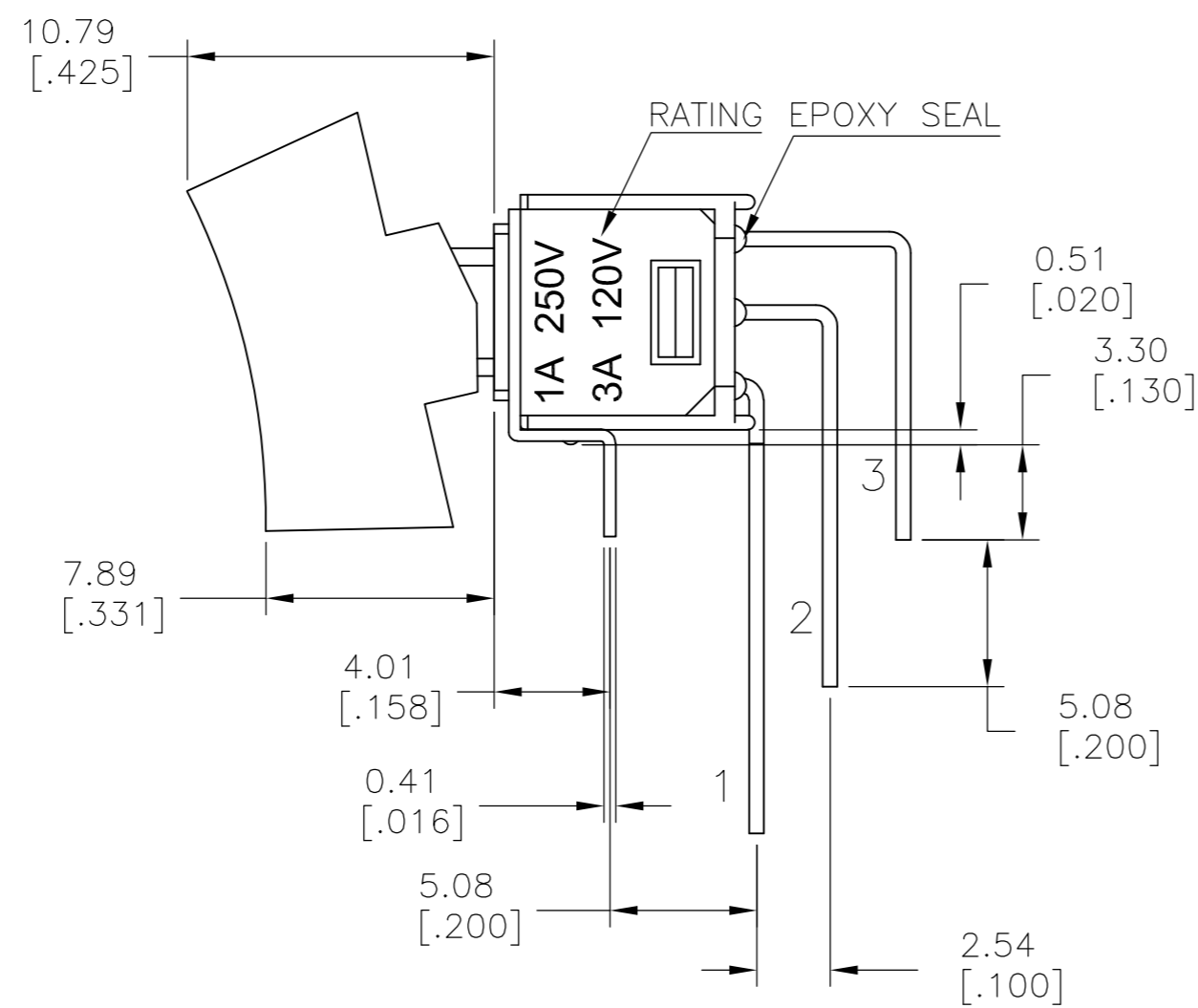
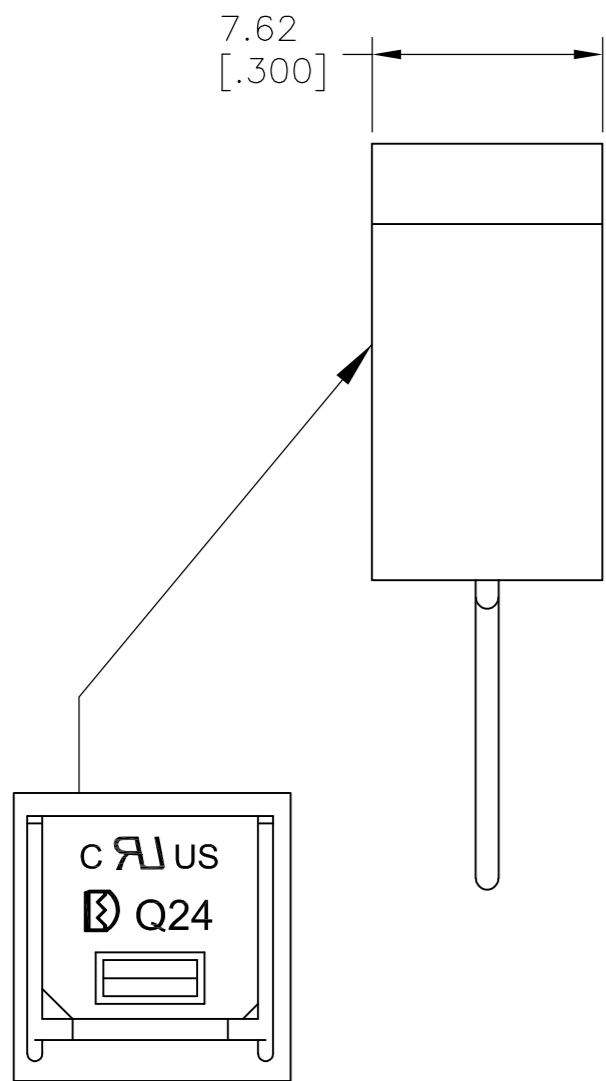
DPDT M6  
 RIGHT ANGLE

LAYOUT FOR PN 2267087-3 & 4

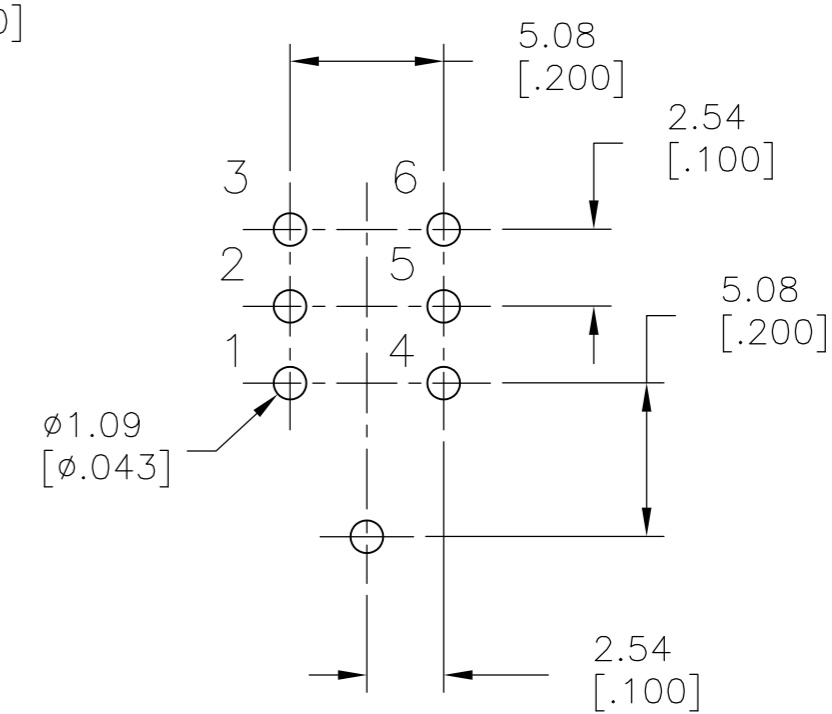
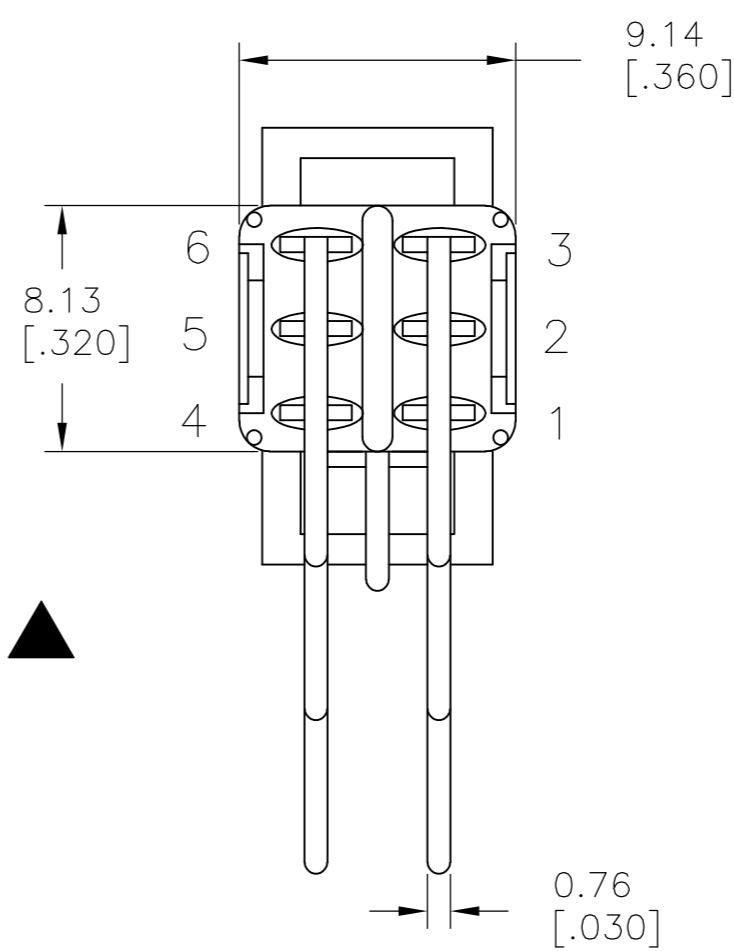
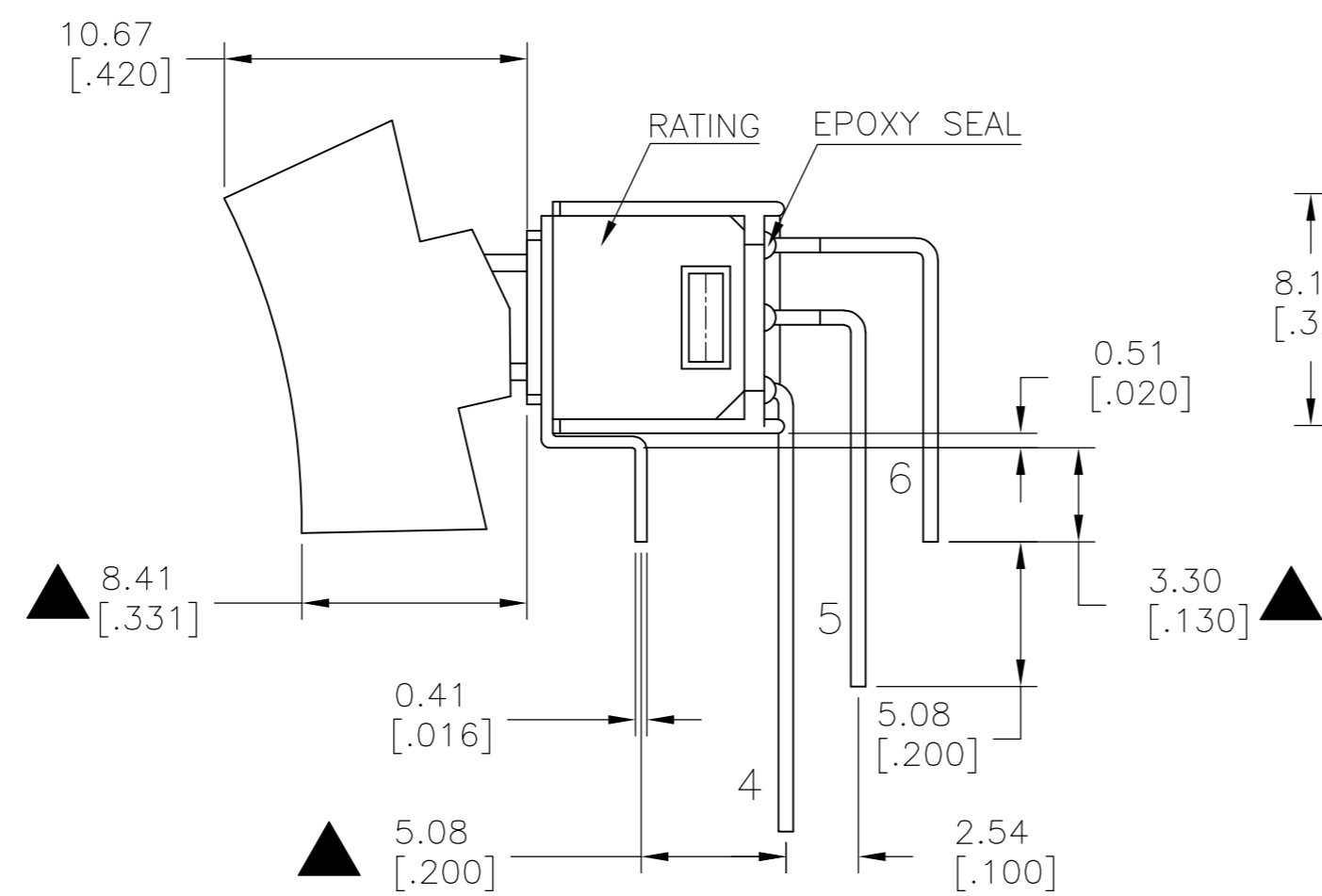
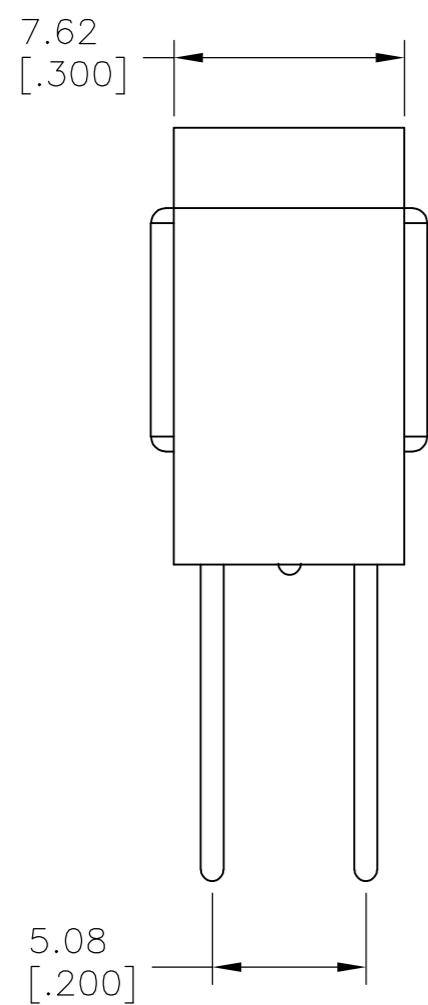
THIS DRAWING IS A CONTROLLED DOCUMENT.		DWN NAGALAKSHMI K 11JUL2014	TE Connectivity	
DIMENSIONS: mm [INCHES]		CHK HILL, RYAN 11JUL2014		
TOLERANCES UNLESS OTHERWISE SPECIFIED:		APVD HILL, RYAN 11JUL2014	NAME	
0 PLC ± - 1 PLC ± 0.38[.015] 2 PLC ± 0.25[.010] 3 PLC ± - 4 PLC ± - ANGLES ± 5°		PRODUCT SPEC	SUBMINIATURE ROCKER SWITCHES	
MATERIAL		APPLICATION SPEC	SIZE A2	CAGE CODE 00779
FINISH		WEIGHT	DRAWING NO C-2267087	RESTRICTED TO
		CUSTOMER DRAWING	SCALE 3:1	SHEET 3 of 5
			REV A	

THIS DRAWING IS UNPUBLISHED. RELEASED FOR PUBLICATION  
 © COPYRIGHT - By - ALL RIGHTS RESERVED.

LOC		DIST		REVISIONS			
P	LTR	DESCRIPTION	DATE	DWN	APVD		
-	-	SEE SHEET 1	-	-	-		



P.C. MOUNTING  
 SPDT M7  
 VERTICAL  
 RIGHT ANGLE



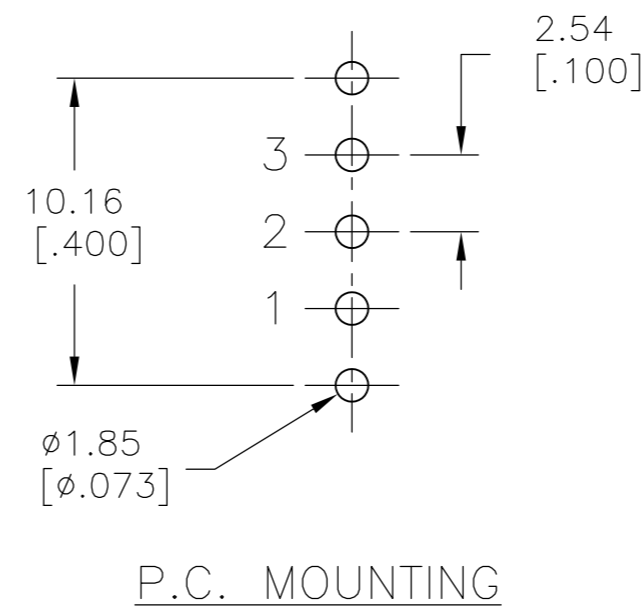
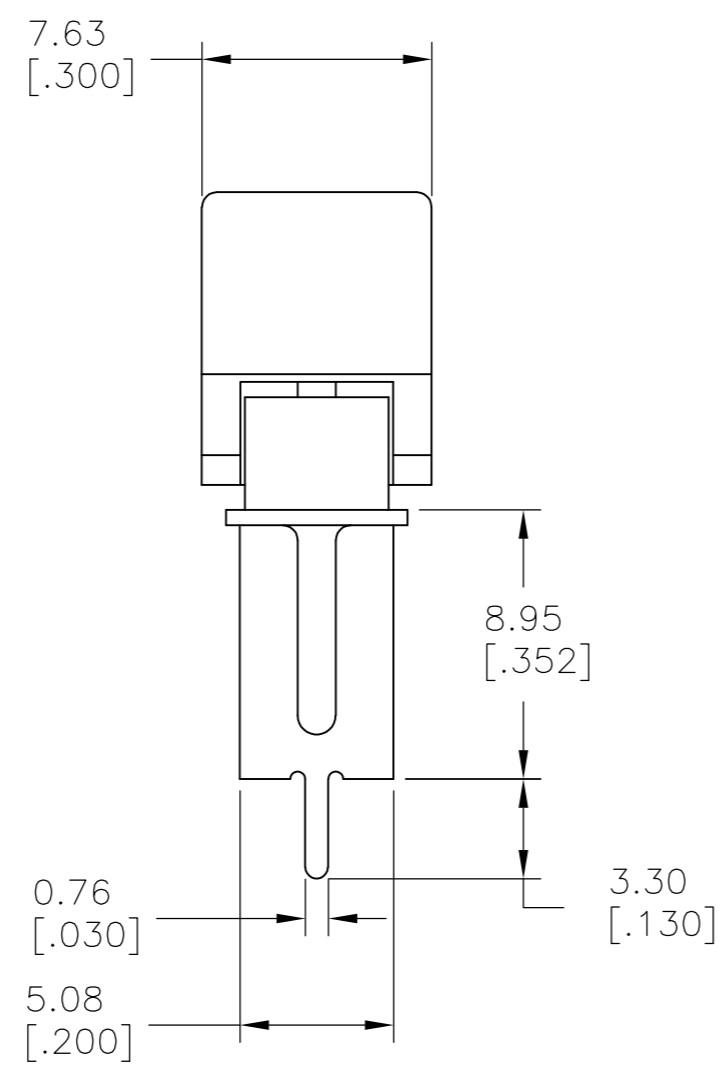
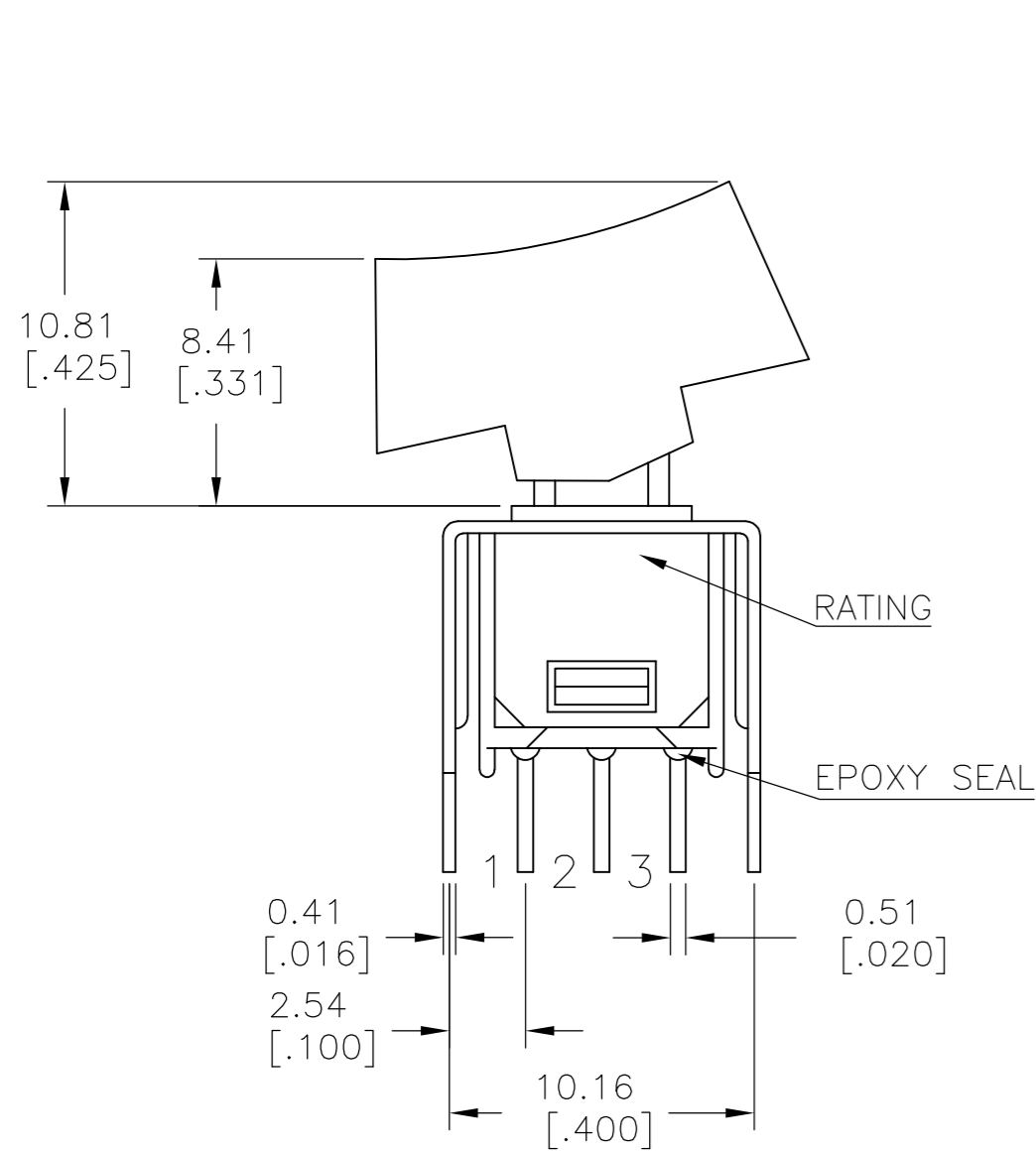
DPDT M7  
 VERTICAL  
 RIGHT ANGLE

LAYOUT FOR PN 2267087-5 & 6

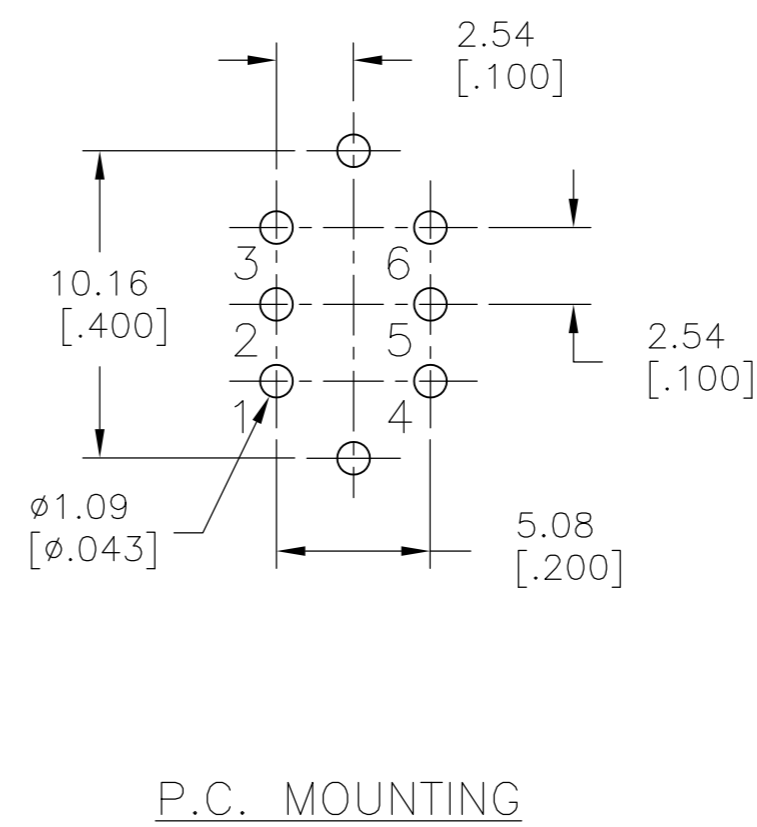
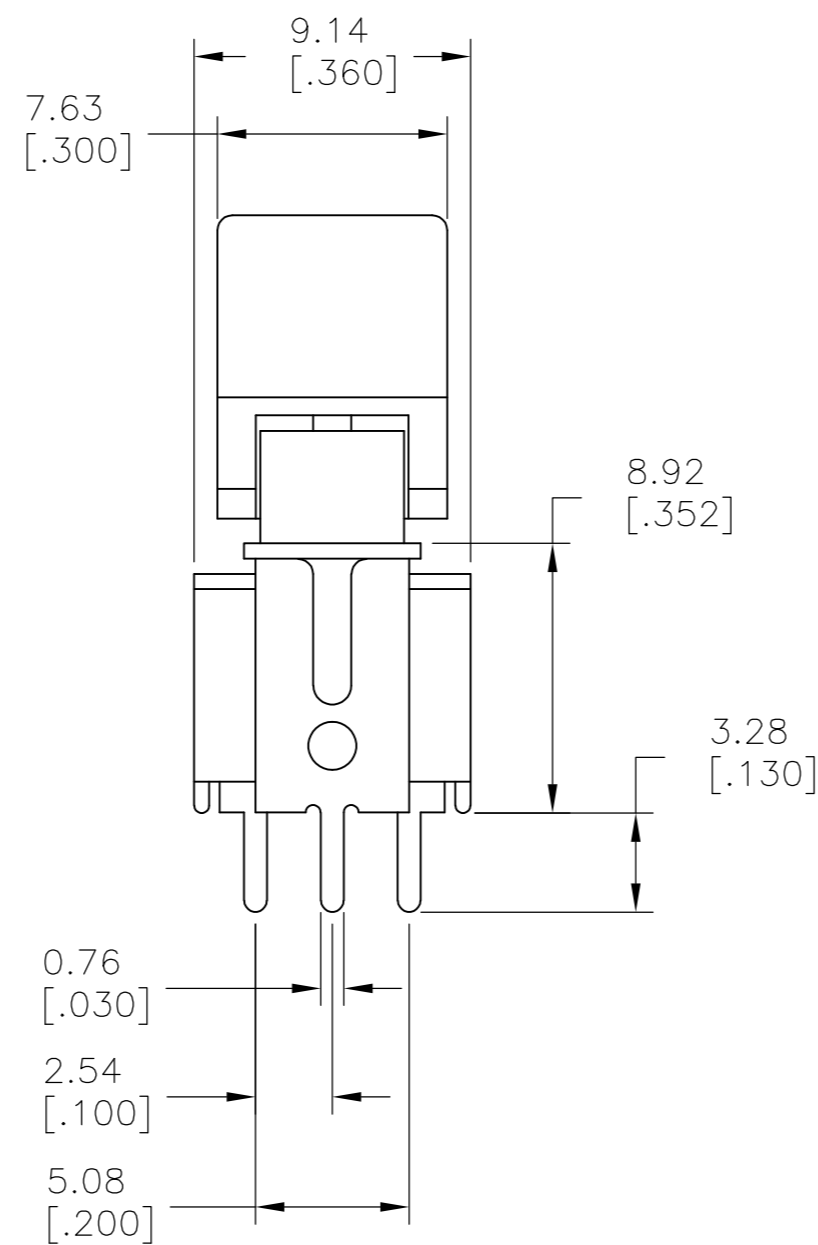
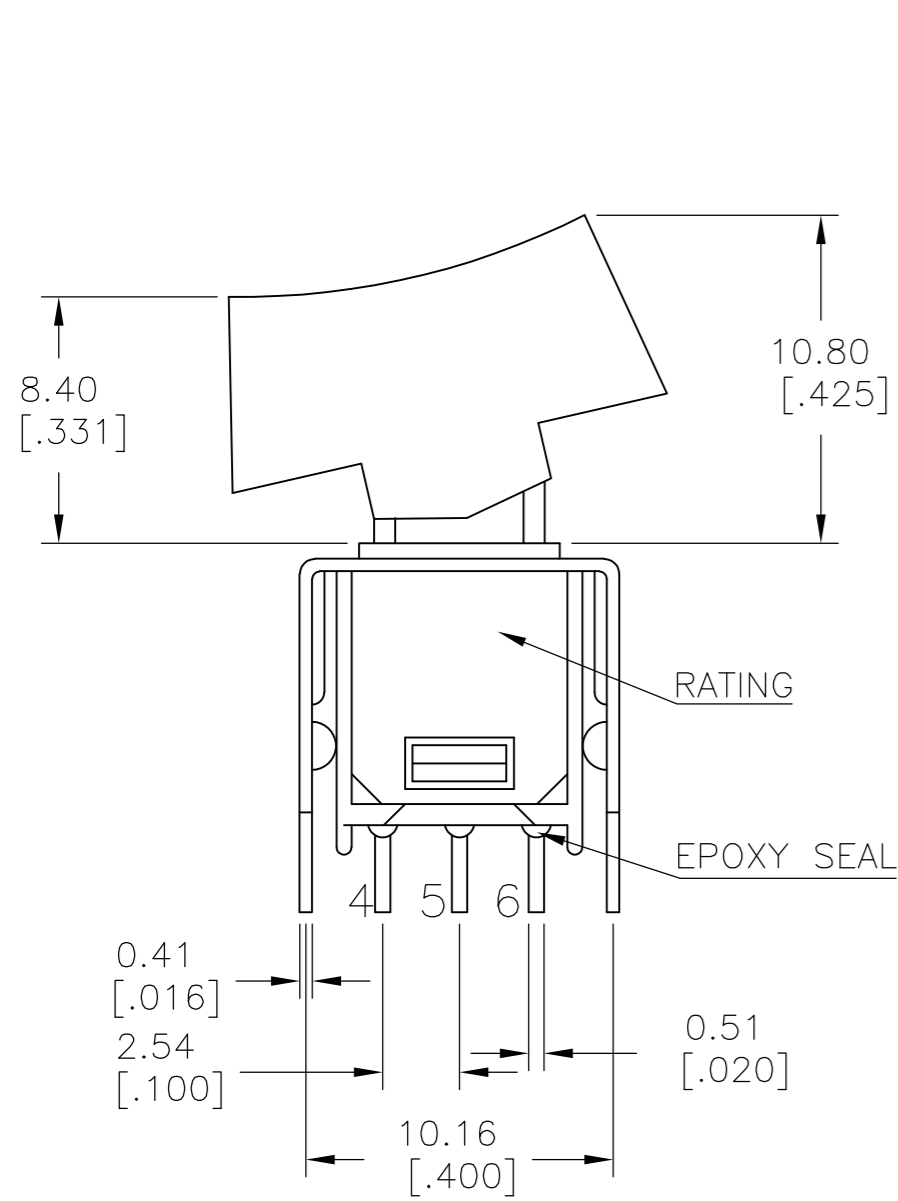
THIS DRAWING IS A CONTROLLED DOCUMENT.		DWN NAGALAKSHMI K 11JUL2014	<b>STE</b> TE Connectivity	
DIMENSIONS: mm [INCHES]		CHK HILL, RYAN 11JUL2014		
TOLERANCES UNLESS OTHERWISE SPECIFIED:		APVD HILL, RYAN 11JUL2014	NAME	
0 PLC ± -	1 PLC ± 0.38[015]	PRODUCT SPEC	SUBMINIATURE ROCKER SWITCHES	
2 PLC ± 0.25[010]	3 PLC ± -	APPLICATION SPEC	SIZE	CAGE CODE
4 PLC ± -	ANGLES ± 5°	FINISH	A2	00779
MATERIAL	FINISH	WEIGHT	SCALE	SHEET
-	-	-	3:1	4 of 5
CUSTOMER DRAWING			RESTRICTED TO	REV
			-	A

THIS DRAWING IS UNPUBLISHED. RELEASED FOR PUBLICATION  
 © COPYRIGHT - By - ALL RIGHTS RESERVED.

LOC		DIST		REVISIONS			
P	LTR	DESCRIPTION	DATE	DWN	APVD		
-	-	SEE SHEET 1	-	-	-		



SPDT VS2  
 VERTICAL V-BRACKET



DPDT VS2  
 VERTICAL V-BRACKET

LAYOUT FOR PN 2267087-7 & 8

THIS DRAWING IS A CONTROLLED DOCUMENT.		DWN 11JUL2014 NAGALAKSHMI K	<b>STE</b> TE Connectivity	
DIMENSIONS: mm [INCHES]		CHK 11JUL2014 HILL, RYAN		
TOLERANCES UNLESS OTHERWISE SPECIFIED:		APVD 11JUL2014 HILL, RYAN	NAME	
0 PLC ± -		PRODUCT SPEC	SUBMINIATURE ROCKER SWITCHES	
1 PLC ± 0.38[.015]		APPLICATION SPEC	SIZE	CAGE CODE
2 PLC ± 0.25[.010]		WEIGHT	A2	00779
3 PLC ± -		CUSTOMER DRAWING	SCALE	DRAWING NO
4 PLC ± -		SCALE 3:1	3:1	C=2267087
ANGLES ± 5°		SHEET	5	OF 5
FINISH		REV	A	

## X-ON Electronics

Largest Supplier of Electrical and Electronic Components

*Click to view similar products for [Rocker Switches](#) category:*

*Click to view products by [TE Connectivity](#) manufacturer:*

Other Similar products are found below :

[LTILA6E-1S-WH-RC-FN12VXCR1](#) [6-1571986-9](#) [8007K26N324V52](#) [8055K23Z7V](#) [8055K32Z7V](#) [8055K52Z7V](#) [8138K20E6M50](#) [84206L](#)  
[84312LX](#) [PREDD5-07F-BB0GW](#) [999-16716-002](#) [999-16716-003](#) [999-16716-004](#) [A101J1V3Q004](#) [A101J2ZQ004](#) [A101J4ZQ004](#)  
[A101J51CB0004](#) [A103J1ZQ004](#) [A201J1AQ004](#) [A201J3ZB004](#) [A201J50ZQ004](#) [A203J51ZQ0004](#) [A435S1YZQ](#) [H8500XBBBBL-A](#)  
[H8653VBBG2577W](#) [HB130CHNWWNAAC](#) [R13112ABB-602W](#) [1251.0303](#) [AE205J60V3B004](#) [1352.0107](#) [1500G51E](#) [1571099-3](#)  
[1571987-4](#) [1571987-5](#) [1571989-7](#) [1571988-5](#) [B123J77V7B2](#) [B226J50W4Q22P](#) [B433J37ZQ22M](#) [160212E](#) [1634200-7](#) [1801.1164](#) [1839.1502](#)  
[PANEL-PLUG-VHP-BLACK](#) [PANEL-PLUG-VHP-WT](#) [K1ABBSCADN](#) [K2ABAAAAAA](#) [KG312A2DXD246X](#) [250011E714](#) [2600HM11E](#)