



Passive Components > Resistors > Fixed Resistors > Through-Hole Resistors



Resistor Type: **Power Resistor**

Dimensions: **16 x 5.5 mm**

Number of Terminations: **2**

Packaging Method: **Ammo Packed**

Tolerance: **5%**

Features

Product Type Features

Product Type	Fixed Resistor
Element Material	Metal Oxide
Resistor Type	Power Resistor

Configuration Features

Number of Resistors	1
---------------------	---

Electrical Characteristics

Voltage Rating	350 V
Tolerance	5%
Resistance Class	Up to 1kΩ
Resistance	.1 Ω
Power Rating	3 W

Body Features

Lead Type	Axial Ledged
-----------	--------------

Termination Features

Number of Terminations	2
Termination Type	Tinned Copper Leads

Mechanical Attachment

Mount Style	Axial Ledged
-------------	--------------

Dimensions

Dimensions	16 x 5.5 mm
------------	-------------

Usage Conditions

Operating Temperature Range	-55 – 235 °C
Temperature Coefficient	±350 ppm/°C

Packaging Features

Packaging Method	Ammo Packed
------------------	-------------

Product Compliance

[For compliance documentation, visit the product page on TE.com>](#)

EU RoHS Directive 2011/65/EU	Compliant
EU ELV Directive 2000/53/EC	Compliant
China RoHS 2 Directive MIIT Order No 32, 2016	No Restricted Materials Above Threshold
EU REACH Regulation (EC) No. 1907/2006	Current ECHA Candidate List: JAN 2019 (197) Candidate List Declared Against: JAN 2019 (197)
Halogen Content	Low Halogen - Br, Cl, F, I < 900 ppm per homogenous material. Also BFR/CFR/PVC Free
Solder Process Capability	Wave solder capable to 265°C

Product Compliance Disclaimer

This information is provided based on reasonable inquiry of our suppliers and represents our current actual knowledge based on the information they provided. This information is subject to change. The part numbers that TE has identified as EU RoHS compliant have a maximum concentration of 0.1% by weight in homogenous materials for lead, hexavalent chromium, mercury, PBB, PBDE, DBP, BBP, DEHP, DIBP, and 0.01% for cadmium, or qualify for an exemption to these limits as defined in the Annexes of Directive 2011/65/EU (RoHS2). Finished electrical and electronic equipment products will be CE marked as required by Directive 2011/65/EU. Components may not be CE marked. Additionally, the part numbers that TE has identified as EU ELV compliant have a maximum concentration of 0.1% by weight in homogenous materials for lead, hexavalent chromium, and mercury, and 0.01% for cadmium, or qualify for an exemption to these limits as defined in the Annexes of Directive 2000/53/EC (ELV). Regarding the REACH Regulations, TE's information on SVHC in articles for this part number is still based on the European Chemical Agency (ECHA) 'Guidance on requirements for substances in articles' (Version: 2, April 2011), applying the 0.1% weight on weight concentration threshold at the finished product level. TE is aware of the European Court of Justice ruling of September 10th, 2015 also known as O5A (Once An Article Always An Article) stating that, in case of 'complex object', the threshold for a SVHC must be applied to both the product as a whole and simultaneously to each of the articles forming part of its composition. TE has evaluated this ruling based on the new ECHA "Guidance on requirements for substances in articles" (June 2017, version 4.0) and will be updating its statements accordingly.

Compatible Parts



TE Part # 1625881-2
1W STD M/OX 2% 220R



TE Part # 2-1625892-1
3W SM M/OX 5% 1K0



TE Part # 6-1676123-7
1/2W SM M/OX 5% 470R



TE Part # 1625893-5
5W SM M/OX 5% 47K



TE Part # 4-1625886-1
1W SM M/OX 5% 820K

Also in the Series | **Neohm ROX**

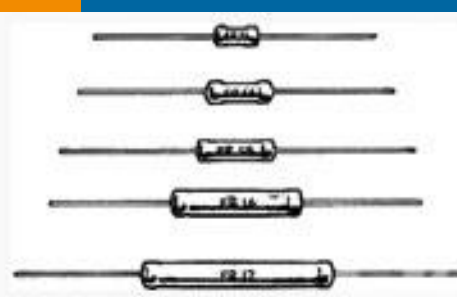


Through-Hole Resistors
(786)


Customers Also Bought



TE Part #1-2176052-8
RLP73N 1J R27 5% 5K RL



TE Part #1623749-3
ER17 15R 5% LOOSE



TE Part #316915-1
Z-STACK CONN 240P F16
ASSY



TE Part #3-1879351-6
RR01 5% 82K AMMO



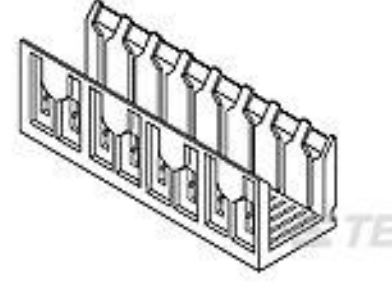
TE Part #1546097-3
5.08 HORIZ HDR
CLOSEDEND 3 POS



TE Part #917897-1
2.5 S.D.L STD V 5P HDR
ON/TAPE



TE Part #2106751-3
Connector, Thru Hole-IDC,
3 pos, 18AWG



TE Part #536565-3
2MMFB,SHRD,096,SIG,
HDR



Documents

CAD Files

[3D PDF](#)

3D

Customer View Model

[ENG_CVM_CVM_1625892-1_BA.2d_dxf.zip](#)

English

Customer View Model

[ENG_CVM_CVM_1625892-1_BA.3d_igs.zip](#)

English

Customer View Model

[ENG_CVM_CVM_1625892-1_BA.3d_stp.zip](#)

English

Datasheets & Catalog Pages

[4-1773460-6_RESISTIVE_SOLUTIONS_RAIL](#)

English

[1309350_PASSIVE_COMPONENT](#)

English

[8-1773459-4_POWER_FILTERING_AND_RESISTIVE_SOLUTIONS_FOR_ELEVATORS_AND_ESCALATORS](#)

English

[Flame Proof Power Metal Oxide Film Resistors - Type ROX Series - Tyco Electronics Passives](#)

English

X-ON Electronics

Largest Supplier of Electrical and Electronic Components

Click to view similar products for [Metal Oxide Resistors](#) category:

Click to view products by [TE Connectivity](#) manufacturer:

Other Similar products are found below :

[009260C](#) [FA87/180R/5%](#) [SBL4R010J](#) [281-1.0K](#) [R0229](#) [M012CT52R220J](#) [WK80922003900J5C00](#) [434529B](#) [WMO5S-100KJA05](#) [054084X](#)
[054211G](#) [054220E](#) [095734G](#) [WK202070A1003JD500](#) [WR404140A2208JFE00](#) [MOSX1CT528R2R20F](#) [RSF5SSJT-73-170R](#) [RSF-25JT-52-](#)
[330RW](#) [RSF200JT-73-0R52](#) [ROX2SJ4K3](#) [ROX5SJ120R](#) [ROX3SJR10](#) [ROX2SJ200K](#) [RSF200JT-73-0R27](#) [RSF1WSJT-52-140R](#) [RSF50SJT-](#)
[52-0R1](#) [RSF50SJT-52-0R39](#) [RSF100JT-73-8R2](#) [RSF50SJT-52-200K](#) [RSF-50JT-52-2M](#) [RSF50SJT-52-820K](#) [RSF-50JT-52-2R2](#)
[ROX05SJ110R](#) [ROX05SJ130R](#) [ROX05SJ200R](#) [ROX05SJ240R](#) [ROX05SJ270R](#) [ROX05SJ360R](#) [ROX05SJ390R](#) [ROX05SJ430R](#)
[ROX05SJ470R](#) [ROX05SJ510R](#) [ROX05SJ560R](#) [ROX05SJ620R](#) [ROX05SJ820R](#) [ROX05SJ1K1](#) [ROX05SJ1K2](#) [ROX05SJ1K3](#) [ROX05SJ1K6](#)
[ROX05SJ2K4](#)