



TE Internal #: 0561490001
 Printable Tubing, Ladder Printable Tubing Type, Commercial
 Printable Tubing Grade, 3:1 Printable Tubing Shrink Ratio, White,
 Markers per Sleeve 1

[View on TE.com >](#)

Identification & Labeling > Printable Tubing



Printable Tubing Type: **Ladder**
 Printable Tubing Grade: **Commercial**
 Printable Tubing Shrink Ratio: **3:1**
 Primary Product Color: **White**
 Markers per Sleeve: **1**

Features

Product Type Features

Printable Tubing Type	Ladder
Printable Tubing Grade	Commercial

Body Features

Printable Tubing Shrink Ratio	3:1
Primary Product Color	White
Markers per Sleeve	1

Dimensions

Product Length	50 mm[2 in]
Supplied Inner Diameter	4.8 mm[.189 in]
Recovered Inside Diameter	1.57 mm[.062 in]
Compatible Cable Diameter Range	1.75 – 4.06 mm[.069 – .16 in]

Usage Conditions

Operating Temperature Range	-30 – 105 °C[-22 – 221 °F]
-----------------------------	----------------------------

Operation/Application

Recommended Ribbon	See TE Document 411-121005 the Printer Product Ribbon Matrix
--------------------	--------------------------------------------------------------

Printer/Label Features

Recommended Printer	See TE Document 411-121005 the Printer Product Ribbon Matrix
---------------------	--------------------------------------------------------------



Printer Technology

Thermal Transfer

Packaging Features

Packaging Quantity

250

Product Compliance

[For compliance documentation, visit the product page on TE.com>](#)

EU RoHS Directive 2011/65/EU

Compliant

EU ELV Directive 2000/53/EC

Compliant

China RoHS 2 Directive MIIT Order No 32, 2016

No Restricted Materials Above Threshold

EU REACH Regulation (EC) No. 1907/2006

Current ECHA Candidate List: JUL 2021 (219)
 Candidate List Declared Against: JUL 2021 (219)
 Does not contain REACH SVHC

Halogen Content

Not Low Halogen - contains Br or Cl > 900 ppm.

Solder Process Capability

Not applicable for solder process capability

Product Compliance Disclaimer

This information is provided based on reasonable inquiry of our suppliers and represents our current actual knowledge based on the information they provided. This information is subject to change. The part numbers that TE has identified as EU RoHS compliant have a maximum concentration of 0.1% by weight in homogenous materials for lead, hexavalent chromium, mercury, PBB, PBDE, DBP, BBP, DEHP, DIBP, and 0.01% for cadmium, or qualify for an exemption to these limits as defined in the Annexes of Directive 2011/65/EU (RoHS2). Finished electrical and electronic equipment products will be CE marked as required by Directive 2011/65/EU. Components may not be CE marked. Additionally, the part numbers that TE has identified as EU ELV compliant have a maximum concentration of 0.1% by weight in homogenous materials for lead, hexavalent chromium, and mercury, and 0.01% for cadmium, or qualify for an exemption to these limits as defined in the Annexes of Directive 2000/53/EC (ELV). Regarding the REACH Regulation, the information TE provides on SVHC in articles for this part number is based on the latest European Chemicals Agency (ECHA) 'Guidance on requirements for substances in articles' posted at this URL: <https://echa.europa.eu/guidance-documents/guidance-on-reach>

Compatible Parts



TE Part # 1-2186500-1
T3212-PRINTER



TE Part # 1-2186502-1
T3224-PRINTER



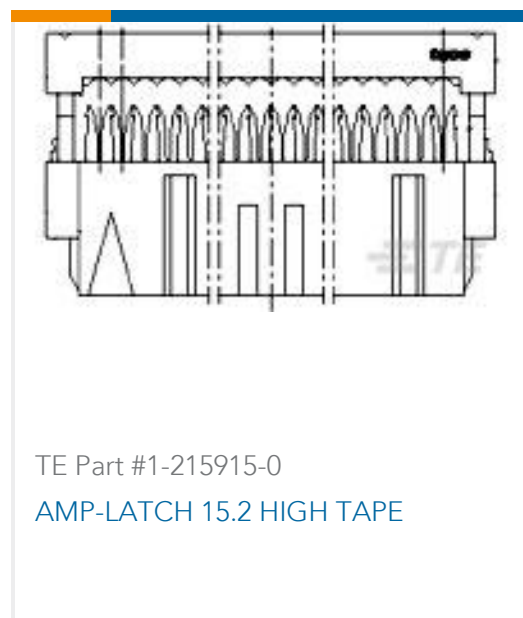
TE Part # 1-2186503-1
T3224-SWARE-PRINTER



TE Part # CP8122-000
T6112DS-PRINTER



Customers Also Bought



Documents

Product Drawings

[RPS-18-12/2.0-9](#)

English

Datasheets & Catalog Pages

[RPS Heat Shrinkable Sleeves](#)

English

Product Specifications

[RPS](#)

English

Instruction Sheets

[Instruction Sheet \(non U.S.\)](#)

English

X-ON Electronics

Largest Supplier of Electrical and Electronic Components

Click to view similar products for [Wire Labels & Markers](#) category:

Click to view products by [TE Connectivity](#) manufacturer:

Other Similar products are found below :

[89078GBEST](#) [89082GBESR](#) [89082GBEST](#) [PCL025-4](#) [5761-2SF](#) [58400](#) [586R734H02](#) [M1.040.0000.6](#) [CRS-CM5M](#) [CRS-M18M](#) [CS1836-000](#) [CS8626-000](#) [CU6337-000](#) [CU6342-000](#) [CU6343-000](#) [CWD01-0](#) [CWD012-0](#) [CWD012-7](#) [CWD015-3](#) [CWD015-7](#) [CWD02-0](#) [CWD02-3](#) [CWD02-4](#) [CWD02-6](#) [CWD02-8](#) [CWD02-A](#) [CWD02-D](#) [CWD02-H](#) [CWD02-K](#) [CWD02-L](#) [CWD02-M](#) [CWD02-P](#) [CWD02-Q](#) [CWD02-R](#) [CWD02-U](#) [CWD02-W](#) [CWD02-Y](#) [CWD03-+](#) [CWD03-0](#) [CWD03-P](#) [CWD06-0](#) [CWD06-8](#) [CWD06-9](#) [CWD06-L](#) [CWD06-N](#) [CWD09-0](#) [CWD09-5](#) [CWD09-7](#) [6806810001](#) [CZ2857-000](#)