

THIS DRAWING IS UNPUBLISHED.

RELEASED FOR PUBLICATION

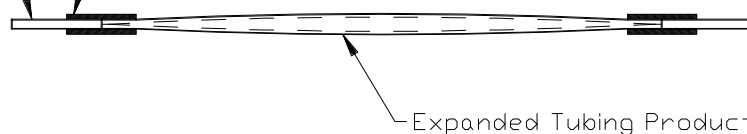
REVISIONS

© COPYRIGHT 2020 TE Connectivity Ltd.

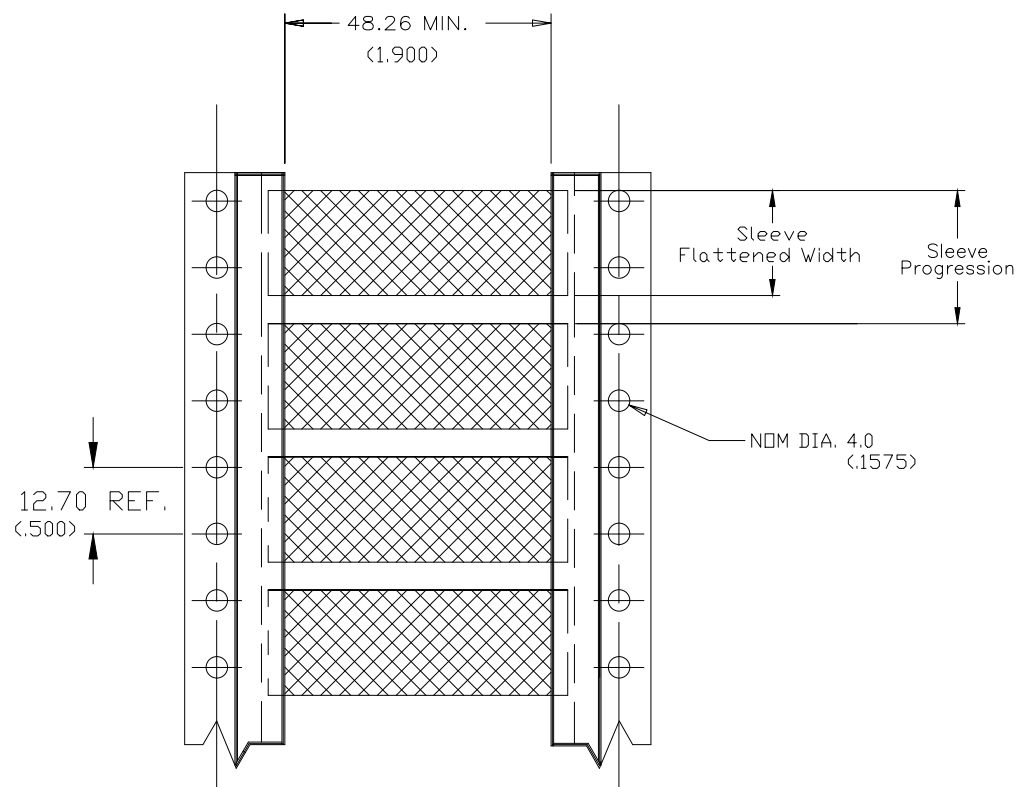
ALL RIGHTS RESERVED.

P	LTR	DESCRIPTION	DATE	DWN	APVD
	E	INITIAL CUSTOMER DRAWING	04FEB2020	AFK	LS

CARRIER FILM (Both Sides)
Tape (4 Places)

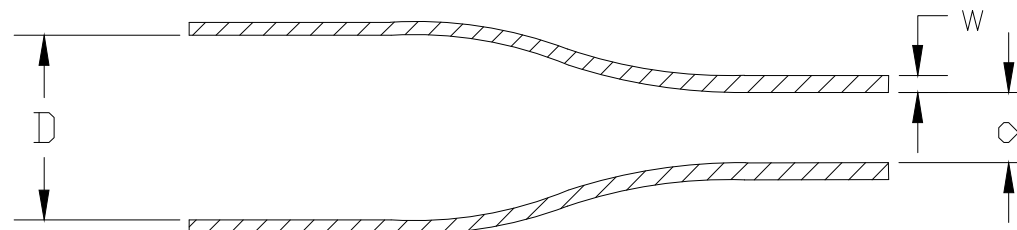


SECTION A - A



Product Size	22-18	18-12	16-10	8-4	10-2	6-250	1-400	400-1000
Minimum Sleeve Flattened Width	5.84 (.230)	8.00 (.315)	10.7 (.420)	15.5 (.610)	20.4 (.803)	30.5 (1.200)	40.4 (1.590)	60.3 (2.37)
Nominal Sleeve Progression	12.70 (.500)	12.70 (.500)	16.94 (.667)	25.40 (1.000)	29.64 (1.167)	42.34 (1.667)	50.80 (2.00)	71.96 (2.83)
"D" Minimum Supplied I.D.	3.18 (.125)	4.75 (.187)	6.35 (.250)	9.53 (.375)	12.70 (.500)	19.05 (.750)	25.40 (1.00)	38.10 (1.50)
"d" Maximum Recovered I.D.	1.07 (.042)	1.57 (.062)	2.11 (.083)	3.18 (.125)	4.22 (.166)	6.35 (.250)	8.46 (.333)	19.05 (.750)
"w" Recovered wall ±0.08 (.003)	0.58 (.023)	0.58 (.023)	0.58 (.023)	0.61 (.024)	0.61 (.024)	0.61 (.024)	0.64 (.025)	0.51 (.020)

DIMENSIONS IN mm (inches)



THIS DRAWING IS A CONTROLLED DOCUMENT.		DWN AFK	31JAN2020	STE TE Connectivity	
DIMENSIONS: mm		CHK -	APVD LS		
TOLERANCES UNLESS OTHERWISE SPECIFIED:		PRODUCT SPEC		RPS	
0 PLC ± -		RW-2510		-	
1 PLC ± -		APPLICATION SPEC		-	
2 PLC ± -		-		SIZE	CAGE CODE
3 PLC ± -		-		A3	0198G
4 PLC ± -		-		DRAWING NO	C=MCD160003
ANGLES ± -		WEIGHT		RESTRICTED TO	
FINISH		VARIOUS		-	
CROSS-LINKED POLYOLEFIN		CUSTOMER DRAWING		SCALE	SHEET
				-	1 OF 1
				REV	E

X-ON Electronics

Largest Supplier of Electrical and Electronic Components

Click to view similar products for [Wire Labels & Markers](#) category:

Click to view products by [TE Connectivity](#) manufacturer:

Other Similar products are found below :

[89078GBEST](#) [89082GBESR](#) [89082GBEST](#) [PCL025-4](#) [5761-2SF](#) [58400](#) [586R734H02](#) [M1.040.0000.6](#) [CRS-CM5M](#) [CRS-M18M](#) [CS1836-000](#) [CS8626-000](#) [CU6337-000](#) [CU6342-000](#) [CU6343-000](#) [CWD01-0](#) [CWD012-0](#) [CWD012-7](#) [CWD015-3](#) [CWD015-7](#) [CWD02-0](#) [CWD02-3](#) [CWD02-4](#) [CWD02-6](#) [CWD02-8](#) [CWD02-A](#) [CWD02-D](#) [CWD02-H](#) [CWD02-K](#) [CWD02-L](#) [CWD02-M](#) [CWD02-P](#) [CWD02-Q](#) [CWD02-R](#) [CWD02-U](#) [CWD02-W](#) [CWD02-Y](#) [CWD03-+](#) [CWD03-0](#) [CWD03-P](#) [CWD06-0](#) [CWD06-8](#) [CWD06-9](#) [CWD06-L](#) [CWD06-N](#) [CWD09-0](#) [CWD09-5](#) [CWD09-7](#) [6806810001](#) [CZ2857-000](#)