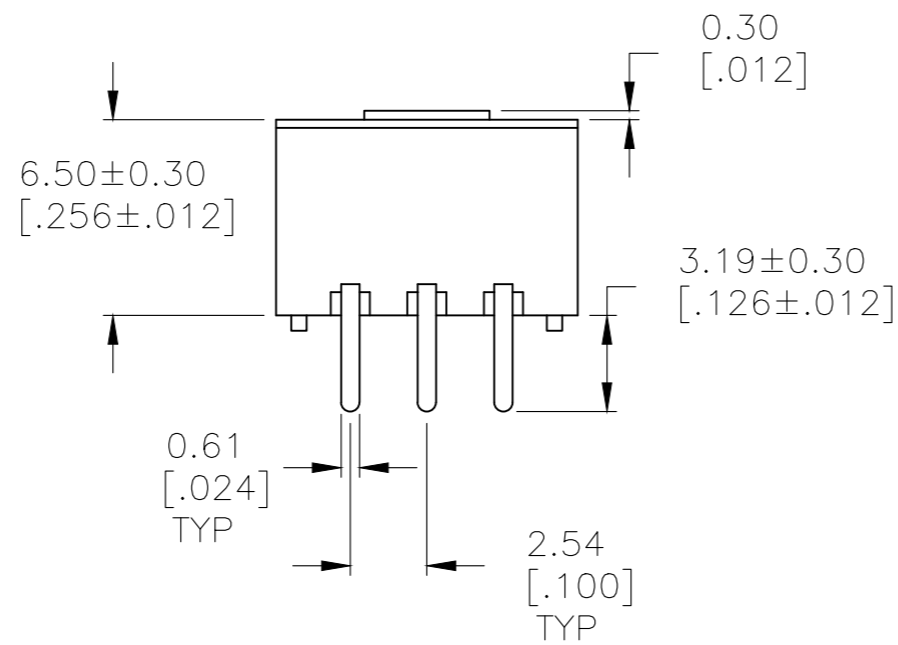
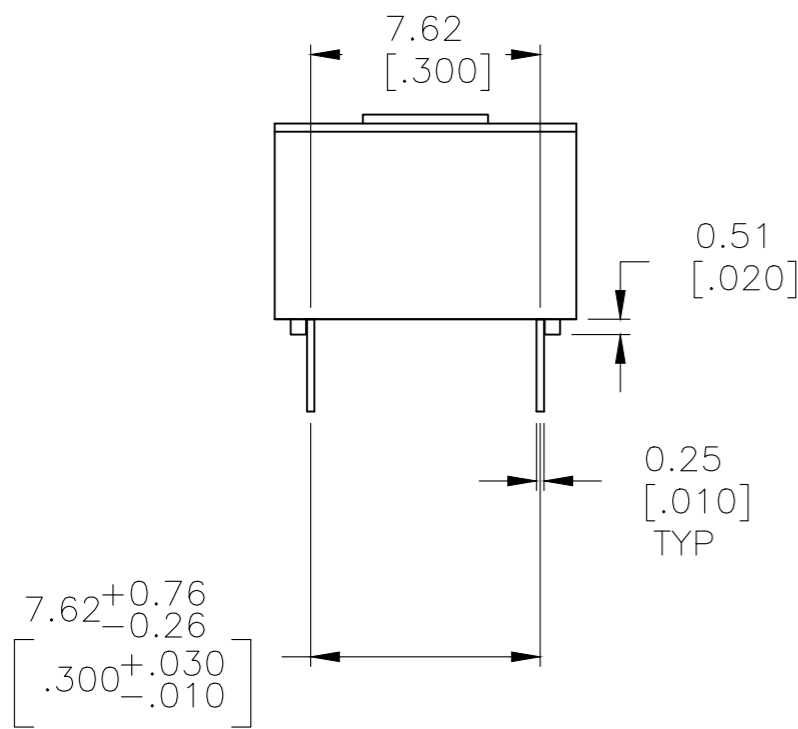
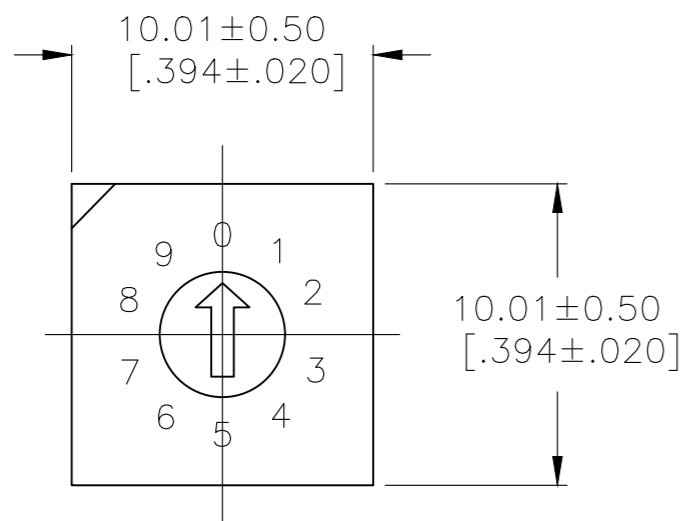
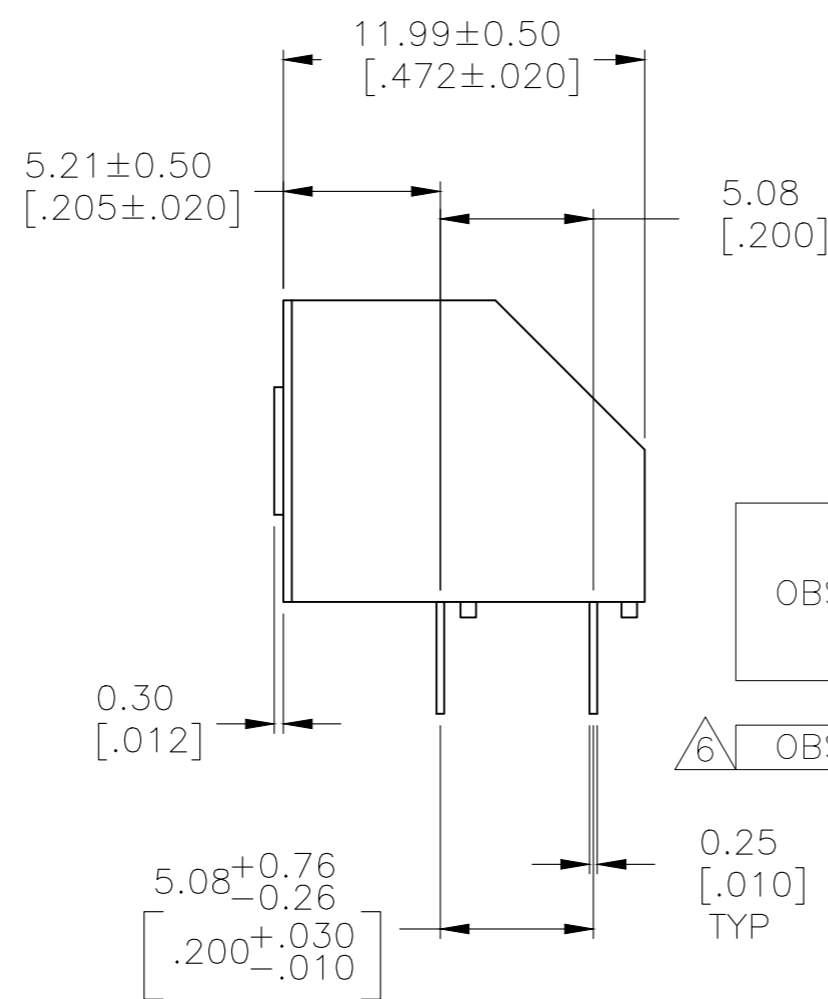
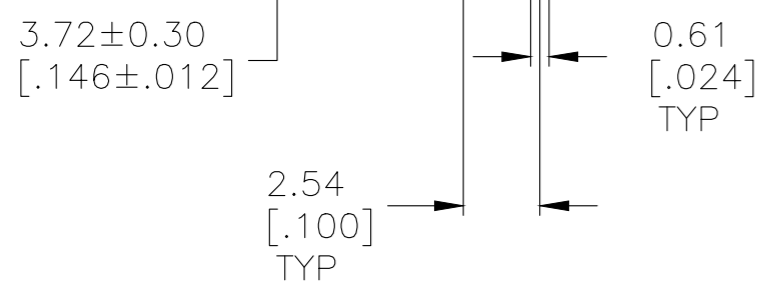
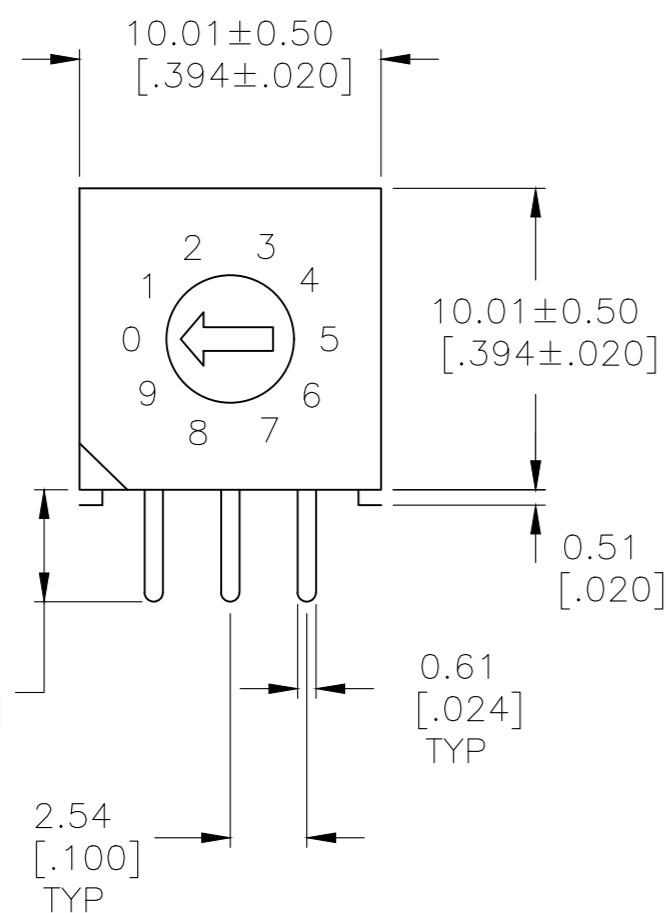


THIS DRAWING IS UNPUBLISHED. RELEASED FOR PUBLICATION
 © COPYRIGHT - TE Connectivity ALL RIGHTS RESERVED.

| REVISIONS | | | | | |
|-----------|-----|---------------------------|-----------|-----|------|
| P | LTR | DESCRIPTION | DATE | DWN | APVD |
| | A1 | REVISED PER ECO-09-024927 | 07NOV09 | KK | AEG |
| | A2 | REVISED PER ECO-17-001364 | 12MAY2017 | RK | AS |
| | A3 | REVISED PER ECO-17-007090 | 30JUN2017 | RK | PO |



RRD PC MOUNT



RRD RIGHT ANGLE PC MOUNT

SPECIFICATIONS:

MATERIAL:
 BASE AND COVER - PPS UL94V-0, BLACK
 ROTOR - NYLON PA6T UL94V-0, COLOR SEE P/N TABLE.
 MOVING CONTACT - COPPER ALLOY, GOLD FLASH OVER NICKEL.
 FIXED CONTACT - COPPER ALLOY, GOLD FLASH OVER NICKEL.
 TERMINALS - COPPER ALLOY, GOLD FLASH OVER NICKEL.

ELECTRICAL:
 CONTACT RATING - 0.4 VA @ 20 VDC OR PEAK AC.
 INITIAL CONTACT RESISTANCE - 50 MILLIOHMS MAX.
 INSULATION RESISTANCE - 1,000 MEGOHMS @ 100 VDC.
 DIELECTRIC STRENGTH - 300 VAC.
 LIFE EXPECTANCY - 10,000 ROTATIONS.

MECHANICAL:
 ACTUATION FORCE - 6 OZ.-IN. (NOM.).

ENVIRONMENTAL:
 OPERATING TEMPERATURE: -22°F TO +185°F (-30°C TO +85°C).
 STORAGE TEMPERATURE: -49°F TO +212°F (-45°C TO +100°C).
 RESISTANCE TO SOLDER HEAT PER 109-202, CONDITION B.
 SOLDERABILITY PER EIA-364-52 CLASS 2, CATEGORY 1.

NOTES:

- 1 RED ROTOR WITH WHITE PRINTING ON TOP AND SIDE OF SWITCH.
- 2 BLACK ROTOR WITH WHITE PRINTING ON TOP AND SIDE OF SWITCH.
- 3 ORANGE ROTOR WITH WHITE PRINTING ON TOP AND SIDE OF SWITCH.
- 4 WHITE ROTOR WITH WHITE PRINTING ON TOP AND SIDE OF SWITCH.
- 5. ALL MATERIALS AND FINISHES SHALL COMPLY WITH EU DIRECTIVE 2002/95/EC OF 27JAN2003(ROHS).
- 6 OBSOLETE PARTS: OBSOLETE CIS STREAMLINING PER D.RENAUD/D.SINISI

| REMARKS | TERMINATION | CIRCUIT TYPE | RESISTOR VALUE | T&B P/N. | TE P/N. |
|----------|-------------|--------------|------------------------|-----------|--------------------------|
| OBSOLETE | 4 | RIGHT ANGLE | HEXADECIMAL COMPLEMENT | 3.3k ohms | RRD16C3.3KRA04 1825444-7 |
| OBSOLETE | 4 | PC | HEXADECIMAL COMPLEMENT | 3.3k ohms | RRD16C3.3K04 1825444-6 |
| OBSOLETE | 4 | RIGHT ANGLE | HEXADECIMAL COMPLEMENT | 10k ohms | RRD16C10KRA04 1825444-5 |
| OBSOLETE | 4 | PC | HEXADECIMAL COMPLEMENT | 10k ohms | RRD16C10K04 1825444-4 |
| OBSOLETE | 2 | RIGHT ANGLE | HEXADECIMAL | 10k ohms | RRD1610KRA04 1825444-3 |
| OBSOLETE | 2 | PC | HEXADECIMAL | 10k ohms | RRD1610K04 1825444-2 |
| OBSOLETE | 1 | PC | BC DECIMAL | 10k ohms | RRD1010K04 1825444-1 |

THIS DRAWING IS A CONTROLLED DOCUMENT.

| | | |
|------|----------|---------|
| DWN | M.BINNER | 23OCT06 |
| CHK | M.SARVER | 23OCT06 |
| APVD | M.SARVER | 23OCT06 |

TE Connectivity

RRD SERIES ROTARY DIP SWITCH

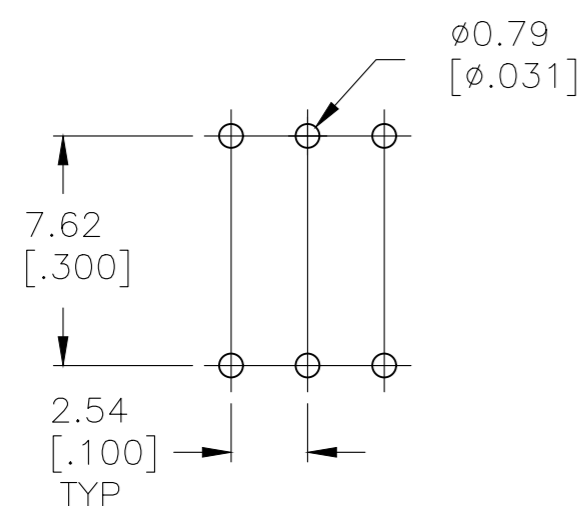
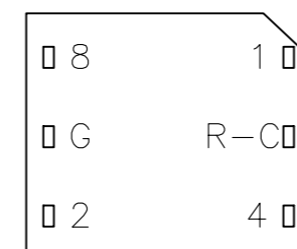
| | | | |
|------|-----------|------------|---------------|
| SIZE | CAGE CODE | DRAWING NO | RESTRICTED TO |
| A2 | 00779 | C=1825444 | - |

CUSTOMER DRAWING SCALE 4:1 SHEET 1 OF 2 REV A3

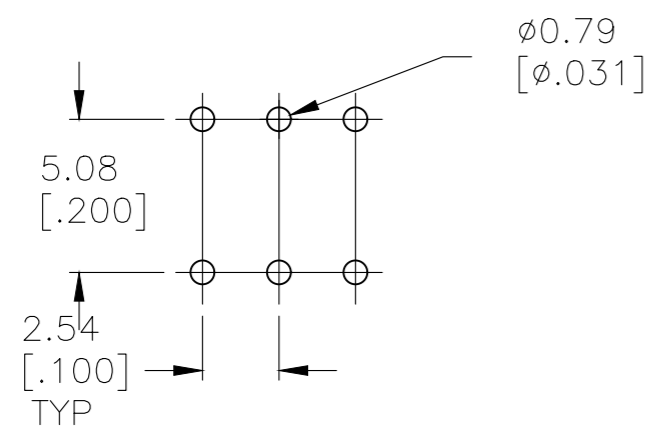
| REVISIONS | | | | |
|-----------|-----|-------------|------|------|
| P | LTR | DESCRIPTION | DATE | APVD |
| - | - | SEE SHEET 1 | - | - |

TRUTH TABLES

FOR HYBRID VERSIONS (RR SERIES AND RA/C SERIES),
 COMMON BETWEEN TERMINALS 1 AND 4 IS RESISTOR
 OR DIODE COMMON.
 COMMON BETWEEN TERM 2 AND 8 IS GROUND
 (VIEWED FROM BOTTOM OF SWITCH)



PC



PC

RIGHT ANGLE

RECOMMENDED HOLE LAYOUT
 TOLERANCE ±.002 UNLESS OTHERWISE NOTED

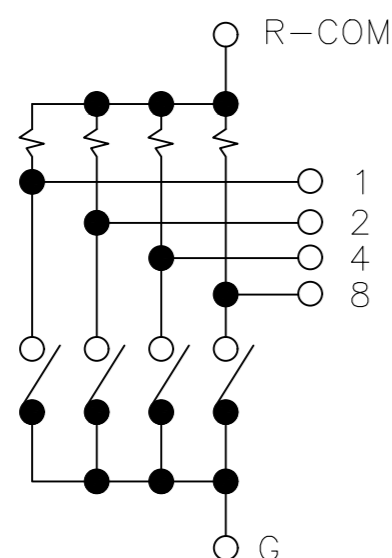
10-POSITION, BCD ¹

| POS. | 0 | 1 | 2 | 3 | 4 | 5 | 6 | 7 | 8 | 9 |
|------|---|---|---|---|---|---|---|---|---|---|
| 0 | X | X | X | X | X | X | X | X | X | X |
| 1 | | X | | X | | X | | X | | X |
| 2 | | | X | X | | | X | X | | |
| 4 | | | | | X | X | X | X | | |
| 8 | | | | | | | | | X | X |

16-POSITION, HEXADECIMAL ²

| POS. | 0 | 1 | 2 | 3 | 4 | 5 | 6 | 7 | 8 | 9 | A | B | C | D | E | F |
|------|---|---|---|---|---|---|---|---|---|---|---|---|---|---|---|---|
| 0 | X | X | X | X | X | X | X | X | X | X | X | X | X | X | X | X |
| 1 | | X | | X | | X | | X | | X | | X | | X | | X |
| 2 | | | X | X | | | X | X | | | X | X | | | X | X |
| 4 | | | | | X | X | X | X | | | | | X | X | X | X |
| 8 | | | | | | | | | X | X | X | X | X | X | X | X |

RR SERIES RESISTOR NETWORK INFORMATION



10-POSITION, BCD COMPLIMENT ³

| POS. | 0 | 1 | 2 | 3 | 4 | 5 | 6 | 7 | 8 | 9 |
|------|---|---|---|---|---|---|---|---|---|---|
| 0 | X | X | X | X | X | X | X | X | X | X |
| 1 | X | | X | | X | | X | | X | |
| 2 | X | X | | | X | X | | | X | X |
| 4 | X | X | X | X | | | | | X | X |
| 8 | X | X | X | X | X | X | X | X | | |

16-POSITION, HEXADECIMAL COMPLIMENT ⁴

| POS. | 0 | 1 | 2 | 3 | 4 | 5 | 6 | 7 | 8 | 9 | A | B | C | D | E | F |
|------|---|---|---|---|---|---|---|---|---|---|---|---|---|---|---|---|
| 0 | X | X | X | X | X | X | X | X | X | X | X | X | X | X | X | X |
| 1 | X | | X | | X | | X | | X | | X | | X | | X | |
| 2 | X | X | | | X | X | | | X | X | | | X | X | | |
| 4 | X | X | X | X | | | | | X | X | X | X | | | | |
| 8 | X | X | X | X | X | X | X | X | | | | | | | | |

| | | | |
|-------------|------------|------------|--------------|
| 125mW | 3.3k ohms | ±5% @ 85°C | 24V |
| | 10k ohms | | |
| RATED POWER | RESISTANCE | TOLERANCE | MAX. VOLTAGE |

| | | | |
|---|--|-----------------------------|---|
| THIS DRAWING IS A CONTROLLED DOCUMENT. | | DWN M.BINNER 23OCT06 | TE Connectivity |
| DIMENSIONS: mm [INCHES] | | CHK M.SARVER 23OCT06 | |
| TOLERANCES UNLESS OTHERWISE SPECIFIED: 0 PLC ± - 1 PLC ± - 2 PLC ± 0.25[.010] 3 PLC ± - 4 PLC ± - ANGLES ± 1° | | APVD M.SARVER 23OCT06 | NAME RRD SERIES ROTARY DIP SWITCH |
| MATERIAL SEE SPECIFICATIONS | | FINISH - | RESTRICTED TO - |
| CUSTOMER DRAWING | | WEIGHT - | SIZE A2 |
| SCALE 4:1 | | SHEET 2 OF 2 | REV A3 |

X-ON Electronics

Largest Supplier of Electrical and Electronic Components

Click to view similar products for [DIP Switches/SIP Switches](#) category:

Click to view products by [TE Connectivity](#) manufacturer:

Other Similar products are found below :

[78M03S](#) [79B10T](#) [8136-475G4T](#) [G7G-1A2-CB-DC12](#) [A7SS-M](#) [DBP 2110](#) [DBP 2112](#) [DBS1008](#) [DHN02FTVTR](#) [DHS108](#) [DRD16CSE04](#)
[DRR60016](#) [DRS4016](#) [BD06E](#) [1825008-1](#) [1825444-1](#) [25.350.0653.0](#) [LA2-DC12](#) [SBS 5004 TG](#) [SDA10H1BDA](#) [97R06ST](#) [A2C-2A5](#)
[1825444-7](#) [ADE08SA04](#) [ADE12S04](#) [2-1825058-8](#) [CCVA 2.5/ 4-G-5.08](#) [P26THRR32](#) [25.330.0653.1](#) [25.352.0353.0](#) [IKN0600000](#)
[IKN0800000](#) [LA2-002-DC24](#) [DBP2008](#) [DBS1003](#) [DBS2008](#) [438872000](#) [DRD10CRAE04](#) [DRS1604](#) [DSR02T](#) [DSS 208 N](#) [5-1825033-1](#)
[106-SDN06-EV](#) [1-1437507-6](#) [E2FMX2D1M1TGJ03M](#) [E3ZMCT81M1TJ03M](#) [NDI10H](#) [NDIR03ST](#) [204-3STR](#) [EPM02FV](#) [2161394-2](#)