

4

3

2

1

D

D

C

C

B

B

A

A

D

D

B

B

A

A

D

D

B

B

A

A

D

D

B

B

A

A

D

D

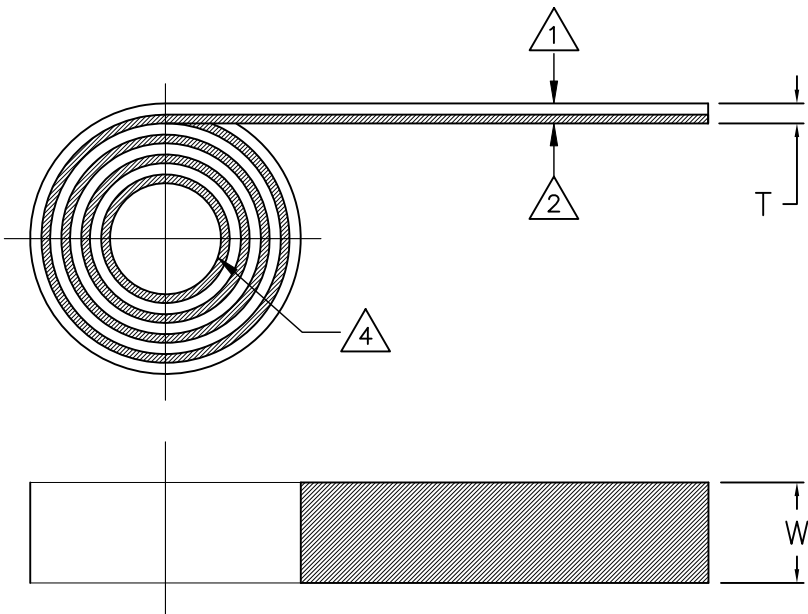
B

B

A

A

REVISIONS		
LTR	DESCRIPTION	DATE
A	INITIAL RELEASE PER ECO-11-016336	08/10/2011
B	UPDATED CD PER ECO-19-000693	01/15/2019



### NOTES

1. FLUID RESISTANT, HIGH TEMPERATURE FLOUROPOLYMER
2. HIGH TEMPERATURE THERMOPLASTIC ADHESIVE
3. REFER TO RT-1381 FOR PRODUCT SPECIFICATION
4. TAPE SHALL BE SPOOLED ON A FIBER OR PLASTIC HUB
5. REFER TO TUS-41-3032 FOR INSTALLATION INSTRUCTIONS
6. ORDERING INFORMATION

RT-555-T1.0-A260-XX

BACKING MATERIAL

TAPE WIDTH (INCHES)

ADHESIVE

TAPE LENGTH (FEET)

### TABLE OF DIMENSIONS

PART DESCRIPTION	W	-XX LENGTH in FEET (MIN)	T
RT-555-T.75-A260-XX	.75 [19]	25 or 50	.016 [.41]
RT-555-T1.0-A260-XX	1.0 [25]	25 or 50	.016 [.41]
RT-555-T1.5-A260-XX	1.5 [38]	25 or 50	.016 [.41]
RT-555-T2.0-A260-XX	2.0 [51]	25 or 50	.016 [.41]

Raychem Molded Parts  
CUSTOMER DRAWING

UNLESS OTHERWISE SPECIFIED  
DIMENSIONS ARE INCHES. METRIC  
DIMENSIONS ARE IN BRACKETS.

DECIMAL TOLERANCES

.XXX ± 0.005 [0.13 mm]  
.XX ± 0.01 [0.25 mm]  
.X ± 0.1 [0.50 mm]

ANGLE TOLERANCE

.X ± 1 DEG.

TE CONNECTIVITY RESERVES THE RIGHT TO  
AMEND THIS DRAWING AT ANY TIME. USERS  
SHOULD EVALUATE THE SUITABILITY OF THE  
PRODUCT FOR THEIR APPLICATION.

DRAWN  
UNGUYEN

APPROVED  
DHURRELL

THIRD ANGLE  
PROJECTION



TE Connectivity

TITLE  
HIGH TEMPERATURE HEAT SHRINK TAPE

SIZE  
B

CODE IDENT. NO.  
06090

DWG. NO.  
RT-555-TX.X-A260-XX

© 2011-2019 TE Connectivity Corporation. All rights reserved.

DO NOT SCALE THIS DRAWING

SHEET 1 OF 1

## X-ON Electronics

Largest Supplier of Electrical and Electronic Components

*Click to view similar products for [Heat Shrink Tubing and Sleeves](#) category:*

*Click to view products by [TE Connectivity](#) manufacturer:*

Other Similar products are found below :

[5685710001](#) [CR9960-000](#) [5734012004](#) [607381P039](#) [611112-000](#) [6284592002](#) [CX4711-000](#) [CZ1420-000](#) [D-306-38](#) [770-006S302](#) [770-010Y106W1](#) [770-018S103](#) [770-018S202W1](#) [770-018S205W1](#) [770-020S704W1](#) [770-020S705](#) [MFP-3/64"-Clear](#) [790-3012](#) [MHHT-4-15K2-G-104](#) [8003012003](#) [MIL-LT-1-1/2-4-SP](#) [MIL-LT-1-1/2-9-STK](#) [MIL-LT-1/2-2-STK](#) [MIL-LT-3-0-SP](#) [MIL-LT-3/32-0-SP](#) [MIL-LT-3/32-6-SP](#) [MIL-LT-3/4-4-STK](#) [MIL-LT-3/4-6-SP](#) [839602-000](#) [8423-6](#) [FP301-116-48"-Clear](#) [FP301-12-6"-Clear](#) [FP301-1/4-48"-White-Hdr](#) [FP301-18-48"-Black-Hdr](#) [FP301-1/8-6"-Black](#) [FP301-18-6"-Black-Bulk](#) [FP301-316-48"-Blue-Hdr](#) [912229N002](#) [R280637030](#) [HDCW-5515-1000](#) [HDT-0300-48A-BLACK](#) [HDT-0400-48A-Black](#) [HDT-0800-48A-RED](#) [HDT1100-48A-BLK](#) [HDT1500-48A-BLK](#) [HDT-2000-48A-Black](#) [RHW-70/20-1200/ADH-0](#) [DWP-125-0.450-4-55MM-CS879](#) [156082-000](#) [MT5500-3/8-X-SP](#)