

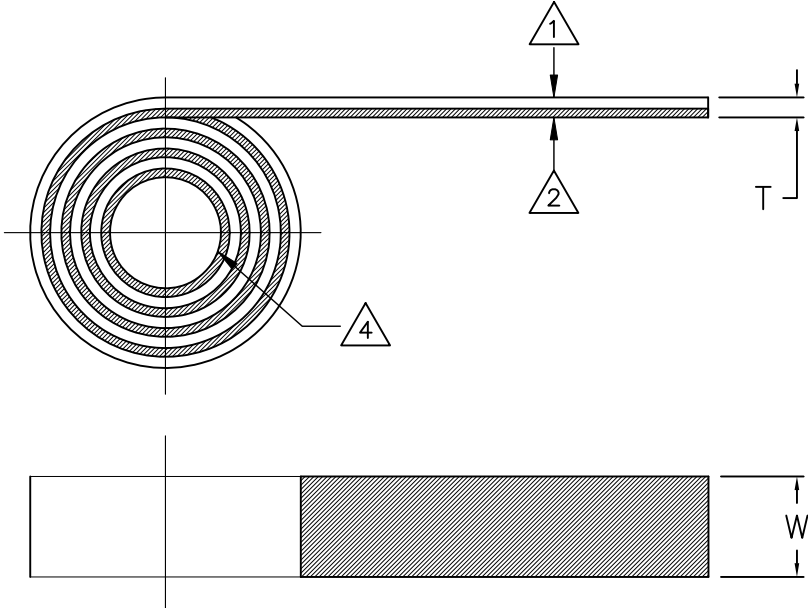
4

3

2

1

REVISIONS		
LTR	DESCRIPTION	DATE
A	INITIAL RELEASE PER ECO-11-016336	08/10/2011
B	UPDATED CD PER ECO-19-000693	01/15/2019



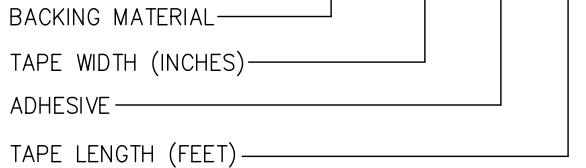
NOTES

- 1. FLUID RESISTANT, HIGH TEMPERATURE FLOUROPOLYMER
- 2. HIGH TEMPERATURE THERMOPLASTIC ADHESIVE
- 3. REFER TO RT-1381 FOR PRODUCT SPECIFICATION
- 4. TAPE SHALL BE SPOOLED ON A FIBER OR PLASTIC HUB
- 5. REFER TO TUS-41-3032 FOR INSTALLATION INSTRUCTIONS
- 6. ORDERING INFORMATION

PART DESCRIPTION	W	-XX LENGTH in FEET (MIN)	T
RT-555-T.75-A260-XX	.75 [19]	25 or 50	.016 [.41]
RT-555-T1.0-A260-XX	1.0 [25]	25 or 50	.016 [.41]
RT-555-T1.5-A260-XX	1.5 [38]	25 or 50	.016 [.41]
RT-555-T2.0-A260-XX	2.0 [51]	25 or 50	.016 [.41]

Raychem Molded Parts
CUSTOMER DRAWING

RT-555-T1.0-A260-XX



UNLESS OTHERWISE SPECIFIED DIMENSIONS ARE INCHES. METRIC DIMENSIONS ARE IN BRACKETS. DECIMAL TOLERANCES .XXX ± 0.005 [0.13 mm] .XX ± 0.01 [0.25 mm] .X ± 0.1 [0.50 mm] ANGLE TOLERANCE .X ± 1 DEG.	DRAWN UNGUYEN		TE Connectivity	
	APPROVED DHURRELL		TITLE HIGH TEMPERATURE HEAT SHRINK TAPE	SIZE B
TE CONNECTIVITY RESERVES THE RIGHT TO AMEND THIS DRAWING AT ANY TIME. USERS SHOULD EVALUATE THE SUITABILITY OF THE PRODUCT FOR THEIR APPLICATION.	THIRD ANGLE PROJECTION 	DWG. NO. RT-555-TX.X-A260-XX	DO NOT SCALE THIS DRAWING	
© 2011-2019 TE Connectivity Corporation. All rights reserved.		SHEET 1 OF 1		

4

3

2

1

X-ON Electronics

Largest Supplier of Electrical and Electronic Components

Click to view similar products for [Heat Shrink Tubing and Sleeves](#) category:

Click to view products by [TE Connectivity](#) manufacturer:

Other Similar products are found below :

[770-006S102](#) [5685710001](#) [CR6145-000](#) [CR8248-000](#) [CR9960-000](#) [603312-4](#) [607381P039](#) [611112-000](#) [617867N001](#) [6500750004](#) [CZ1420-000](#) [D-306-38](#) [770-003S106W2](#) [770-005S105W1](#) [770-005S106W1](#) [770-007A303](#) [770-010Y106W1](#) [770-010Y706W1](#) [7771210001](#) [MFP-1/4"-Clear](#) [MFP-3/64"-Clear](#) [790-3012](#) [MFT-MT2000-NO.14-0-SP](#) [MHHT-4-15K2-G-104](#) [MIL-LT-1-1/2-4-SP](#) [MIL-LT-1-1/2-9-STK](#) [MIL-LT-1/2-2-STK](#) [MIL-LT-3-0-SP](#) [MIL-LT-3/32-0-SP](#) [MIL-LT-3/32-6-SP](#) [MIL-LT-3/4-6-SP](#) [MIL-LT-3/8-0-SP](#) [8159270001](#) [839602-000](#) [8423-6](#) [FP301-116-6"-Black](#) [FP301-1/2-48"-Black](#) [FP301-12-48"-Black-Hdr](#) [FP301-1/4-48"-Black](#) [FP301-1/4-48"-White-Hdr](#) [FP301-18-48"-Black-Hdr](#) [FP301-1/8-6"-Black](#) [FP301-18-6"-Black-Bulk](#) [FP301-316-48"-Blue-Hdr](#) [FP301-316-6"-Clear](#) [FP301-332-6"-Black](#) [912229N002](#) [120-126-16BL](#) [121-001-09](#) [121-018-32](#)