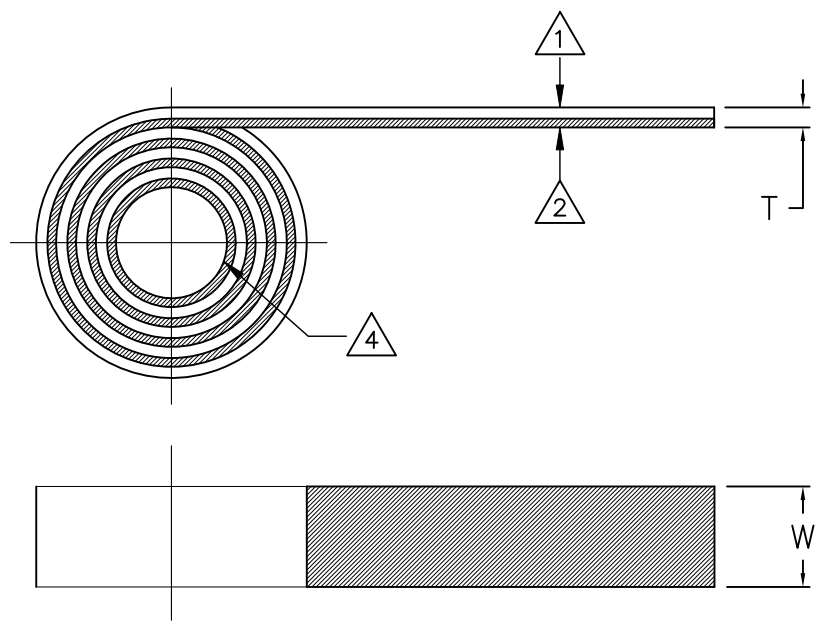


4 | 3 | 2 | 1

REVISIONS		
LTR	DESCRIPTION	DATE
A	INITIAL RELEASE PER ECO-11-016336	08/10/2011
B	UPDATED CD PER ECO-19-000693	01/15/2019

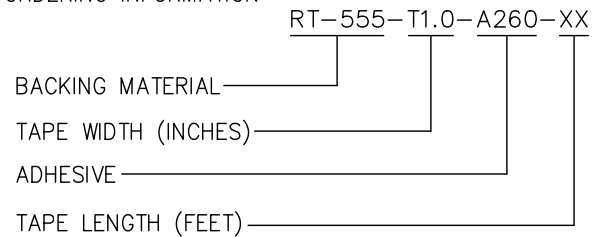


NOTES

- 1. FLUID RESISTANT, HIGH TEMPERATURE FLOUROPOLYMER
- 2. HIGH TEMPERATURE THERMOPLASTIC ADHESIVE
- 3. REFER TO RT-1381 FOR PRODUCT SPECIFICATION
- 4. TAPE SHALL BE SPOOLED ON A FIBER OR PLASTIC HUB
- 5. REFER TO TUS-41-3032 FOR INSTALLATION INSTRUCTIONS
- 6. ORDERING INFORMATION

PART DESCRIPTION	W	-XX LENGTH in FEET (MIN)	T
RT-555-T.75-A260-XX	.75 [19]	25 or 50	.016 [.41]
RT-555-T1.0-A260-XX	1.0 [25]	25 or 50	.016 [.41]
RT-555-T1.5-A260-XX	1.5 [38]	25 or 50	.016 [.41]
RT-555-T2.0-A260-XX	2.0 [51]	25 or 50	.016 [.41]

Raychem Molded Parts
CUSTOMER DRAWING



<small>UNLESS OTHERWISE SPECIFIED DIMENSIONS ARE INCHES. METRIC DIMENSIONS ARE IN BRACKETS.</small> <small>DECIMAL TOLERANCES</small> .XXX ± 0.005 [0.13 mm] .XX ± 0.01 [0.25 mm] .X ± 0.1 [0.50 mm] <small>ANGLE TOLERANCE</small> .X ± 1 DEG.	<small>DRAWN</small> UNGUYEN	 TE Connectivity
	<small>APPROVED</small> DHURRELL	
<small>TE CONNECTIVITY RESERVES THE RIGHT TO AMEND THIS DRAWING AT ANY TIME. USERS SHOULD EVALUATE THE SUITABILITY OF THE PRODUCT FOR THEIR APPLICATION.</small>	<small>THIRD ANGLE PROJECTION</small>	<small>SIZE</small> B
<small>© 2011-2019 TE Connectivity Corporation. All rights reserved.</small>	<small>CODE IDENT. NO.</small> 06090	<small>DWG. NO.</small> RT-555-TX.X-A260-XX
<small>DO NOT SCALE THIS DRAWING</small>		<small>SHEET 1 OF 1</small>

4 | 3 | 2 | 1

X-ON Electronics

Largest Supplier of Electrical and Electronic Components

Click to view similar products for [Heat Shrink Tubing and Sleeves](#) category:

Click to view products by [TE Connectivity](#) manufacturer:

Other Similar products are found below :

[5685710001](#) [CR9960-000](#) [5734012004](#) [607381P039](#) [611112-000](#) [6284592002](#) [CX4711-000](#) [CZ1420-000](#) [D-306-38](#) [770-006S302](#) [770-010Y106W1](#) [770-018S103](#) [770-018S202W1](#) [770-018S205W1](#) [770-020S704W1](#) [770-020S705](#) [MFP-3/64"-Clear](#) [790-3012](#) [MHHT-4-15K2-G-104](#) [8003012003](#) [MIL-LT-1-1/2-4-SP](#) [MIL-LT-1-1/2-9-STK](#) [MIL-LT-1/2-2-STK](#) [MIL-LT-3-0-SP](#) [MIL-LT-3/32-0-SP](#) [MIL-LT-3/32-6-SP](#) [MIL-LT-3/4-4-STK](#) [MIL-LT-3/4-6-SP](#) [839602-000](#) [8423-6](#) [FP301-116-48"-Clear](#) [FP301-12-6"-Clear](#) [FP301-1/4-48"-White-Hdr](#) [FP301-18-48"-Black-Hdr](#) [FP301-1/8-6"-Black](#) [FP301-18-6"-Black-Bulk](#) [FP301-316-48"-Blue-Hdr](#) [912229N002](#) [R280637030](#) [HDCW-5515-1000](#) [HDT-0300-48A-BLACK](#) [HDT-0400-48A-Black](#) [HDT-0800-48A-RED](#) [HDT1100-48A-BLK](#) [HDT1500-48A-BLK](#) [HDT-2000-48A-Black](#) [RHW-70/20-1200/ADH-0](#) [DWP-125-0.450-4-55MM-CS879](#) [156082-000](#) [MT5500-3/8-X-SP](#)