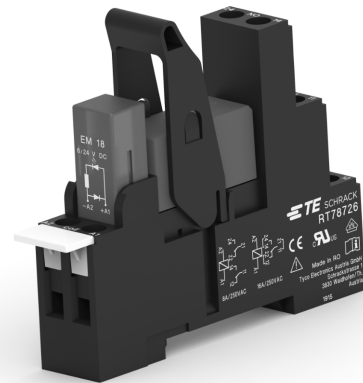


DIN-Rail Accessories Industrial Power Relay RT

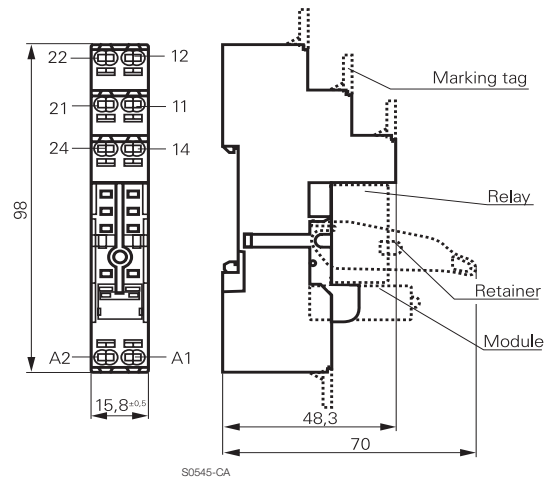
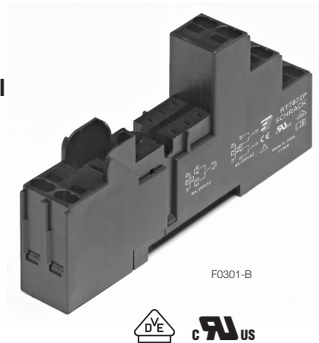
- For Industrial Power Relay RT
pinnings 3.5 mm / 5 mm; relay height 15.7 mm
- New retainer clip with ejection function
- Easy replacement of relays on a densely packed DIN rail
- No reduction of protection class or creepage/clearance with plastic retainer
- Simple plug-in indicator- and protection modules
- White snap-on marking tags



Premium socket with screwless terminals for DIN rail mounting

RT 78 72P Premium socket, logical terminal arrangement

- Screwless Clamps
- Mounting of solid wires without tool
- Double Clamps per terminal
- Jumper links for interconnection
- Logical terminal arrangement



Approvals

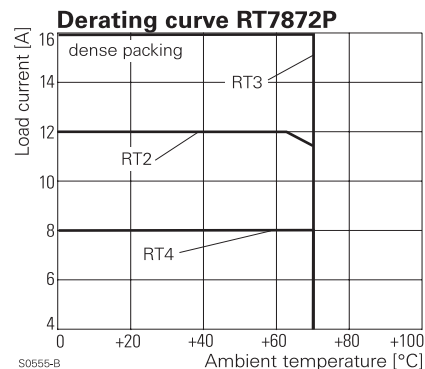
VDE Cert. No. 40007571, cULus E135149

Technical data

| | |
|---|--|
| Rated voltage/Max. switching voltage AC | 240/400 VAC |
| Rated current | 2 x 8 A, 16 A*) |
| Dielectric strength | coil-contact circuit 5000 V _{rms} |
| | open contact circuit 1000 V _{rms} |
| | adjacent contact circuits 2500 V _{rms} |
| Clearance / creepage | coil-contact circuit ≥ 10/10 mm |
| | Material group of insulation parts IIIa |
| Flammability class UL 94 | V-0 |
| Insulation to IEC 60664-1 | Type of insulation coil-contact circuit reinforced |
| | open contact circuit functional |
| | adjacent contact circuits functional |
| | Rated insulation voltage 250 V |
| Pollution degree | 2 |
| Rated voltage system | 230 / 400 V |
| Overtoltage category | III |

*) For 1 pole relays (16 A) the relay terminals 11-21, 12-22 and 14-24 have to be bridged.

- Not suitable for bistable relays with 2 coils!



DIN-Rail Accessories Industrial Power Relay RT (Continued)

Technical data (continued)

Material compliance: EU RoHS/ELV, China RoHS, REACH, Halogen content refer to the Product Compliance Support Center at www.te.com/customersupport/rohssupportcenter

| | |
|---|--|
| Ambient temperature range | |
| for mounting/handling | -20...+70°C |
| in operation | -40...+70°C |
| Terminals | screwless |
| Wire strip length | 12 mm |
| Wire cross section | |
| solid wire | 1x0.75/1/1.5mm ² 2x0.75/1mm ² 2x1.5mm ² |
| with stand. isolation (no oversize isolation) | 2x1.5mm ² |
| stranded wire | |
| without bootlace crimp | 1x0.75/1/1.5mm ² 2x0.75/1mm ² 2x1.5mm ² |
| without bootlace crimp with stand. isolation | 2x1.5mm ² |
| with bootlace crimp | 1x0.75/1mm ² 2x0.75mm ² 2x1.5mm ² |
| with bootlace crimp without isolation | 1x1.5mm ² |
| or min 18 mm long | |

For stranded wires with braids 0.05 mm or smaller the use of bootlace crimps is recommended. When using stranded wires without bootlace crimp, the clamp must be opened during insertion.

| | |
|----------------------------|--------------------|
| Insertion cycles | A (10) |
| Max. Insertion Force total | 100 N |
| Mounting distance | ≥ 0, dense packing |
| Weight | 36 g |
| Packaging unit | 10 pcs |

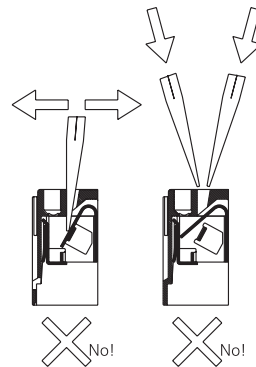
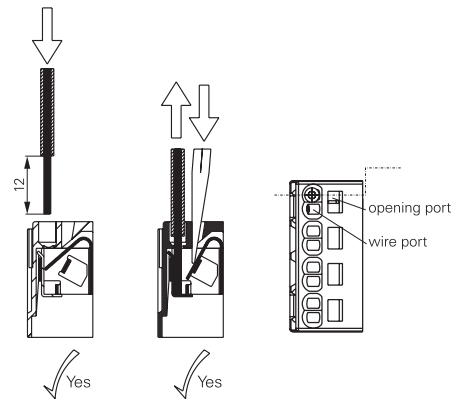
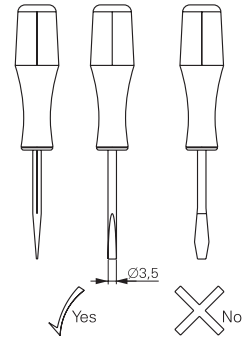
Socket with screwless terminals for DIN rail mounting

| Type | Part Number |
|--|-------------|
| RT 78 72P Premium socket, logical terminal arrangement Socket with screwless terminals, pinning 5 mm for DIN rail mounting | 1860200-1 |

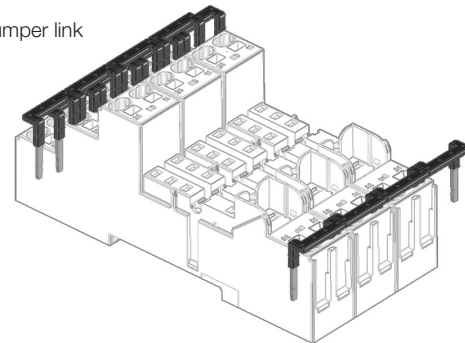
Accessories for RT 78 72P

| Type | Part Number |
|---|-------------|
| RT 17 017 Plastic retaining clip, relay height 15.7 mm | 2022103-1 |
| RT 17 040 Marking tag | 2-1415038-1 |
| RT 17 0P1 Jumper link, max load 12 A | 1860211-1 |

How to use, Precautions



Jumper link



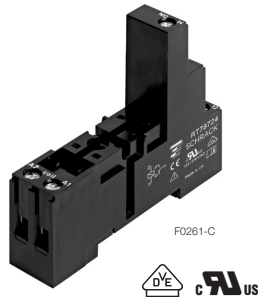
DIN-Rail Accessories Industrial Power Relay RT (Continued)

Socket with screw-type terminals for DIN rail mounting

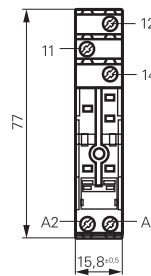
RT 78 724 Socket with screw-type terminals, pinning 3.5 mm for DIN rail mounting

RT 78 726 Socket with screw-type terminals, pinning 5 mm for DIN rail mounting, logical terminal arrangement

- DIN-rail socket with logical setup of connections (input/output)
- High quality rising clamp terminals
- Captive combination terminal screws
- Jumper bars for interconnection

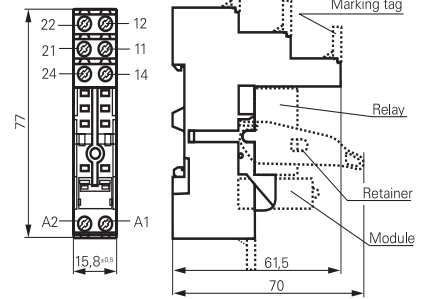


RT 78 724



S0416-CA

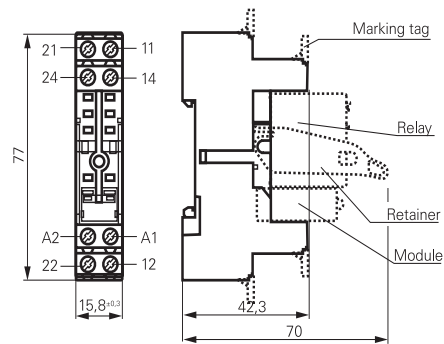
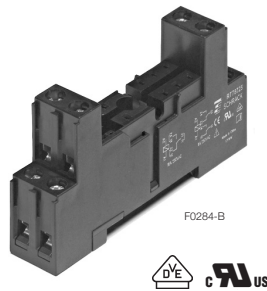
RT 78 726



S0416-CB

RT 78 725 Socket with screw-type terminals, pinning 5 mm for DIN rail mounting, conventional terminal arrangement

- Conventional terminal arrangement



S0540-BT

Approvals

VDE Cert. No. 40007571, cULus E135149

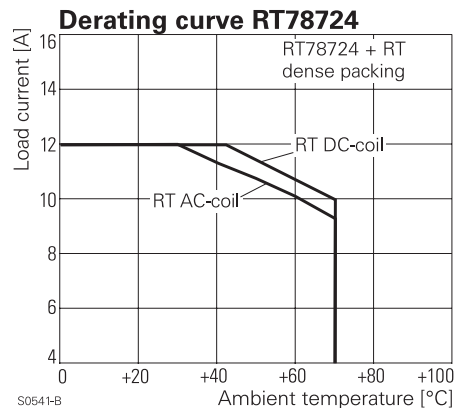
Technical data RT78724/RT78726 RT78725

| | | | |
|---|------------------------------------|---|------------|
| Rated voltage/Max. switching voltage AC | 240/400 VAC | | |
| Rated current | 12 A, 2 x 8 A, 16 A*) | | |
| Dielectric strength | coil-contact circuit | 5000 V _{rms} 4000 V _{rms} | |
| | open contact circuit | 1000 V _{rms} 1000 V _{rms} | |
| | adjacent contact circuits | 2500 V _{rms} 2500 V _{rms} | |
| Clearance / creepage | coil-contact circuit | ≥ 10/10 mm ≥ 4.7/4.7 mm | |
| | Material group of insulation parts | IIIa | |
| Flammability class UL 94 | V-0 | | |
| Insulation to IEC 60664-1 | Type of insulation | coil-contact circuit reinforced | basic |
| | | open contact circuit | functional |
| | | adjacent contact circuits | functional |
| | Rated insulation voltage | 250 V | |
| Pollution degree | 2 | | |
| Rated voltage system | 230 / 400 V | | |
| Overvoltage category | III | | |

Material compliance: EU RoHS/ELV, China RoHS, REACH, Halogen content refer to the Product Compliance Support Center at www.te.com/customer-support/rohssupportcenter

*) For 1 pole relays (16 A) the relay terminals 11-21, 12-22 and 14-24 have to be bridged.
For 1 pole relays (12 A) the relay terminals 11-12-14 have to be connected to the socket terminals 21-12-14.

- Not suitable for bistable relays with 2 coils!



S0541-B

DIN-Rail Accessories Industrial Power Relay RT (Continued)

Technical data (continued) RT78724/RT78726 RT78725

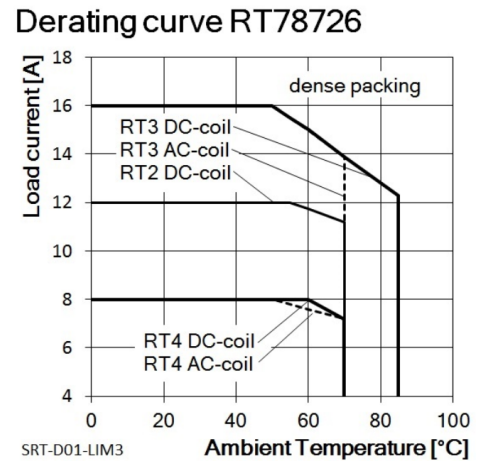
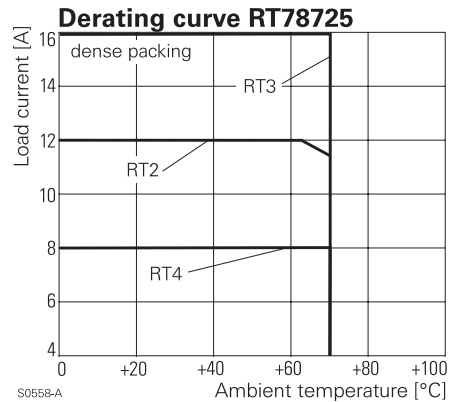
| | |
|---|-------------------------|
| Ambient temperature range for mounting/handling | -20...+70°C |
| in operation | -40...+70°C |
| Terminals | screw |
| Terminals screw torque acc. IEC 61984 | 0.5 Nm |
| max. | 0.7 Nm |
| Terminal Screw size | M3 |
| Wire strip length | 8 mm |
| Wire cross section | |
| single wire | 2 x 2.5 mm ² |
| fine wire | 2 x 2.5 mm ² |
| with bootlace crimp (DIN 46228/1) | 2 x 1.5 mm ² |
| Insertion cycles | A (10) |
| Max. Insertion Force total | 100 N |
| Mounting distance | ≥ 0, dense packing |
| Weight | 36 g |
| Packaging unit | 10 pcs |

Socket with screw-type terminals for DIN rail mounting

| Type | | Part Number |
|------------------|---|-------------|
| RT 78 724 | Socket with screw-type terminals, pinning 3.5 mm for DIN rail mounting, logical terminal arrangement | 8-1415035-1 |
| RT 78 726 | Socket with screw-type terminals, pinning 5 mm for DIN rail mounting, logical terminal arrangement | 6-1415035-1 |
| RT 78 725 | Socket with screw-type terminals, pinning 5 mm for DIN rail mounting, conventional terminal arrangement | 1860306-1 |

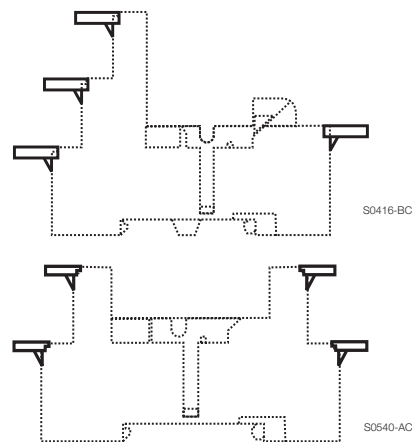
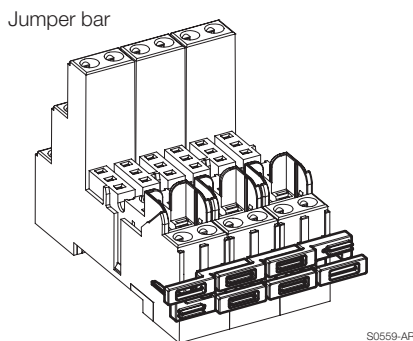
Accessories for RT 78 724, RT 78 725, RT 78 726

| Type | | Part Number |
|------------------|--|-------------|
| RT 17 017 | Plastic retaining clip, relay height 15.7 mm | 2022103-1 |
| RT 28 816 | Metal retaining clip, relay height 15.7 mm | 1415540-8 |
| RT 17 040 | Marking tag | 2-1415038-1 |
| RT 17 0R8 | Jumper bar, max load 12 A for connection of up to 8 RT sockets | 1860517-8 |



Marking tags

- White marking area 15.5 x 6 mm
- Snaps on socket in up to 4 positions

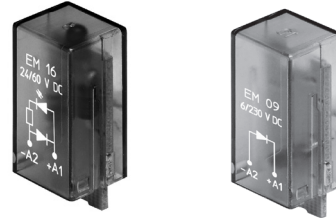


DIN-Rail Accessories Industrial Power Relay RT (Continued)

LED- and Protection Modules for RT 78 72P, RT 78 724, RT 78 725, RT 78 726

Easy insertion of module into the socket
Wiring in parallel to the coil

| Type | | | Part Number |
|-------------------|------|--|-------------|
| PTM TO 0A0 | EM09 | Protection diode (standard, A1+,A2-) | 9-1415036-1 |
| PTM TO 0L0 | EM01 | Protection diode (A1-, A2+) | 1415037-1 |
| PTM UO 524 | EM02 | RC-network 6...60 VAC | 1-1415037-1 |
| PTM UO 730 | EM03 | RC-network 110...230 VAC | 2-1415037-1 |
| PTM VO 524 | EM04 | Varistor 24 VAC | 3-1415037-1 |
| PTM VO 615 | EM13 | Varistor 115 VAC | 6-1415365-1 |
| PTM VO 730 | EM05 | Varistor 230 VAC | 4-1415037-1 |
| PTM DO 730 | EM31 | Residual current bypass RC 110...230 VAC | 1415037-2 |
| PTM RO 730 | EM29 | Residual current bypass resistor 110...230 VAC | 1-1415539-2 |



LED

| | | | |
|-------------------|------|--|-------------|
| PTM LO 024 | EM18 | red LED 6...24 VDC w. prot. diode (std, A1+, A2-) | 5-1415036-1 |
| PTM GO 024 | EM12 | green LED 6...24 VDC w. prot. diode (std, A1+, A2-) | 2-1415036-1 |
| PTM L1 024 | EM08 | red LED 6...24 VDC w. prot. diode (A1-, A2+) | 8-1415036-1 |
| PTM LO 060 | EM16 | red LED 24...60 VDC w. prot. diode (std, A1+, A2-) | 5-1415539-3 |
| PTM GO 060 | EM25 | green LED 24...60 VDC w. prot. diode (std, A1+, A2-) | 7-1415539-7 |
| PTM LO 110 | EM19 | red LED 60...110 VDC w. prot. diode (A1+, A2-) | 2-1415392-1 |
| PTM GO 110 | EM26 | green LED 60...110 VDC w. prot. diode (A1+, A2-) | 1-1415539-7 |
| PTM LO 220 | EM27 | red LED 110...220 VDC w. prot. diode (A1+, A2-) | 1-1415539-4 |
| PTM GO 220 | EM28 | green LED 110...220 VDC w. prot. diode (A1+, A2-) | 1-1415539-6 |
| PTM LO 524 | EM07 | red LED 6...24 VDC/VAC | 6-1415036-1 |
| PTM GO 524 | EM11 | green LED 6...24 VDC/VAC | 3-1415036-1 |
| PTM LO 560 | EM14 | red LED 24...60 VDC/VAC | 1-1415539-3 |
| PTM GO 560 | EM30 | green LED 24...60 VDC/VAC | 1-1415539-5 |
| PTM LO 730 | EM06 | red LED 110...230 VAC | 7-1415036-1 |
| PTM GO 730 | EM10 | green LED 110...230 VAC | 4-1415036-1 |

Relay Packages

Complete packages consisting of a relay mounted on a socket: see Relay Package RT

X-ON Electronics

Largest Supplier of Electrical and Electronic Components

Click to view similar products for [Relay Sockets & Fixings](#) category:

Click to view products by [TE Connectivity](#) manufacturer:

Other Similar products are found below :

[00008258500](#) [00111976502](#) [0000-825-81-00](#) [60SY4S05](#) [M41G](#) [670-0125](#) [670-0127](#) [6700152](#) [670-0153](#) [6700156](#) [D258-2TS00](#) [70-309](#) [7-1393143-3](#) [7-1616360-5](#) [8000-DG2-5](#) [911361](#) [9-1616339-5](#) [PJF11N](#) [GDA12HA](#) [GDA12HD](#) [GDA12SA](#) [GDA12SD](#) [GDA16HD](#) [GDA22HA](#) [GDA95A](#) [GDA95D](#) [GFX20](#) [PT08QN](#) [PT 1/8 D = 3.2](#) [GUA1](#) [GUA2-11](#) [GUA4-31](#) [GUM5R](#) [GUR-120](#) [GUR-24](#) [GUR-240](#) [GUR-277](#) [GURX-277](#) [GUW12](#) [GUW95](#) [GUZ63L](#) [R99-11 FOR MY\(NAMEPLATE\)](#) [D52PR2T](#) [RES100K](#) [1310H-HDC](#) [1390H-1ST](#) [1393824-3](#) [1390H-2PC](#) [1410-2SM](#) [1410-3SM](#)