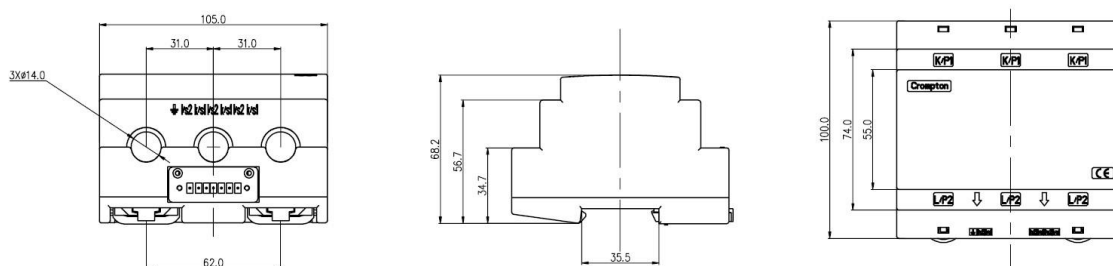




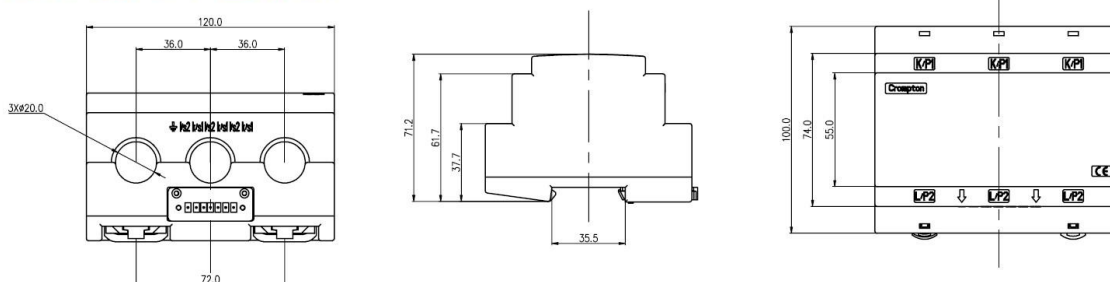
### 3 in 1 measuring current transformers – DIN-rail fixing

DR3N1-50/5A to DR3N1-250/5A Current transformers								
Series	MPN	Ratio	VA Kl. 3	VA Kl. 1	VA Kl. 0,5	Width	Inner dimensions	Cable length
DR3N1	DR3N1-50/5	50/5A	1,5	1	-	6 Module (TE)	13,5mm	1m
DR3N1	DR3N1-60/5	60/5A	1,5	1	-	6 Module (TE)	13,5mm	1m
DR3N1	DR3N1-75/5	75/5A	2	1,5	-	6 Module (TE)	13,5mm	1m
DR3N1	DR3N1-80/5	80/5A	2,5	1,5	-	6 Module (TE)	13,5mm	1m
DR3N1	DR3N1-100/5	100/5A	3,75	3	2,5	6 Module (TE)	13,5mm	2m
DR3N1	DR3N1-125/5	125/5A	3,75	3	2,5	6 Module (TE)	13,5mm	2m
DR3N1	DR3N1-150/5	150/5A	5	3,75	2,5	6 Module (TE)	13,5mm	2m
DR3N1	DR3N1-160/5	160/5A	3,75	2,5	1,5	7 Module (TE)	21mm	2m
DR3N1	DR3N1-180/5	180/5A	3,75	3	2,5	7 Module (TE)	21mm	2m
DR3N1	DR3N1-200/5	200/5A	5	3,75	2,5	7 Module (TE)	21mm	2m
DR3N1	DR3N1-250/5	250/5A	6,25	5	3,75	7 Module (TE)	21mm	2m

#### DR3N1-50/5A - 150/5A



#### DR3N1-160/5A - 250/5A





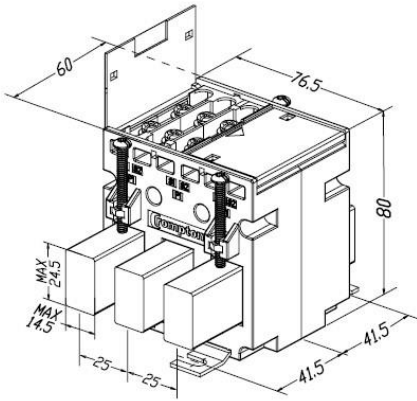
### 3 in 1 measuring current transformers



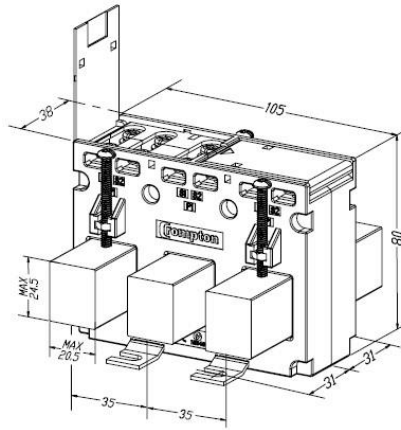
M3N1-25/35/45 60/5A to 630/5A current transformers							
Series	MPN	Ratio	VA Kl. 3	VA Kl. 1	VA Kl. 0,5	Center Distance	Inner dimensions
M3N1	M3N1-25-60/5	60/5A	2	1	-	25mm	3 x 14,5mm x 24,5mm
M3N1	M3N1-25-100/5	100/5A	2,5	1,5	-	25mm	3 x 14,5mm x 24,5mm
M3N1	M3N1-25-125/5	125/5A	2,5	1,5	-	25mm	3 x 14,5mm x 24,5mm
M3N1	M3N1-25-150/5	150/5A	2,5	1,5	1,5	25mm	3 x 14,5mm x 24,5mm
M3N1	M3N1-25-160/5	160/5A	2,5	1,5	1,5	25mm	3 x 14,5mm x 24,5mm
M3N1	M3N1-35-100/5	100/5A	2	1,5	-	35mm	3 x 20,5mm x 24,5mm
M3N1	M3N1-35-125/5	125/5A	2,5	1,5	-	35mm	3 x 20,5mm x 24,5mm
M3N1	M3N1-35-150/5	150/5A	2,5	1,5	-	35mm	3 x 20,5mm x 24,5mm
M3N1	M3N1-35-160/5	160/5A	2,5	1,5	1,5	35mm	3 x 20,5mm x 24,5mm
M3N1	M3N1-35-200/5	200/5A	2,5	1,5	1,5	35mm	3 x 20,5mm x 24,5mm
M3N1	M3N1-35-250/5	250/5A	2,5	1,5	1,5	35mm	3 x 20,5mm x 24,5mm
M3N1	M3N1-45-250/5	250/5A	2,5	1,5	1,5	45mm	3 x 30,5mm x 30,5mm
M3N1	M3N1-45-300/5	300/5A	3,75	2,5	2,5	45mm	3 x 30,5mm x 30,5mm
M3N1	M3N1-45-400/5	400/5A	3,75	2,5	2,5	45mm	3 x 30,5mm x 30,5mm
M3N1	M3N1-45-500/5	500/5A	3,75	2,5	2,5	45mm	3 x 30,5mm x 30,5mm
M3N1	M3N1-45-600/5	600/5A	3,75	2,5	2,5	45mm	3 x 30,5mm x 30,5mm
M3N1	M3N1-45-630/5	630/5A	3,75	2,5	2,5	45mm	3 x 30,5mm x 30,5mm



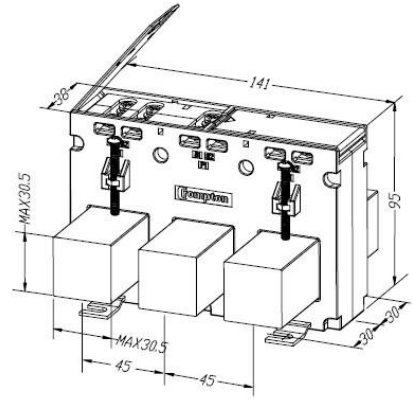
M3N1-25



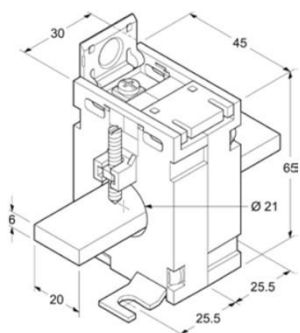
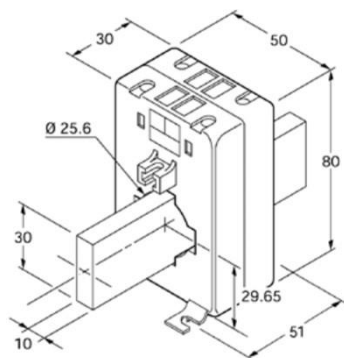
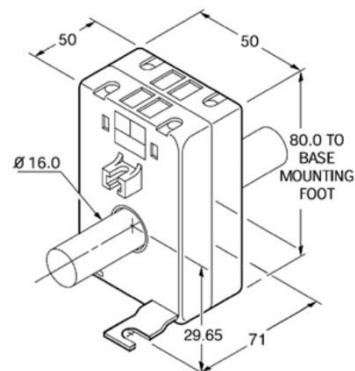
M3N1-35



M3N1-45



<b>M53Q Current Transformers single pole, Ø 21mm, Busbar 20x6mm</b>							
Series	MPN	Ratio	MPN	Ratio	VA Kl. 3	VA Kl. 1	VA Kl. 0.5
M53Q	M53Q-50/5	50/5A	M53Q-50/1	50/1A	1	-	-
M53Q	M53Q-60/5	60/5A	M53Q-60/1	60/1A	1,25	-	-
M53Q	M53Q-75/5	75/5A	M53Q-75/1	75/1A	1,5	-	-
M53Q	M53Q-80/5	80/5A	M53Q-80/1	80/1A	1,25	-	-
M53Q	M53Q-100/5	100/5A	M53Q-100/1	100/1A	2,5	1,5	-
M53Q	M53Q-125/5	125/5A	M53Q-125/1	125/1A	3	2,5	-
M53Q	M53Q-150/5	150/5A	M53Q-150/1	150/1A	3,75	2,5	-
M53Q	M53Q-200/5	200/5A	M53Q-200/1	200/1A	5	3,75	-
M53Q	M53Q-250/5	250/5A	M53Q-250/1	250/1A	-	5	-
M53Q	M53Q-300/5	300/5A	M53Q-300/1	300/1A	7,5	5	-
<b>M55E Current Transformers single pole, Ø 16mm, Busbar 15x5mm</b>							
Series	MPN	Ratio	MPN	Ratio	VA Kl. 3	VA Kl. 1	VA Kl. 0.5
M55E	M55E-30/5	30/5A	-	30/1A	1,25	-	-
M55E	M55E-40/5	40/5A	-	40/1A	2,5	-	-
M55E	M55E-50/5	50/5A	M55E-50/1	50/1A	2,5	-	-
M55E	M55E-60/5	60/5A	M55E-60/1	60/1A	3,75	2,5	-
M55E	M55E-75/5	75/5A	M55E-75/1	75/1A	5	3,75	-
M55E	M55E-80/5	80/5A	M55E-80/1	80/1A	5	3,75	-
M55E	M55E-100/5	100/5A	M55E-100/1	100/1A	7,5	5	-
<b>M53J Current Transformers single pole, Ø 25mm, Busbar 30x10, 25x15 &amp; 20x6mm</b>							
Series	MPN	Ratio	MPN	Ratio	VA Kl. 3	VA Kl. 1	VA Kl. 0.5
M53J	M53J-100/5	100/5A	M53J-100/1	100/1A	1,25	-	-
M53J	M53J-125/5	125/5A	M53J-125/1	125/1A	1,25	-	-
M53J	M53J-150/5	150/5A	M53J-150/1	150/1	2,5	-	-
M53J	M53J-160/5	160/5A	M53J-160/1	160/1A	2,5	-	-
M53J	M53J-200/5	200/5A	M53J-200/1	200/1A	2,5	2,5	-
M53J	M53J-250/5	250/5A	M53J-250/1	250/1A	3,75	2,5	-
M53J	M53J-300/5	300/5A	M53J-300/1	300/1A	5	3,75	-
M53J	M53J-400/5	400/5A	M53J-400/1	400/1A	7,5	3,75	-

**M53Q**

**M53J**

**M55E**


M65F Current Transformers single pole, Ø 23mm, Busbar 20x10mm							
Series	MPN	Ratio	MPN	Ratio	VA Kl. 3	VA Kl. 1	VA Kl. 0.5
M65F	M65F-30/5	30/5A	-	-	1,25	-	-
M65F	M65F-40/5	40/5A	M65F-40/1	40/1A	2,5	-	-
M65F	M65F-50/5	50/5A	M65F-50/1	50/1A	2,5	-	-
M65F	M65F-60/5	60/5A	M65F-60/1	60/1A	3,75	-	-
M65F	M65F-75/5	75/5A	M65F-75/1	75/1A	5	2,5	-
M65F	M65F-80/5	80/5A	M65F-80/1	80/1A	5	2,5	-
M65F	M65F-100/5	100/5A	M65F-100/1	100/1A	7,5	5	2,5
M65F	M65F-125/5	125/5A	M65F-125/1	125/1A	7,5	5	2,5
M65F	M65F-150/5	150/5A	M65F-150/1	150/1A	15	10	5
M65F	M65F-200/5	200/5A	M65F-200/1	200/1A	20	15	7,5
M65F	M65F-250/5	250/5A	M65F-250/1	250/1A	20	20	10
M65F	M65F-300/5	300/5A	M65F-300/1	300/1A	30	30	10
M63N Current Transformers single pole, Ø 32mm, Busbar 40x10mm							
Series	MPN	Ratio	MPN	Ratio	VA Kl. 3	VA Kl. 1	VA Kl. 0.5
M63N	M63N-200/5	200/5	M63N-200/1	200/1	2,5	-	-
M63N	M63N-250/5	250/5	M63N-250/1	250/1	3,75	2,5	-
M63N	M63N-300/5	300/5	M63N-300/1	300/1	5	3,75	-
M63N	M63N-400/5	400/5	M63N-400/1	400/1	7,5	5	-
M63N	M63N-500/5	500/5	M63N-500/1	500/1	10	7,5	3,75
M63N	M63N-600/5	600/5	M63N-600/1	600/1	10	7,5	5
M63N	M63N-750/5	750/5	M63N-750/1	750/1	15	10	7,5
M63N	M63N-800/5	800/5	M63N-800/1	800/1	15	10	7,5

### MA5G Current Transformers single pole, Ø 36mm, Busbar 40x10 & 30x30mm

Series	MPN	Ratio	MPN	Ratio	VA Kl. 3	VA Kl. 1	VA Kl. 0.5
MA5G	MA5G-100/5	100/5A	MA5G-100/1	100/1A	2,5	-	-
MA5G	MA5G-125/5	125/5A	MA5G-125/1	125/1A	5	2,5	-
MA5G	MA5G-150/5	150/5A	MA5G-150/1	150/1A	5	3,75	-
MA5G	MA5G-200/5	200/5A	MA5G-200/1	200/1A	10	5	2,5
MA5G	MA5G-250/5	250/5A	MA5G-250/1	250/1A	10	7,5	5
MA5G	MA5G-300/5	300/5A	MA5G-300/1	300/1A	10	7,5	5
MA5G	MA5G-400/5	400/5A	MA5G-400/1	400/1A	10	7,5	5
MA5G	MA5G-500/5	500/5A	MA5G-500/1	500/1A	10	7,5	5
MA5G	MA5G-600/5	600/5A	MA5G-600/1	600/1A	10	10	7,5
MA5G	MA5G-750/5	750/5A	MA5G-750/1	750/1A	15	10	10
MA5G	MA5G-800/5	800/5A	MA5G-800/1	800/1A	15	10	10
MA5G	MA5G-1000/5	1000/5A	MA5G-1000/1	1000/1A	20	15	15

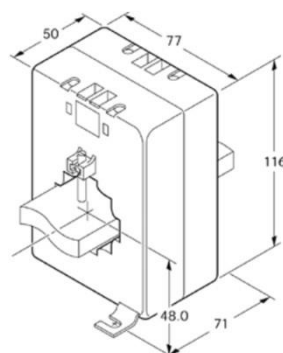
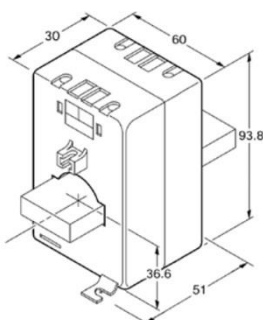
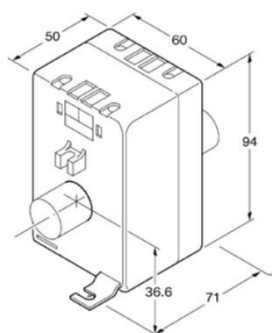
**M65F**
**M63N**
**MA5G**

### MA5Y Current Transformers single pole, Primärwicklung, Anschlusschraube M8

Series	MPN	Ratio	MPN	Ratio	VA Kl. 3	VA Kl. 1	VA Kl. 0.5
MA5Y	MA5Y-1/5	1/5A	MA5Y-1/1	1/1A	7,5	5	-
MA5Y	MA5Y-5/5	5/5A	MA5Y-5/1	5/1A	7,5	5	-
MA5Y	MA5Y-10/5	10/5A	MA5Y-10/1	10/1A	7,5	5	-
MA5Y	MA5Y-15/5	15/5A	MA5Y-15/1	15/1A	7,5	5	-
MA5Y	MA5Y-20/5	20/5A	MA5Y-20/1	20/1A	7,5	5	-
MA5Y	MA5Y-30/5	30/5A	MA5Y-30/1	30/1A	7,5	5	-
MA5Y	MA5Y-40/5	40/5A	MA5Y-40/1	40/1A	7,5	5	-

### M93L Current Transformers single pole, Ø 42mm, Busbar 50x10 & 40x30mm

Series	MPN	Ratio	MPN	Ratio	VA Kl. 3	VA Kl. 1	VA Kl. 0.5
M93L	M93L-400/5	400/5A	M93L-400/1	400/1A	15	7,5	3,75
M93L	M93L-500/5	500/5A	M93L-500/1	500/1A	20	15	5
M93L	M93L-600/5	600/5A	M93L-600/1	600/1A	30	20	10
M93L	M93L-750/5	750/5A	M93L-750/1	750/1A	20	15	7,5
M93L	M93L-800/5	800/5A	M93L-800/1	800/1A	20	15	10
M93L	M93L-1000/5	1000/5A	M93L-1000/1	1000/1A	20	20	15



M93L	M93L-1200/5	1200/5A	M93L-1200/1	1200/1A	30	30	20
M93L	M93L-1250/5	1250/5A	M93L-1250/1	1250/1A	30	30	20
M93L	M93L-1500/5	1500/5A	M93L-1500/1	1500/1A	30	30	20
M93L	M93L-1600/5	1600/5A	M93L-1600/1	1600/1A	30	30	20

**M93R Current Transformers single pole, Busbar 64x12,6 & 60x30mm**

Series	MPN	Ratio	MPN	Ratio	VA Kl. 3	VA Kl. 1	VA Kl. 0.5
M93R	M93R-800/5	800/5A	M93R-800/1	800/1A	10	10	5
M93R	M93R-1000/5	1000/5A	M93R-1000/1	1000/1A	15	10	7,5
M93R	M93R-1200/5	1200/5A	M93R-1200/1	1200/1A	20	15	10
M93R	M93R-1250/5	1250/5A	M93R-1250/1	1250/1A	20	15	10
M93R	M93R-1500/5	1500/5A	M93R-1500/1	1500/1A	20	20	15
M93R	M93R-1600/5	1600/5A	M93R-1600/1	1600/1A	30	20	15
M93R	M93R-2000/5	2000/5A	M93R-2000/1	2000/1A	30	20	15

**M93S Current Transformers single pole, Busbar 64x12,6 & 60x30mm**

Series	MPN	Ratio	MPN	Ratio	VA Kl. 3	VA Kl. 1	VA Kl. 0.5
M93S	M93S-800/5	800/5A	M93S-800/1	800/1A	10	10	5
M93S	M93S-1000/5	1000/5A	M93S-1000/1	1000/1A	15	10	7,5
M93S	M93S-1200/5	1200/5A	M93S-1200/1	1200/1A	20	15	10
M93S	M93S-1250/5	1250/5A	M93S-1250/1	1250/1A	20	15	10
M93S	M93S-1500/5	1500/5A	M93S-1500/1	1500/1A	20	20	15
M93S	M93S-1600/5	1600/5A	M93S-1600/1	1600/1A	30	20	15
M93S	M93S-2000/5	2000/5A	M93S-2000/1	2000/1A	30	20	15

**MA5Y**

**M93L**

**M93R**

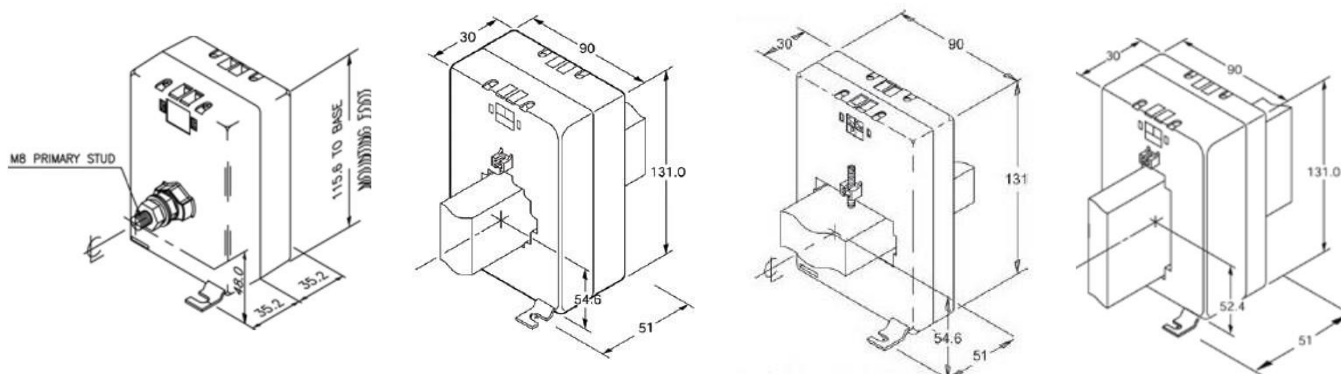
**M93S**

**S95P & S97P Stromwandler Summenstromwandler, Schraubanschluss**

Series	MPN	Ratio	MPN	Ratio	VA Kl. 3	VA Kl. 1	VA Kl. 0.5
S95P	S95P-5/5	5+5=5A	-	-	-	5	-
S95P	S95P-5/5/5	5+5+5=5A	-	-	-	5	-
S97P	S97P-5/5/5/5	5+5+5+5=5A	-	-	-	5	-
S97P	S97P-5/5/5/5/5	5+5+5+5+5=5A	-	-	-	5	-
S97P	S97P-5/5/5/5/5/5	5+5+5+5+5+5=5A	-	-	-	5	-

**MB5D Current Transformers single pole, Ø 63mm, Busbar 80x30, 60x30 & 50x50mm**

Series	MPN	Ratio	MPN	Ratio	VA Kl. 3	VA Kl. 1	VA Kl. 0.5
--------	-----	-------	-----	-------	----------	----------	------------

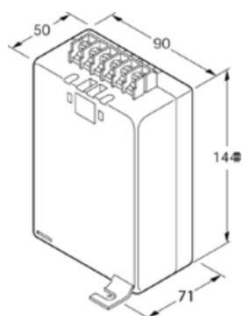


MB5D	MB5D-400/5	400/5A	MB5D-400/1	400/1A	15	10	7,5
MB5D	MB5D-500/5	500/5A	MB5D-500/1	500/1A	20	15	10
MB5D	MB5D-600/5	600/5A	MB5D-600/1	600/1A	15	10	5
MB5D	MB5D-750/5	750/5A	MB5D-750/1	750/1A	15	10	5
MB5D	MB5D-800/5	800/5A	MB5D-800/1	800/1A	20	15	7,5
MB5D	MB5D-1000/5	1000/5A	MB5D-1000/1	1000/1A	22,5	20	10
MB5D	MB5D-1200/5	1200/5A	MB5D-1200/1	1200/1A	30	20	15
MB5D	MB5D-1250/5	1250/5A	MB5D-1250/1	1250/1A	30	20	15
MB5D	MB5D-1500/5	1500/5A	MB5D-1500/1	1500/1A	30	20	15
MB5D	MB5D-1600/5	1600/5A	MB5D-1600/1	1600/1A	40	30	20
MB5D	MB5D-2000/5	2000/5A	MB5D-2000/1	2000/1A	50	40	30

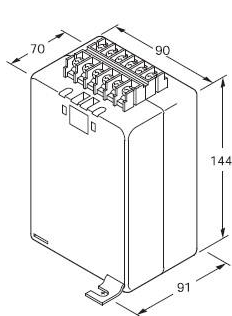
**MB5Z Current Transformers single pole, Ø 35mm, Busbar 104 x 35mm**

Series	MPN	Ratio	MPN	Ratio	VA Kl. 3	VA Kl. 1	VA Kl. 0.5
MB5Z	MB5Z-750/5	750/5A	MB5Z-750/1	750/1A	15	7,5	2,5
MB5Z	MB5Z-800/5	800/5A	MB5Z-800/1	800/1A	20	10	2,5
MB5Z	MB5Z-1000/5	1000/5A	MB5Z-1000/1	1000/1A	22,5	15	7,5
MB5Z	MB5Z-1200/5	1200/5A	MB5Z-1200/1	1200/1A	30	20	10
MB5Z	MB5Z-1250/5	1250/5A	MB5Z-1250/1	1250/1A	30	20	15
MB5Z	MB5Z-1500/5	1500/5A	MB5Z-1500/1	1500/1A	30	20	15
MB5Z	MB5Z-1600/5	1600/5A	MB5Z-1600/1	1600/1A	30	20	15
MB5Z	MB5Z-2000/5	2000/5A	MB5Z-2000/1	2000/1A	30	20	15
MB5Z	MB5Z-2400/5	2400/5A	MB5Z-2400/1	2400/1A	30	20	15
MB5Z	MB5Z-2500/5	2500/5A	MB5Z-2500/1	2500/1A	30	20	15
MB5Z	MB5Z-3000/5	3000/5A	MB5Z-3000/1	3000/1A	30	20	15
MB5Z	MB5Z-4000/5	4000/5A	MB5Z-4000/1	4000/1A	30	20	15

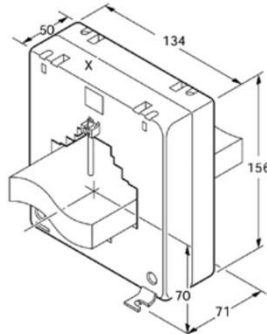
**S95P**



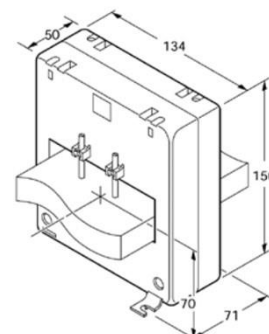
**S97P**



**MB5D**



**MB5Z**





MC5T Current Transformers single pole, Busbar 50x160mm							
Series	MPN	Ratio	MPN	Ratio	VA Kl. 3	VA Kl. 1	VA Kl. 0.5
MC5T	MC5T-1600/5	1600/5A	MC5T-1600/5	1600/1A	45	30	20
MC5T	MC5T-2000/5	2000/5A	MC5T-2000/5	2000/1A	45	30	20
MC5T	MC5T-2500/5	2500/5A	MC5T-2500/5	2500/1A	60	45	30
MC5T	MC5T-3000/5	3000/5A	MC5T-3000/5	3000/1A	60	45	30
MC5T	MC5T-3200/5	3200/5A	MC5T-3200/5	3200/1A	60	45	30
MC5T	MC5T-4000/5	4000/5A	MC5T-4000/5	4000/1A	60	45	30
MC5T	MC5T-5000/5	5000/5A	-	-	60	45	30
MC5T	MC5T-6000/5	6000/5A	-	-	60	45	30

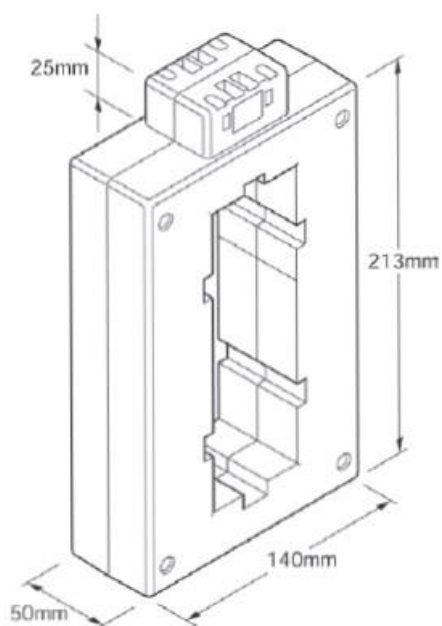
  

MD5T Current Transformers single pole, Busbar 160x50mm							
Series	MPN	Ratio	MPN	Ratio	VA Kl. 3	VA Kl. 1	VA Kl. 0.5
MD5T	MD5T-1600/5	1600/5A	MD5T-1600/5	750/1A	45	30	20
MD5T	MD5T-2000/5	2000/5A	MD5T-2000/5	800/1A	45	30	20
MD5T	MD5T-2500/5	2500/5A	MD5T-2500/5	1000/1A	60	45	30
MD5T	MD5T-3000/5	3000/5A	MD5T-3000/5	1200/1A	60	45	30
MD5T	MD5T-3200/5	3200/5A	MD5T-3200/5	1250/1A	60	45	30
MD5T	MD5T-4000/5	4000/5A	MD5T-4000/5	1500/1A	60	45	30
MD5T	MD5T-5000/5	5000/5A	-	1600/1A	60	45	30
MD5T	MD5T-6000/5	6000/5A	-	2000/1A	60	45	30

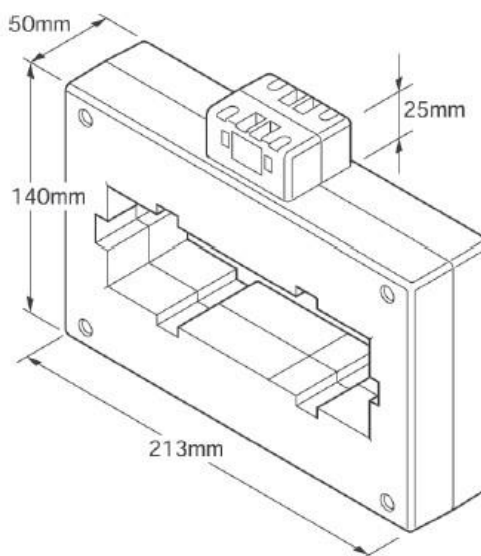
  

Accessories for „M“ type current transformers			
Description	Fur use with	VE	Product code.
DIN-Rail fixing clip 30mm	M53Q, M53J, M63N, M93L, M93R, M93S	2 pieces	M30-DINCLIP
DIN-Rail fixing clip 50mm	M55E, M65F, MA5G, MA5Y, S95P	2 pieces	M50-DINCLIP

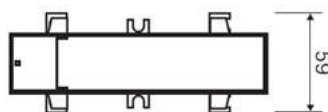
**MC5T**



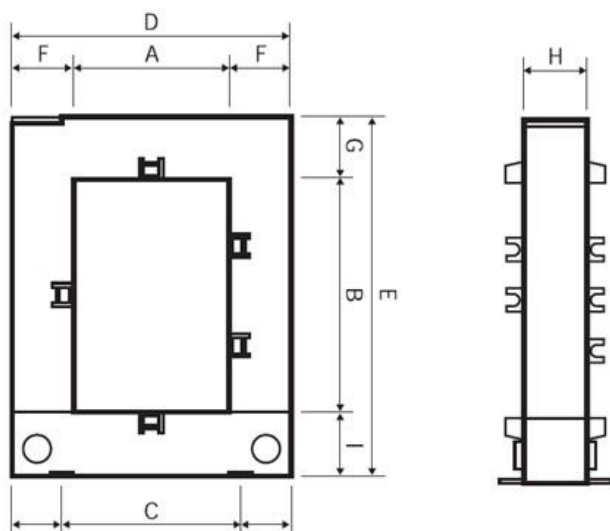
**MD5T**



## Split core measuring current transformers



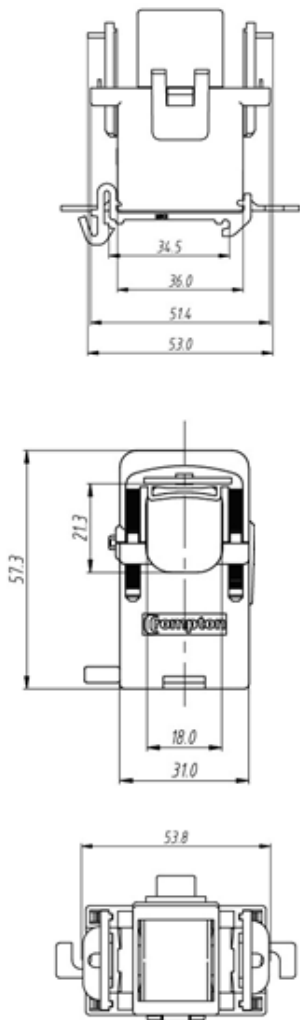
SC Current Transformers single pole, see table for dimensions														
MPN	Ratio	VA Kl. 3	VA Kl. 1	VA Kl. 0.5	A	B	C	D	E	F	G	H	I	kg
SC1-100/5A	100/5A	1,5	-	-	20	30	51	89	111	34	47	40	32	0,75
SC1-150/5A	150/5A	2	-	-	20	30	51	89	111	34	47	40	32	0,75
SC1-200/5A	200/5A	2,5	1,5	-	20	30	51	89	111	34	47	40	32	0,75
SC1-250/5A	250/5A	4	2	-	20	30	51	89	111	34	47	40	32	0,75
SC1-300/5A	300/5A	6	4	1,5	20	30	51	89	111	34	47	40	32	0,75
SC1-400/5A	400/5A	10	6	2,5	20	30	51	89	111	34	47	40	32	0,75
SC2-250/5A	250/5A	4	2	1	50	80	78	114	145	32	32	32	33	0,9
SC2-300/5A	300/5A	6	3	1,5	50	80	78	114	145	32	32	32	33	0,9
SC2-400/5A	400/5A	10	3	1,5	50	80	78	114	145	32	32	32	33	0,9
SC2-500/5A	500/5A	15	5	2,5	50	80	78	114	145	32	32	32	33	0,9
SC2-600/5A	600/5A	15	5	2,5	50	80	78	114	145	32	32	32	33	0,9
SC2-750/5A	750/5A	20	6	3	50	80	78	114	145	32	32	32	33	0,9
SC2-800/5A	800/5A	20	7,5	3	50	80	78	114	145	32	32	32	33	0,9
SC2-1000/5A	1000/5A	20	10	5	50	80	78	114	145	32	32	32	33	0,9
SC3-250/5A	250/5A	4	2	1	80	80	108	144	145	32	32	32	33	1,05
SC3-300/5A	300/5A	6	3	1,5	80	80	108	144	145	32	32	32	33	1,05
SC3-400/5A	400/5A	10	3	1,5	80	80	108	144	145	32	32	32	33	1,05
SC3-500/5A	500/5A	15	5	2,5	80	80	108	144	145	32	32	32	33	1,05
SC3-600/5A	600/5A	15	5	2,5	80	80	108	144	145	32	32	32	33	1,05
SC3-750/5A	750/5A	20	6	3	80	80	108	144	145	32	32	32	33	1,05
SC3-800/5A	800/5A	20	7,5	3	80	80	108	144	145	32	32	32	33	1,05
SC3-1000/5A	1000/5A	20	10	5	80	80	108	144	145	32	32	32	33	1,05
SC4-500/5A	500/5A	12,5	4	-	80	120	108	144	185	32	32	32	33	1,25
SC4-600/5A	600/5A	15	5	-	80	120	108	144	185	32	32	32	33	1,25
SC4-750/5A	750/5A	17,5	6	2,5	80	120	108	144	185	32	32	32	33	1,25
SC4-800/5A	800/5A	20	7,5	3	80	120	108	144	185	32	32	32	33	1,25
SC4-1000/5A	1000/5A	20	10	5	80	120	108	144	185	32	32	32	33	1,25
SC4-1200/5A	1200/5A	25	12,5	6	80	120	108	144	185	32	32	32	33	1,25
SC4-1250/5A	1250/5A	30	15	7,5	80	120	108	144	185	32	32	32	33	1,25
SC4-1500/5A	1500/5A	30	17	8	80	120	108	144	185	32	32	32	33	1,25
SC4-1600/5A	1600/5A	30	17	8	80	120	108	144	185	32	32	32	33	1,25
SC5-1000/5A	1000/5A	20	15	10	80	160	120	184	245	52	52	52	38	4,3
SC5-1250/5A	1250/5A	20	15	10	80	160	120	184	245	52	52	52	38	4,3
SC5-1500/5A	1500/5A	25	20	15	80	160	120	184	245	52	52	52	38	4,3
SC5-2000/5A	2000/5A	25	20	15	80	160	120	184	245	52	52	52	38	4,3
SC5-2500/5A	2500/5A	25	20	15	80	160	120	184	245	52	52	52	38	4,3
SC5-3000/5A	3000/5A	30	25	20	80	160	120	184	245	52	52	52	38	4,3
SC5-4000/5A	4000/5A	30	25	20	80	160	120	184	245	52	52	52	38	4,3
SC5-5000/5A	5000/5A	30	25	20	80	160	120	184	245	52	52	52	38	4,3
SC5-6000/5A	6000/5A	30	25	20	80	160	120	184	245	52	52	52	38	4,3



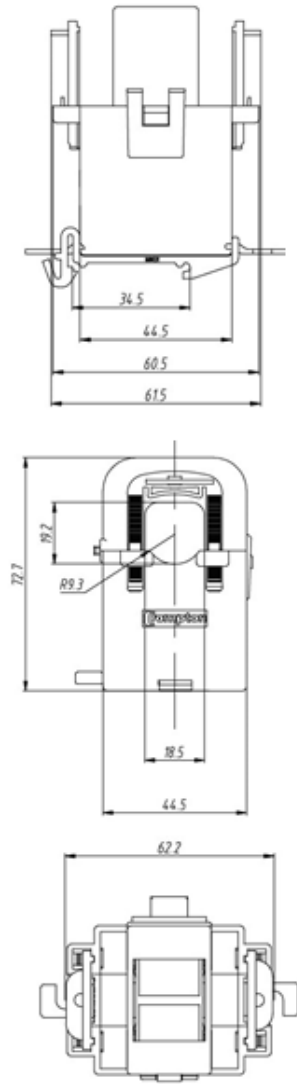
### Miniature split core measuring current transformers

MSC current transformers, single pole, with shorting link and connection cable						
MPN	Ratio	Id (mm)	VA Kl. 3	VA Kl. 1	Cable length (m)	Cable coding
MSC1-60/1	60/1A	18	0,1	-	3	S1 = White, S2 = Black
MSC1-75/1	75/1A	18	0,1	-	3	S1 = White, S2 = Black
MSC1-80/1	80/1A	18	0,15	-	3	S1 = White, S2 = Black
MSC1-100/1	100/1A	18	-	0,2	3	S1 = White, S2 = Black
MSC2-100/1A	100/1A	18	-	1	3	S1 = White, S2 = Black
MSC2-100/5A	100/5A	18	-	1	1	S1 = White, S2 = Black
MSC2-150/1A	150/1A	18	-	1	3	S1 = White, S2 = Black
MSC2-150/5A	150/5A	18	-	1	1	S1 = White, S2 = Black
MSC2-200/1A	200/1A	18	-	1	3	S1 = White, S2 = Black
MSC2-200/5A	200/5A	18	-	1	1	S1 = White, S2 = Black
MSC2-250/1A	250/1A	18	-	1	3	S1 = White, S2 = Black
MSC2-250/5A	250/5A	18	-	1	1	S1 = White, S2 = Black
MSC3-300/1A	300/1A	28	-	1,5	3	S1 = White, S2 = Black
MSC3-300/5A	300/5A	28	-	1,5	1	S1 = White, S2 = Black
MSC3-400/1A	400/1A	28	-	2,5	3	S1 = White, S2 = Black
MSC3-400/5A	400/5A	28	-	2,5	1	S1 = White, S2 = Black
MSC3-500/1A	500/1A	28	-	2,5	3	S1 = White, S2 = Black
MSC3-500/5A	500/5A	28	-	2,5	1	S1 = White, S2 = Black

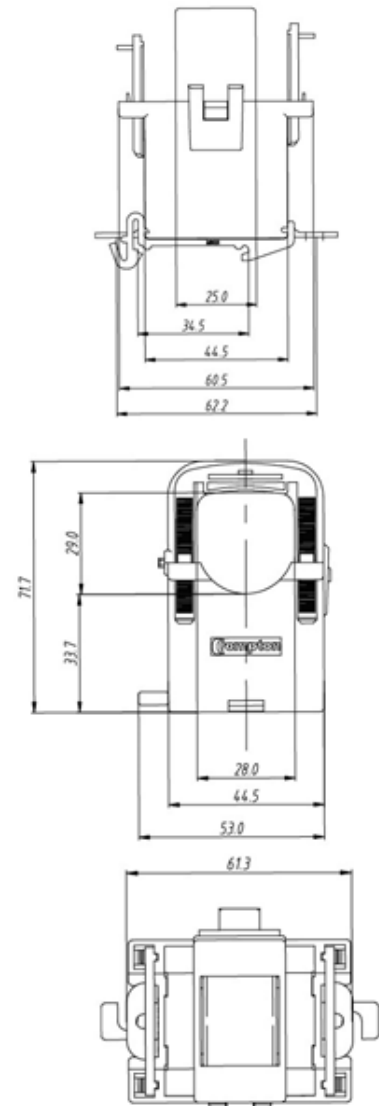
MSC1



MSC2



MSC3



## Overview additional current transformers

We offer the full range of TE Connectivity – Crompton Instruments current transformers.  
If you miss a current transformer for your dedicated application, we will be glad to assist.

Overview additional current transformers from Sifam Tinsley instrumentation

**3 in 1 current transformers with RJ45 connection**

- different versions
- 60 to 800A nominal current
- Output 100mA



**3 in 1 current transformers with plug in connector**

- different versions
- 60 to 800A nominal current
- Output 5A



**Ring type current transformers**

- several versions
- 40 to 4000A nominal current



**Current transformers with accuracy 0,2s**

- several versions
- 5 to 5000A nominal current



**Current- and voltage transformers with ANSI spec.**

- several versions
- 50 to 4000A nominal current
- wide range of nominal voltages
- CTs for metering and relaying



## Low Voltage Current Transformers

General functionality , features and specification

General

Low Voltage Current Transformers are used to transfer high primary currents into a low level secondary current, which can be easily used in measuring applications. The relation between the input primary current and the output secondary current gives always a proportional signal.

### **Usage**

For use with analogue indicators, digital metering systems, transducers, measuring relays and other components that accept an AC input signal.

### **Anwendbare Normen**

IEC/EN 60044-1, EN61010-1, UL Listung (Ebony Series) with file no. 257877

### **Case and enviromental conditions**

Self-extinguishing polycarbonate in accordance to UL94V-0.

Operating temperature: -20°C to +85°C (MSC, SC Series -20°C to +70°C)

Degree of protection : IP20 (terminals), IP40 (Case)

For indoor use

Insulation class: E, to IEC85, BS2757

Relative humidity: 0-90%, none condensing

### **Electrical specification**

System voltage: max. 720V AC

Nominal frequency: 50/60Hz

Primäry current: See product specification

Secondary current: 5A or 1A

Tes voltage: 3KV 50Hz for 1 minute.

Nomninal burden and class index: See product specification

Connection: See product specification

Saturation coefficient: <5 (<10 for primay wound CTs)

### **Accuracy classes and typical usage**

Class 0,2 and 0,2s: Laboratory use and network analyzers

Class 0,5 and 0,5s: Enregy Measurment

Class 1: Current and Power

meters Class 3: General usage

### **Overload:**

Permanent overload: 1,2 x In

Short time thermal overload (Ith): 60 x In (SC Series 100 x In for 1 Sekunde)

Short time dynamic overload (Idyn): 2,55 x Ith

## X-ON Electronics

Largest Supplier of Electrical and Electronic Components

*Click to view similar products for [Test Accessories](#) - [Oth category](#):*

*Click to view products by [TE Connectivity](#) [manufacturer](#):*

Other Similar products are found below :

[CX 02](#) [EXP 1003](#) [EXP 1030](#) [B3 150150AD0100M0](#) [B3 150200AD01A2M0](#) [B3 15025A0A0100M0](#) [2CSG122249R5011](#) [CX 01](#) [EXP 1012](#)  
[EXP 1013](#) [EXM1001](#) [EXP 1010](#) [B2 06010A0A0100M0](#) [B2 060160AA01A2M0](#) [B2 0601A00A0100M0](#) [B2 0601K00B0100M0](#) [B2](#)  
[060200AA01A2M0](#) [B2 060250AB0100M0](#) [B2 06030A0A01A1M0](#) [B2 06040A0A0100M0](#) [B2 0604A00A0100M0](#) [B2 060500AB01B2M0](#)  
[B2 0605A00A01A1M0](#) [B4 05050A0D01A2M0](#) [B5 075300AB01B1M0](#) [B6 1001K00B0100M0](#) [B6 100200AD01A2M0](#) [B6](#)  
[10020A0A01A1M0](#) [B6 10050A0D01A2M0](#) [DR3N1100/5A](#) [M3N160/5A25](#) [M53Q100/5A](#) [M53Q200/5A](#) [M63N200/1A](#) [M63N400/5A](#)  
[MA5Y10/5A](#) [MSC3-300/5](#) [SC1-250/5A](#)