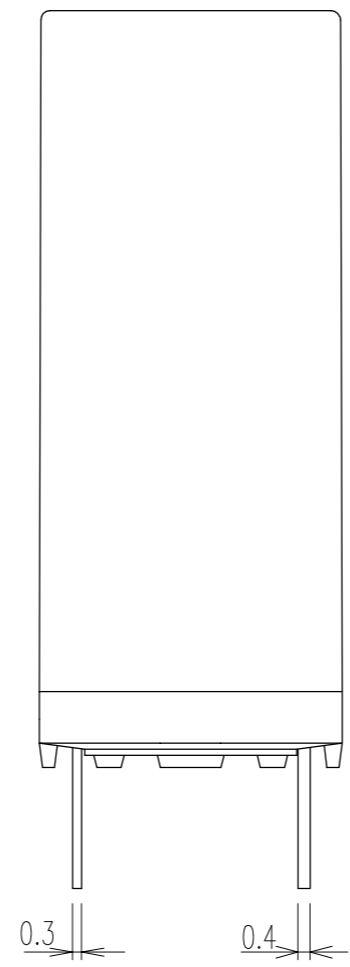
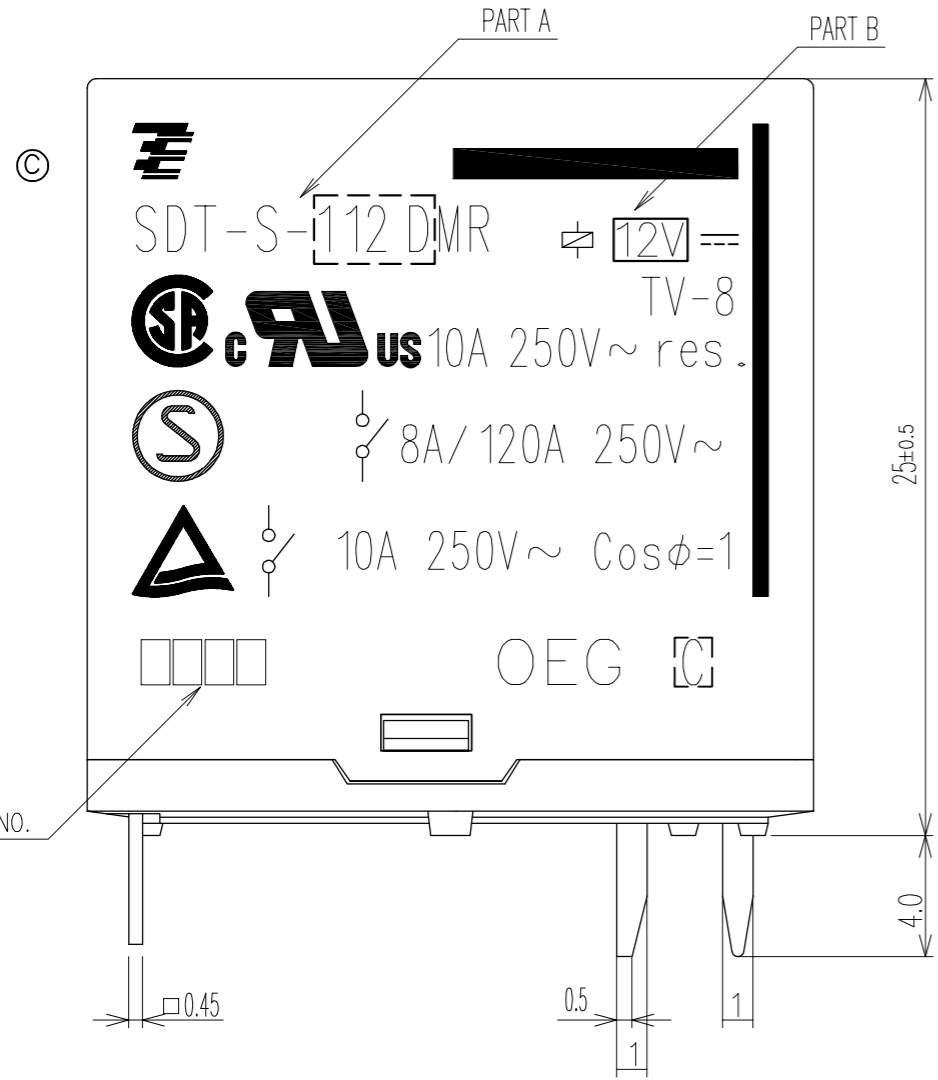


THIS DRAWING IS UNPUBLISHED. RELEASED FOR PUBLICATION
 © COPYRIGHT BY TYCO ELECTRONICS CORPORATION. ALL RIGHTS RESERVED.

LOC	HB	DIST	REVISIONS						
			P	LTR	DESCRIPTION	ECN	DATE	DWN	APVD
				B1	ADD P/N	ECO-06-011425	9-MAY-06	KY.DU	N.F
				C	CHANGE TE LOGO&DATE CODE	ECO-09-007869	14-SEP-09	HYS	YBH



NOTE
 1. LOT NO SYSTEM AS FOLLOWING:
 □□□□ WEEK
 □□ YEAR

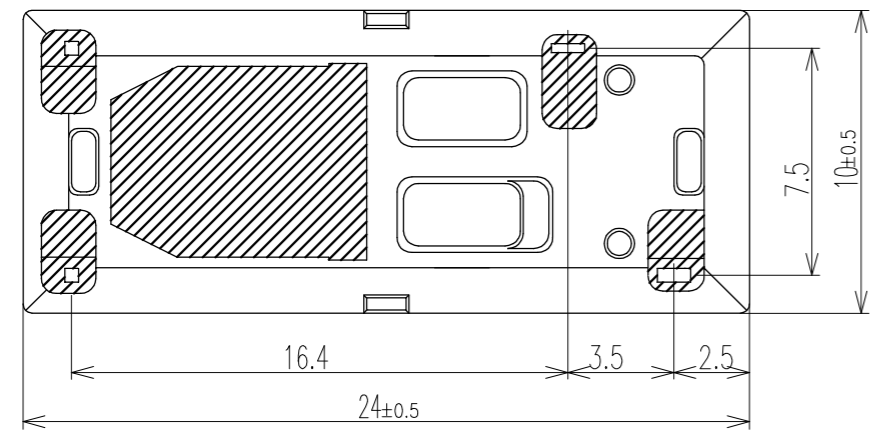
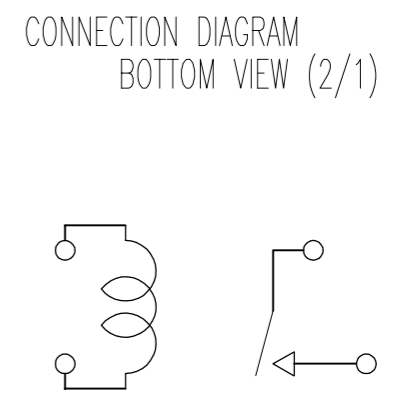
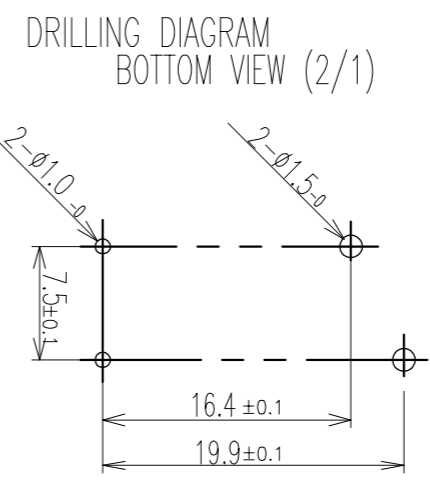


Diagram dimension	Tolerance
max. 1mm	±0.1mm
1 - 3mm	±0.2mm
min. 3mm	±0.3mm

THIS DRAWING IS A CONTROLLED DOCUMENT FOR TYCO ELECTRONICS CORPORATION. IT IS SUBJECT TO CHANGE AND THE CONTROLLING ENGINEERING ORGANIZATION SHOULD BE CONTACTED FOR THE LATEST REVISION.		DWN	H.Sasaki	Tyco Electronics Corporation Shenzhen, China		
DIMENSIONS: mm		CHK	Y.Oikawa			
TOLERANCES UNLESS OTHERWISE SPECIFIED:		APVD	A.Nagai	NAME		
0 PLC	±	PRODUCT SPEC		SDT-DMR SPEC,601		
1 PLC	±	APPLICATION SPEC		SIZE	CAGE CODE	DRAWING NO
2 PLC	±			A3	00779	1461056-2
3 PLC	±			RESTRICTED TO		
4 PLC	±					
ANGLES	±					
MATERIAL	FINISH	WEIGHT				
CUSTOMER DRAWING				SCALE	4:1	SHEET 1 OF 2
						REV c

THIS DRAWING IS UNPUBLISHED.

RELEASED FOR PUBLICATION

© COPYRIGHT

BY TYCO ELECTRONICS CORPORATION. ALL RIGHTS RESERVED.

LOC
HB

DIST


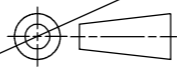
REVISIONS

P	LTR	DESCRIPTION	ECN	DATE	DWN	APVD

SDT-S-118DMR,601	1461056-9	18V	SDT-S-118DMR	h
SDT-S-148DMR,601	1461056-8	48V	SDT-S-148DMR	g
SDT-S-124DMR,601	1461056-7	24V	SDT-S-124DMR	f
SDT-S-112DMR,601	1461056-6	12V	SDT-S-112DMR	e
SDT-S-109DMR,601	1461056-5	9V	SDT-S-109DMR	d
SDT-S-106DMR,601	1461056-4	6V	SDT-S-106DMR	c
SDT-S-105DMR,601	1461056-3	5V	SDT-S-105DMR	b
SDT-S-103DMR,601	1461056-2	3V	SDT-S-103DMR	a
TE TYPE NAME	PART NO	PART B	PART A	No

RELAY TYPE

		EPOXY RESIN	SEAL (BASE & TERMINAL)	15
		EPOXY RESIN	SEAL (BASE & YOKE)	14
		3UEW	MAGNETIC WIRE	13
94V-0		P.B.T	CASE	12
94V-0		P.B.T	BOBBIN	11
	SOLDER DIP	C.P WIRE	COIL TERMINAL	10
94V-0		NYRON	CARD	9
		Ag ALLOY	MOVABLE CONTACT	8
		Ag ALLOY	NO.CONTACT	7
		STEEL	HINGE SPRING	6
	SOLDER DIP	Cu ALLOY	NO.TERMINAL	5
	SOLDER DIP	Cu ALLOY	MOVABLE SPRING	4
	NIP	STEEL	CORE	3
	NIP	STEEL	ARMATURE	2
	NIP	STEEL	YOKE	1
INCOMBUSTIBILITY	TREATMENT	MATERIAL	DESCRIPTION	ITEM

THIS DRAWING IS A CONTROLLED DOCUMENT FOR TYCO ELECTRONICS CORPORATION IT IS SUBJECT TO CHANGE AND THE CONTROLLING ENGINEERING ORGANIZATION SHOULD BE CONTACTED FOR THE LATEST REVISION.		DWN	 Tyco Electronics Tyco Electronics Corporation Shenzhen,China			
DIMENSIONS: mm		CHK				
		APVD	NAME			
TOLERANCES UNLESS OTHERWISE SPECIFIED: 0 PLC ± 1 PLC ± 2 PLC ± 3 PLC ± 4 PLC ± ANGLES ±		PRODUCT SPEC	SDT-DMR SPEC,601			
MATERIAL		APPLICATION SPEC	SIZE	CAGE CODE	DRAWING NO	RESTRICTED TO
FINISH		WEIGHT	A3	00779	C- 1461056-2	
		CUSTOMER DRAWING	SCALE	SHEET	OF	REV
				2	2	c

X-ON Electronics

Largest Supplier of Electrical and Electronic Components

Click to view similar products for [General Purpose Relays](#) category:

Click to view products by [TE Connectivity](#) manufacturer:

Other Similar products are found below :

[APF30318](#) [JVN1AF-4.5V-F](#) [PCN-105D3MHZ](#) [5JO-10000S-SIL](#) [5JO-1000CD-SIL](#) [5JO-400CD-SIL](#) [LY2S-AC220/240](#) [LYQ20DC12](#)
[6031007G](#) [6131406HQ](#) [6-1393099-3](#) [6-1393099-8](#) [6-1393122-4](#) [6-1393123-2](#) [6-1393767-1](#) [6-1393843-7](#) [6-1415012-1](#) [6-1419102-2](#) [6-](#)
[1423698-4](#) [6-1608051-6](#) [6-1608067-0](#) [6-1616170-6](#) [6-1616248-2](#) [6-1616282-3](#) [6-1616348-2](#) [6-1616350-1](#) [6-1616350-8](#) [6-1616358-7](#) [6-](#)
[1616359-9](#) [6-1616360-9](#) [6-1616931-6](#) [6-1617039-1](#) [6-1617052-1](#) [6-1617090-2](#) [6-1617090-5](#) [6-1617347-5](#) [6-1617353-3](#) [6-1617801-8](#) [6-](#)
[1617802-2](#) [6-1618107-9](#) [6-1618248-4](#) [M83536/1-027M](#) [CX-4014](#) [MAHC-5494](#) [MAVCD-5419-6](#) [703XCX-120A](#) [7-1393100-5](#) [7-1393111-7](#)
[7-1393144-5](#) [7-1393767-8](#)