

THIS DRAWING IS UNPUBLISHED. RELEASED FOR PUBLICATION 1825032, 1825032  
 © COPYRIGHT By - ALL RIGHTS RESERVED.

LOC		DIST		REVISIONS			
P	LTR	DESCRIPTION		DATE	DWN	APVD	
	A2	REVISED PER ECO-11-021742		05NOV11	KH	PO	

- OPERATING TEMPERATURE: -20°C TO 80°C.
- STORAGE TEMPERATURE: -40°C TO 80°C.
- CONTACT TIMING: NON-SHORTING.
- CONTACT RATING: 0.4VA @ 20VDC.
- CONTACT RATING MAXIMUM: 50mA 48V AC/DC.
- CONTACT RATING MINIMUM: 1µA 20mV AC/DC.
- CONTACT PLATING: GOLD OVER NICKEL.
- FIXED CONTACT/TERMINAL: GOLD OVER NICKEL.
- FRAME PLATING: TIN OVER NICKEL.
- INITIAL CONTACT RESISTANCE: LESS THAN 50 MILLIOHMS PER EIA 364-23B.
- FINAL CONTACT RESISTANCE: 100 MILLIOHMS MAX PER EIA 364-23B.
- INSULATION RESISTANCE: 500 MEGOHMS MIN AT 250VDC PER EIA 364-21C.
- DIELECTRIC STRENGTH: 500VAC BETWEEN TERMINALS AND GROUND PER EIA 364-20B, CONDITION 1.
- VIBRATION PER EIA 364-28D, CONDITION VII, LEVEL E.
- MECHANICAL SHOCK PER EIA 364-27B, CONDITION A.

16. LIFE EXPECTANCY: ON-OFF ELECTRICAL SWITCHING OPERATIONS PER EIA 364-9C 10 CYCLES PER MINUTE AT THE FOLLOWING RATED LOAD.

TYPE	MAXIMUM CONTACT RATING	0.4 VA	MINIMUM CONTACT RATING
D.E	10000 (OPERATIONS)	30000 (OPERATIONS)	30000 (OPERATIONS)

- ACTUATION FORCE: 70-500g PER EIA 364-13B.
- THERMAL SHOCK PER EIA 364-32C, -25°C TO 85°C.
- HUMIDITY-TEMPERATURE CYCLING PER EIA 364-31B, METHOD III.
- TEMPERATURE LIFE PER EIA 364-17B, METHOD B, TEMPERATURE TEST CONDITION 3, TIME CONDITION B.
- RESISTANCE TO SOLDER HEAT PER 109-202,CON B.
- SOLDERABILITY PER EIA 364-52, CLASS 2, CATEGORY 1.
- SEALED PER IEC 529, IP67.
- ALL MATERIALS AND FINISHES SHALL COMPLY WITH EU DIRECTIVE 2000/95/EC OF 27 JAN2003 (ROHS)

COLOR- BLACK	PA RESIN	SLIDE PLATE
COLOR- BLACK	PEI RESIN	BASE
OIL TREATED	PIANO WIRE	SPRING
COLOR- WHITE	PA RESIN	SLIDE PIN
-	SILICON RUBBER	ACTUATOR BOOT
7	PHOS BRONZE	MOVING CONTACT
8	PHOS BRONZE	FIXED CONTACT /TERMINAL
COLOR- YELLOW	PBT RESIN	ACTUATOR
9	BRASS	FRAME
COLOR- GRAY	PBT RESIN	CASE
FINISH	MATERIAL	PART DESCRIPTION

ON 2-3 5-6	OFF	ON 2-1 5-4	ALCO	SE2EGPC04	1825032-4
ON 2-3 5-6	NONE	ON 2-1 5-4	ALCO	SE2DGP04	1825032-3
ON 2-3	OFF	ON 2-1	ALCO	SE1EGPC04	1825032-2
ON 2-3	NONE	ON 2-1	ALCO	SE1DGPC04	1825032-1
TYCO POSITION A	TYCO	TYCO POSITION B	MARKINGS	ALCOSWITCH PART NUMBER	PART NUMBER
CIRCUIT ARRANGEMENT					
CIRCUIT CHARACTERISTICS					

THIS DRAWING IS A CONTROLLED DOCUMENT.		DWN	B.S.VISWESWARA	03MAR05
DIMENSIONS: mm		CHK	M.S.SARVER	
TOLERANCES UNLESS OTHERWISE SPECIFIED:		APVD		
0 PLC ± -		PRODUCT SPEC		
1 PLC ± -		APPLICATION SPEC		
2 PLC ± 0.25				
3 PLC ± -				
4 PLC ± -				
ANGLES ± 0°30'				
MATERIAL	FINISH	WEIGHT		
CUSTOMER DRAWING		SCALE	1:1	SHEET 1 OF 2

**STE** TE Connectivity

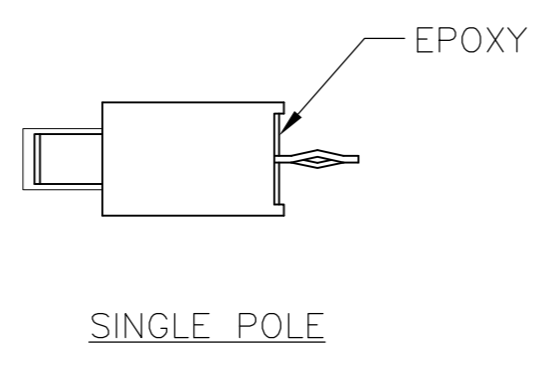
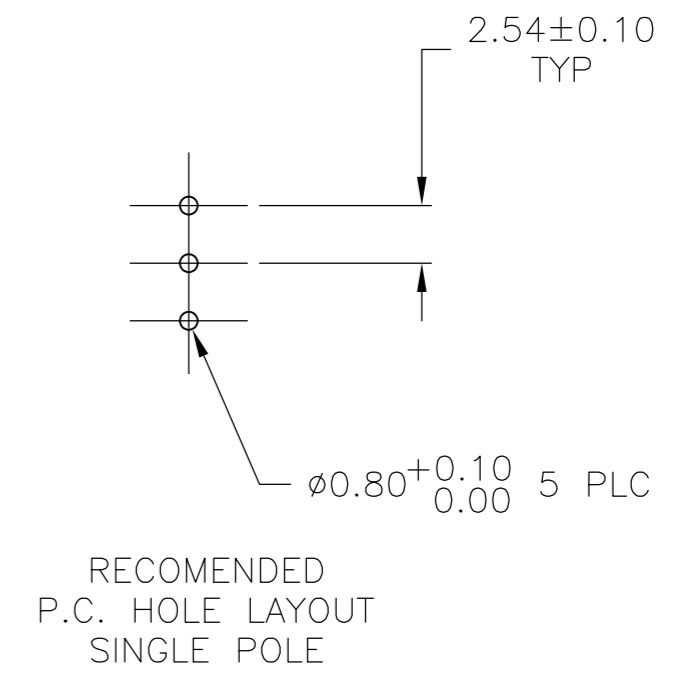
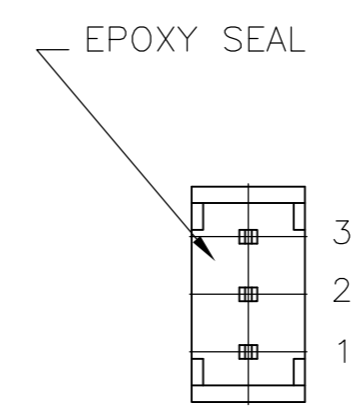
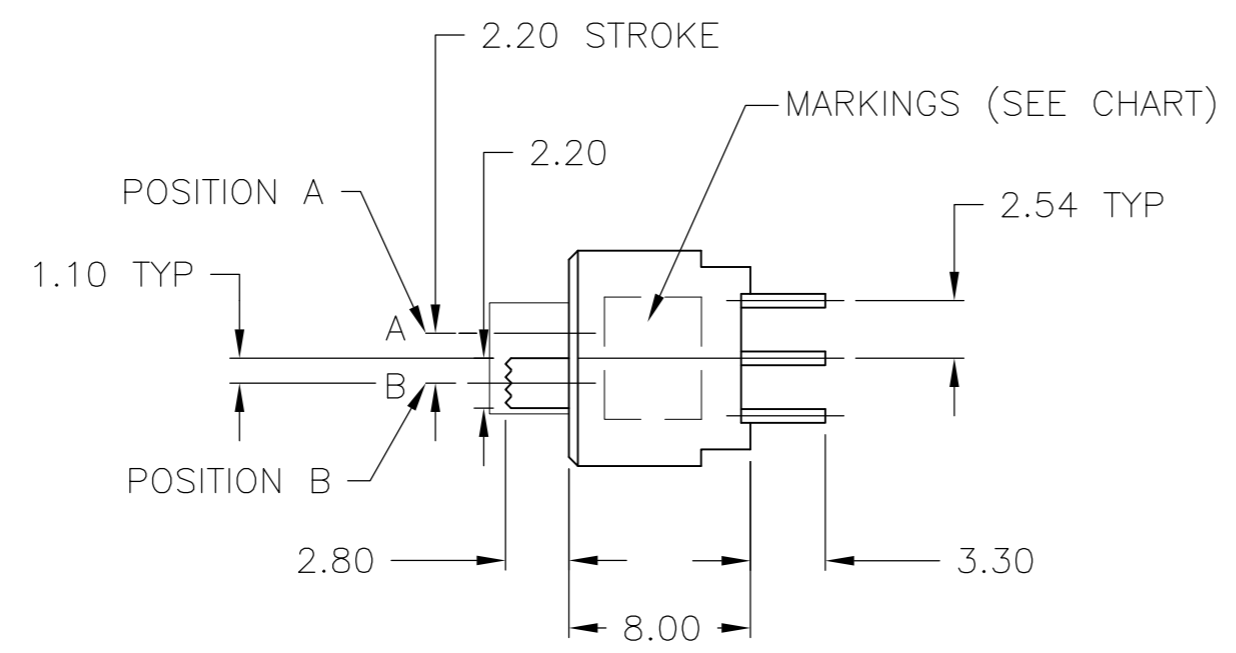
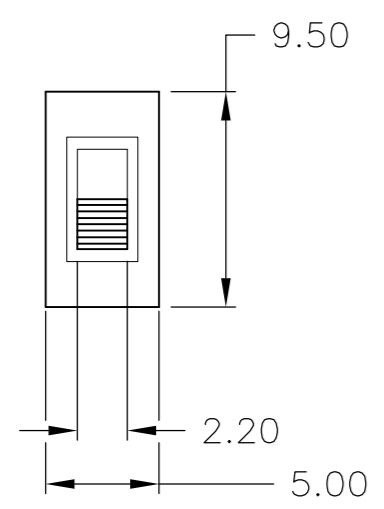
SWITCH, SLIDE, SEALED SE(\*\*)GPC

SIZE: A2 CAGE CODE: - DRAWING NO: 1825032 RESTRICTED TO: -

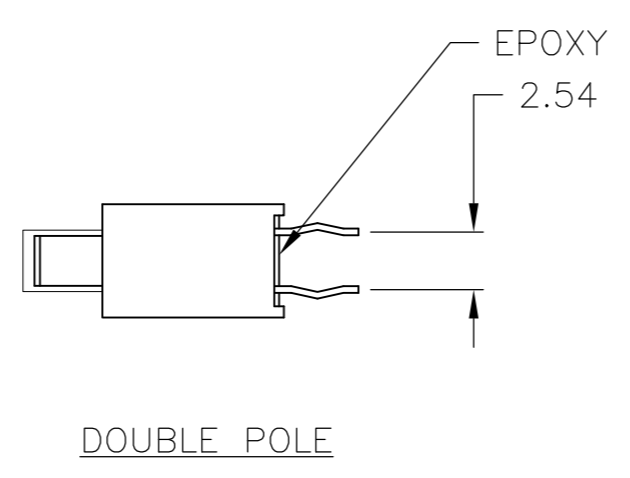
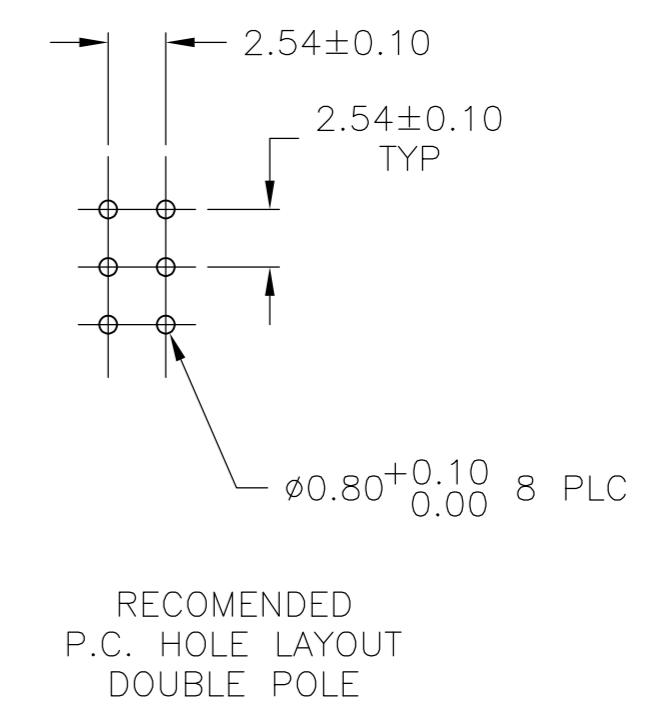
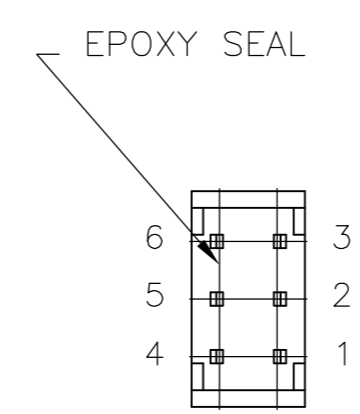
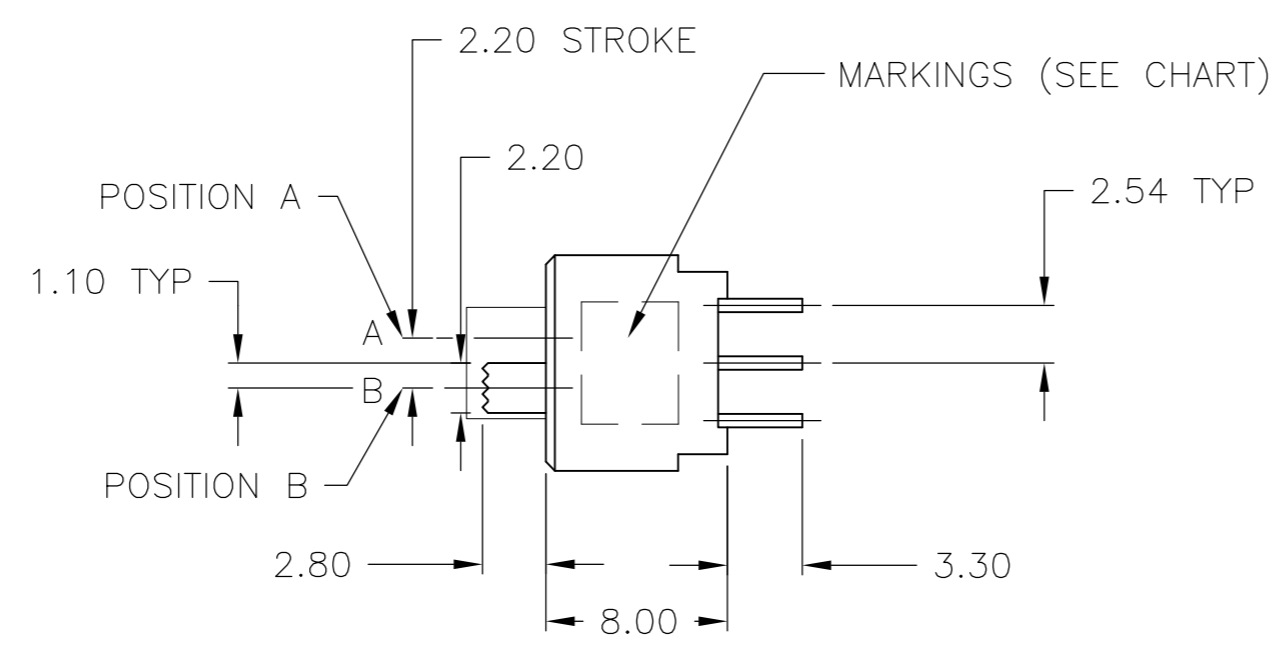
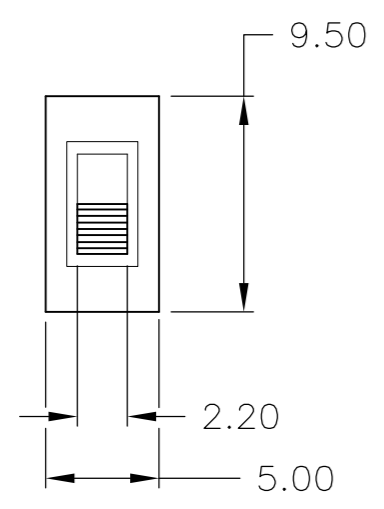
REV: A2

THIS DRAWING IS UNPUBLISHED. RELEASED FOR PUBLICATION 1825032, 1825032  
 © COPYRIGHT 1825032y - ALL RIGHTS RESERVED.

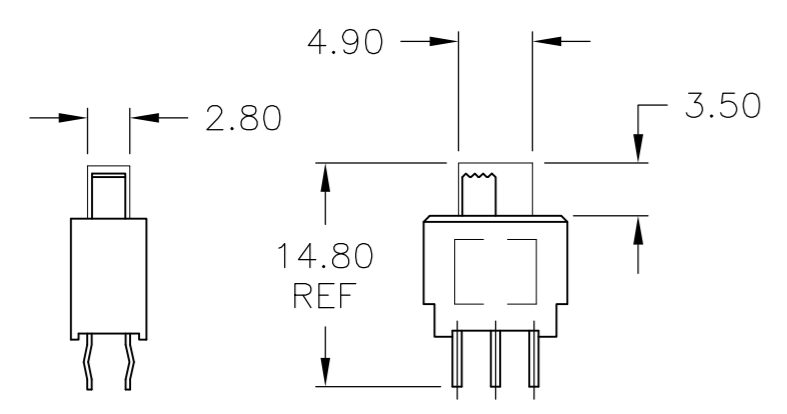
LOC	DIST	REVISIONS			
P	LTR	DESCRIPTION	DATE	DWN	APVD
AD	00	SEE SHEET 1	-	-	-



SINGLE POLE



DOUBLE POLE



ACTUATOR BOOT DIMENSIONS SCALE 2:1

THIS DRAWING IS A CONTROLLED DOCUMENT.		DWN B.S.VISWESWARA	03MAR05	<b>TE</b> TE Connectivity	
DIMENSIONS: mm		CHK M.S.SARVER	APVD -		
TOLERANCES UNLESS OTHERWISE SPECIFIED:		PRODUCT SPEC		SWITCH, SLIDE, SEALED SE(**)GPC	
0 PLC ± -		APPLICATION SPEC		SIZE	RESTRICTED TO
1 PLC ± -		-		A2	-
2 PLC ± 0.25		-		CAGE CODE	DRAWING NO
3 PLC ± -		-		-	1825032
4 PLC ± -		-		SCALE	SHEET
ANGLES ± 0°30'		WEIGHT		3:1	2 of 2
FINISH		CUSTOMER DRAWING		REV	A2

## X-ON Electronics

Largest Supplier of Electrical and Electronic Components

*Click to view similar products for [Slide Switches](#) category:*

*Click to view products by [TE Connectivity](#) manufacturer:*

Other Similar products are found below :

[6-1437581-1](#) [M43R](#) [MHS123K15D](#) [MHS133K](#) [MHSS1104A](#) [MMD](#) [GH49S010001](#) [MSS12A](#) [EPS1PC1](#) [1825074-1](#) [1825160-3](#) [1825167-2](#)  
[1825289-7](#) [K232CB](#) [25139NLDB](#) [25449NAH](#) [SLB1240R45](#) [1825078-1](#) [1825080-4](#) [1825269-1](#) [1825270-2](#) [STS141RA04](#) [T2215BEN506](#)  
[GH46P000001](#) [GH46W000001](#) [GH49P010001](#) [25339NA](#) [M42A](#) [TG36P000000](#) [TG36P000050](#) [AYZ0202AG](#) [47227LFE](#) [49331L](#) [50208L](#)  
[L203091MS02Q](#) [4-1437581-7](#) [X2225CR-437W](#) [49329L](#) [1101M1S3ZB8E2](#) [1-1437581-1](#) [MSS2225G04](#) [TG39W000000](#) [1825075-1](#)  
[MSS42G](#) [TG36WS80065](#) [T105S1CWZBE](#) [SLB124145](#) [SLB1280R5](#) [SLB1340R45](#) [25136NLDB](#)