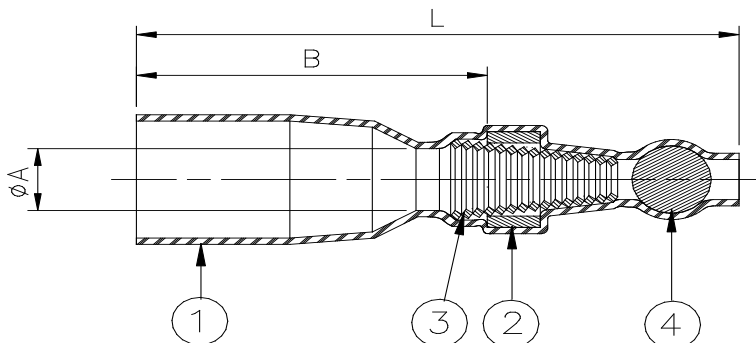


CUSTOMER DRAWING



Product Revision	Ball Color	Product Dimensions			Copper Cross Section		Bundle ϕ		
		L \pm 3.5 (L \pm 0.140)	ϕ A	B	Min. mm ² (CMA)	Max. mm ² (CMA)	ϕ D max	M \pm 1 (M \pm 0.04)	
SGRP-1	C	Green	38.3 (1.510)	3.1 \pm 0.2 (0.125 \pm 0.008)	26.0 \pm 2 (1.025 \pm 0.079)	0.7 (1400)	2.4 (4800)	4.0 (0.160)	15 (0.590)
SGRP-2	C	Red	37.7 (1.485)	3.9 \pm 0.2 (0.155 \pm 0.008)	23.5 \pm 2 (0.925 \pm 0.079)	2.0 (4000)	4.0(8000)	6.0 (0.235)	15 (0.590)
SGRP-3	D	Blue	44.5 (1.750)	5.35 \pm 0.3 (0.210 \pm 0.012)	25.5 \pm 3 (1.00 \pm 0.118)	3.5 (7000)	9.0(18000)	8.5 (0.335)	15 (0.590)
SGRP-4	D	Yellow	45.5 (1.790)	7.15 \pm 0.3 (0.280 \pm 0.012)	25.0 \pm 3 (0.985 \pm 0.118)	7.5 (15000)	15.0(3000)	10.5 (0.410)	15 (0.590)

These products are tested to RB109.

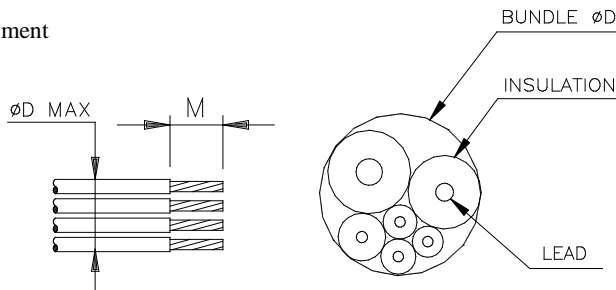
MATERIALS

- INSULATION SLEEVE: Heat-shrinkable, transparent blue, radiation cross-linked modified polyvinylidene fluoride.
- SOLDER PREFORM WITH FLUX:
SOLDER: TYPE Sn60 per ANSI-J-STD-006.
FLUX: TYPE ROM1 per ANSI-J-STD-004.
- CONICAL SPRING: Square copper wire.
- END CLOSURE BALL: Tinted glass. Color: see table.

APPLICATION

- These controlled soldering devices are designed stub splicing of stranded wires with bare copper conductor having an insulation rated for 85°C minimum.
- Temperature range: class 3A, -40°C to +125°C.
Vibration range: class 1 (body).
Seal range: class 0 (seal porous or no seal).
- For installation procedure and application equipment consult, RPIP-820-00.

For best results, prepare the cable as shown:



* A trademark of TE Connectivity

		Raychem DEVICES	TITLE: SOLDERGRIP* STUB SPLICE				
UNLESS OTHERWISE SPECIFIED DIMENSIONS ARE IN MILLIMETERS. INCHES DIMENSIONS ARE BETWEEN BRACKETS.			DOCUMENT NO.: SGRP-X				
TOLERANCES: 0.00 N/A 0.0 N/A 0 N/A	ANGLES: N/A ROUGHNESS IN MICRON	TE Connectivity reserves the right to amend this drawing at any time. Users should evaluate the suitability of the product for their application.	DATE: 24-Mar-16	DOC ISSUE: F1			
DRAWN BY: M. FORONDA	CAGE CODE: 06090	REPLACES: D981339	DCR NUMBER: ECO-16-004598	PROD. REV.: SEE TABLE	SCALE: None	SIZE: A	SHEET: 1 of 1

If this document is printed it becomes uncontrolled. Check for the latest revision.

X-ON Electronics

Largest Supplier of Electrical and Electronic Components

Click to view similar products for [Solder Sleeves & Shield Tubing](#) category:

Click to view products by [TE Connectivity](#) manufacturer:

Other Similar products are found below :

[899170-000](#) [620040N001](#) [620069N003](#) [CTA-0050-01](#) [629624-000](#) [6500750004](#) [6501390002](#) [CX0781-000](#) [696396-000](#) [697080-000](#) [D-150-0331CS2902](#) [D-181-1222-90/9CS2800](#) [D-300-01CS1108](#) [715325N001](#) [908357N001](#) [982127-1](#) [D-436-0182CS246](#) [D-436-37CS2651](#) [D-436-61CS246](#) [D-436-82-CS2621](#) [D-659-0087](#) [E53797N001](#) [CB0213-000](#) [CB0219-000](#) [S200-2-01](#) [S200-4-00CS2904](#) [LSS-81-16AA-CS5575](#) [ST18-2-00](#) [FLX40-020-04-CS8651](#) [325534-000](#) [CTA-0025](#) [D-108-07CS436](#) [D-128-0010](#) [D-141-0108CS404](#) [D-144-41CS1371](#) [D-150-0231-NRCS2896](#) [D-150-1011](#) [395947-000](#) [427243N001](#) [B-801-18-01](#) [515-9](#) [C67137-000](#) [CB0220-000](#) [D-436-0185CS1102](#) [D-436-36CS2908](#) [D-436-37CS2908](#) [D-436-52CS246](#) [D44133N001](#) [LSS-26-8A](#) [626168-000](#)