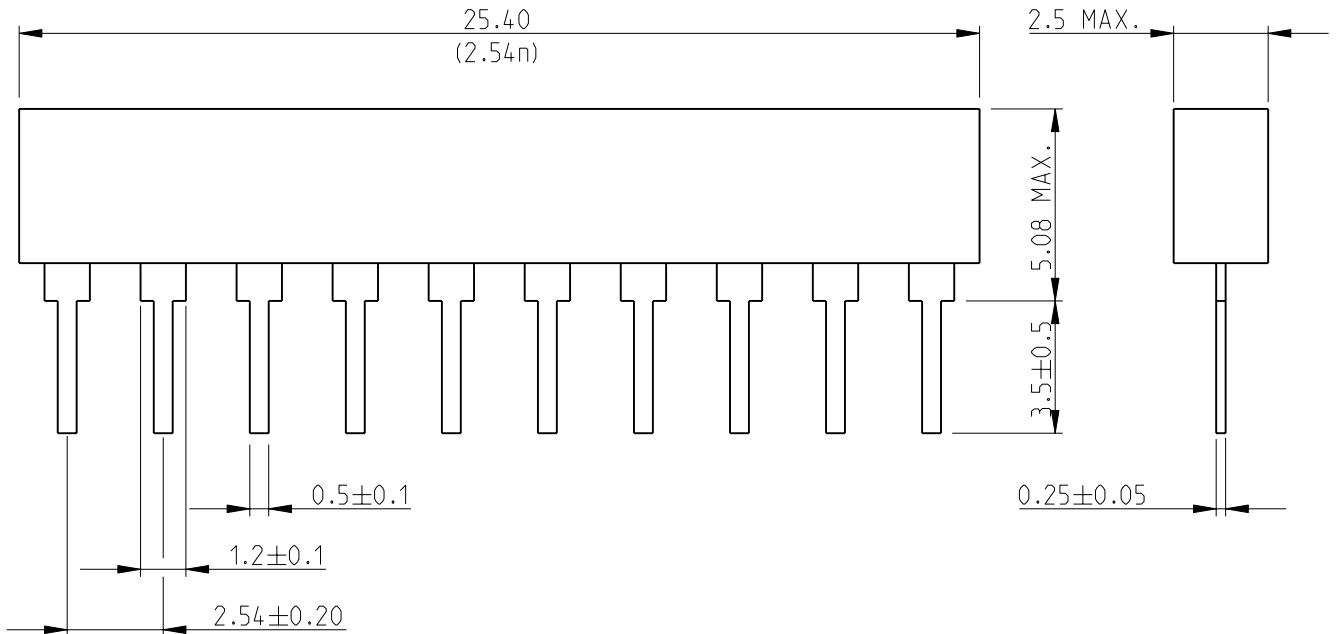
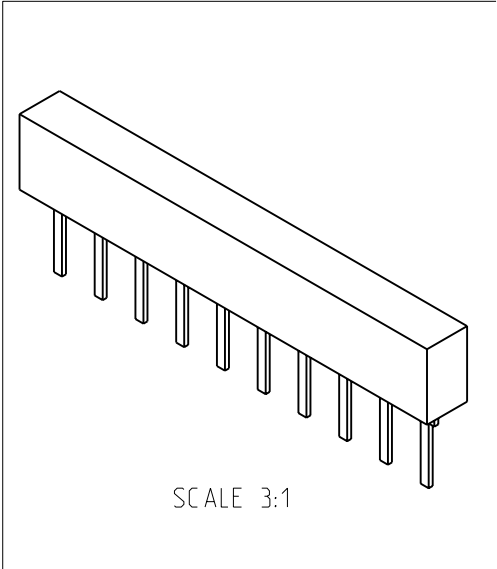


LOC	DIST	REVISIONS					
E	B	P	LTR	DESCRIPTION	DATE	DWN	APVD
			BA	NEW RELEASE	22-OCT-09	MRS	St.P



RoHS Compliant



1. n = NUMBER OF PINS
2. FOR FURTHER INFORMATION SEE DATA SHEET FOR SERIES SIL, GENERAL PURPOSE RESISTOR NETWORKS

2009

RELEASED FOR PUBLICATION

THIS DRAWING IS UNPUBLISHED.

BY TYCO ELECTRONICS CORPORATION. ALL RIGHTS RESERVED.



DIMENSIONS:		DWN	22-OCT-09	MATERIAL	FINISH		
mm		MAHARUDRA		-	-		
TOLERANCES UNLESS OTHERWISE SPECIFIED:		CHK	22-OCT-09	Tyco Electronics Corporation Dorcan, Swindon, SN3 5HH			
0 PLC ±0.2		ALLAN.P					
1 PLC ±0.1		APVD	22-OCT-09	NAME GENERAL PURPOSE RESISTOR NETWORKS SIL10 RESISTOR NETWORKS			
2 PLC ±		STEPHEN.P					
3 PLC ±		PRODUCT SPEC		SIZE	CAGE CODE	DRAWING NO	RESTRICTED TO
4 PLC ±		APPLICATION SPEC		A 4	00779	©-1622807	-
ANGLES ±5°		WEIGHT		CUSTOMER DRAWING			
				SCALE	5:1	SHEET	1 OF 1
				REV BA			

X-ON Electronics

Largest Supplier of Electrical and Electronic Components

Click to view similar products for [Resistor Networks & Arrays](#) category:

Click to view products by [TE Connectivity](#) manufacturer:

Other Similar products are found below :

[M8340105K1002FGD03](#) [M8340105K3301JCD03](#) [M8340106M2002GCD03](#) [M8340107K1471FGD03](#) [M8340107K2002GCD03](#)
[M8340107K2261FGD03](#) [M8340107M1501GGD03](#) [M8340108K1001FCD03](#) [M8340108K3240FGD03](#) [M8340108K4991FGD03](#)
[M8340108K6192FGD03](#) [M8340109K2872FCD03](#) [M8340109MA010GHD03](#) [EXB-24N121JX](#) [EXB-24N330JX](#) [EXB-24N470JX](#)
[744C083101JTR](#) [EXB-U14360JX](#) [EXB-U18390JX](#) [744C083270JTR](#) [745C102472JP](#) [767161104G](#) [770101223](#) [ACAS06S0830339P100](#)
[ACAS06S0830343P100](#) [ACAS06S0830344P100](#) [RM2012A-102/104-PBVW10](#) [RM2012A-102503-PBVW10](#) [8B472TR4](#) [268-15K](#)
[ACAS06S0830341P100](#) [ACAS06S0830342P100](#) [ACAS06S0830345P100](#) [EXB-U14470JX](#) [EXB-U18330JX](#) [266-10K](#)
[M8340102K1051FBD04](#) [M8340105M1001JCD03](#) [M8340106K4701GGD03](#) [M8340107K1004GGD03](#) [M8340108K1000GGD03](#)
[M8340108K1202GGD03](#) [M8340108K3901GGD03](#) [M8340108K4992FGD03](#) [M8340108K5111FGD03](#) [M8340109K2202GCD03](#)
[RKC8BD104J](#) [DFNA100-1TS](#) [745X101473JP](#) [RMKD408-10KBW](#)