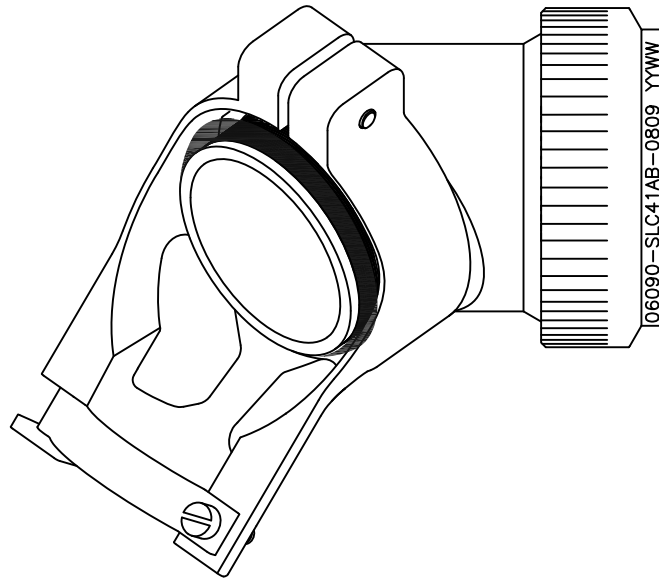


| | | | | |
|--|----------|---------------------------|------------|----------|
| TE CONNECTIVITY (TE) RESERVES THE RIGHT TO CHANGE THIS DRAWING AT ANYTIME. USERS SHOULD EVALUATE THE SUITABILITY OF THE PRODUCT FOR THEIR APPLICATION. | REVISION | | | |
| | LTR | DESCRIPTION | DATE | APPROVED |
| | B | REVISED PER ECO-15-005245 | 04/06/2015 | I. MYONG |
| | | | | |



CODE 41 – SPIN-LOCK ADAPTER WITH STRAIN RELIEF FITTING

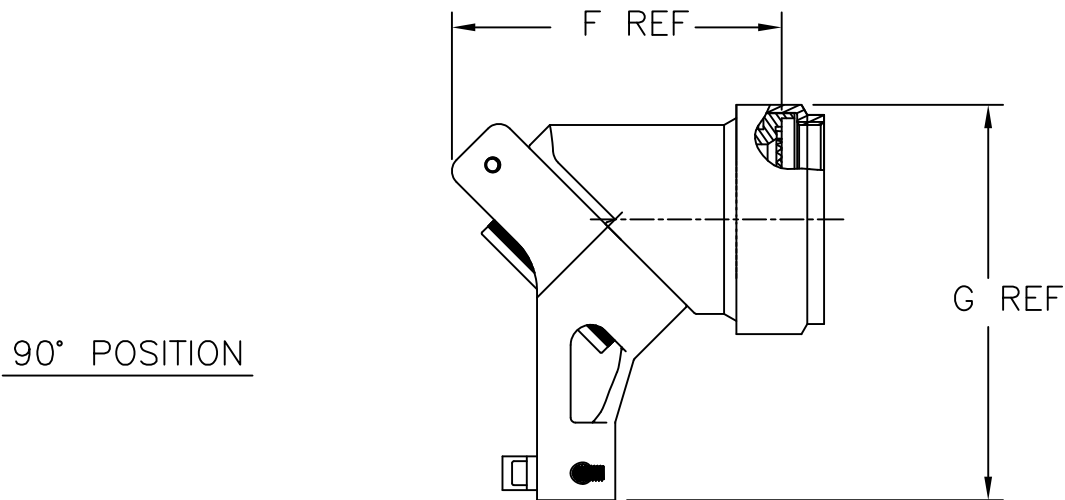
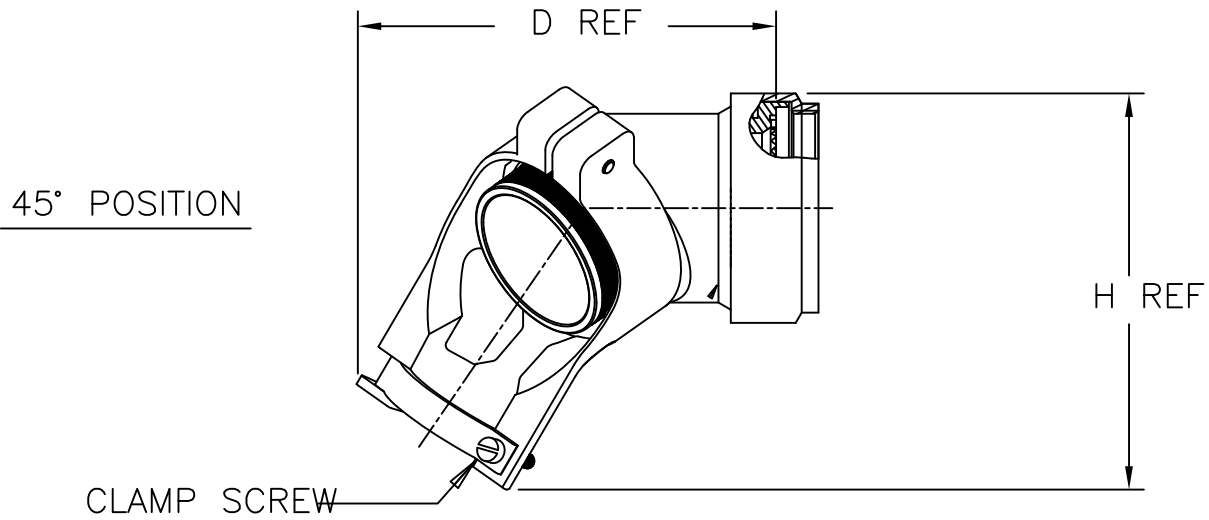
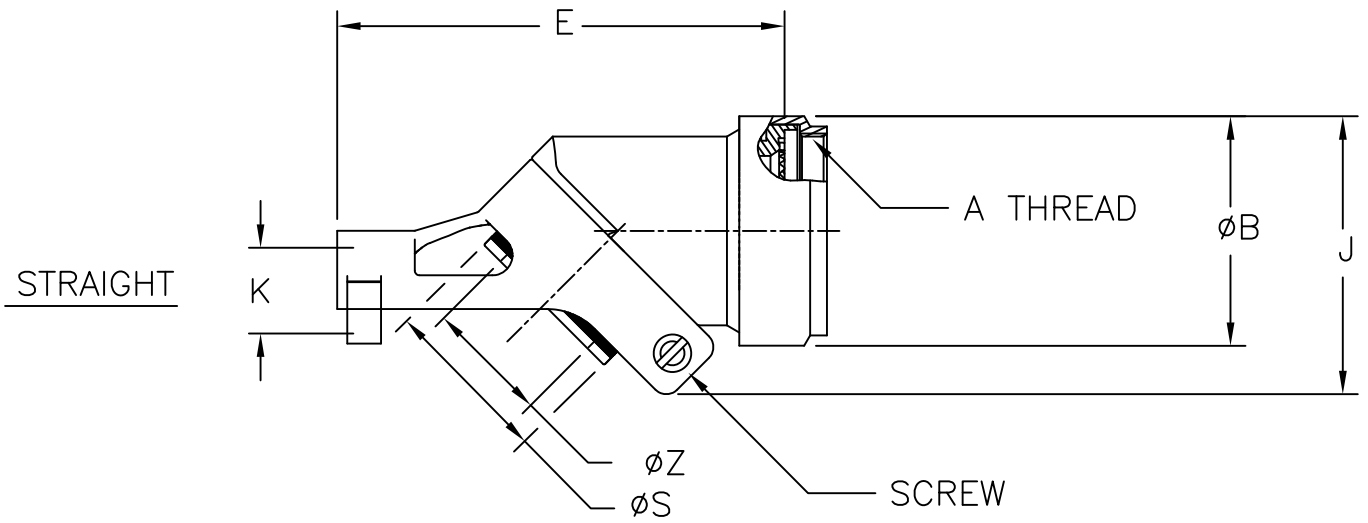
NOTES:

1. THIS PRODUCT IS DESIGNED TO TERMINATE A BRAIDED CABLE SHIELD TO A CONNECTOR AND PROVIDE STRAIN RELIEF.
2. SEE DRAWING "TR" FOR DETAIL ON TINEL-LOCK RING. RINGS ARE DESIGNED TO BE HEATED ELECTRICALLY. ALL RINGS ARE MARKED WITH THERMOCHROMIC PAINT WHICH CHANGES COLOR WHEN INSTALLATION TEMPERATURE IS REACHED.
3. ADAPTER TO BE PERMANENTLY MARKED WITH CODE IDENT. NO. AND PART NO. LESS RING DESIGNATOR (e.g. 06090-SLC40AB-0809 YYWW).
4. ADAPTER MATES TO MIL-DTL-38999, SERIES I & II, CLASS E, AND : MS27466, MS27467, MS27468, MS27472, MS27473, MS27474, MS27479, MS27480, MS27484, MS27497, MS27652, MS27653, MS27656 CONNECTORS.
5. INSTALLATION PROCEDURE MIP-103-3.
6. PERFORMANCE SPECIFICATION MPS-103.
7. FOR ADDITIONAL ORDERING INFORMATION, REFER TO CH00-0250-019.

©2015 TE CONNECTIVITY LTD. FAMILY OF COMPANIES. ALL RIGHTS RESERVED
 TE CONNECTIVITY AND TE CONNECTIVITY (LOGO) ARE TRADEMARKS.
 OTHER LOGOS PRODUCT AND/OR COMPANY NAMES MAY BE TRADEMARKS OF THEIR RESPECTIVE OWNERS.

Raychem Adapters
 CUSTOMER DRAWING

| | | | | | | | |
|---|------------------------|-----------------------------|---------------------------------------|------------------|---------------------|----------------------|-----------|
| UNLESS OTHERWISE SPECIFIED DIMENSIONS ARE IN INCHES. REFERENCE METRIC DIMENSIONS ARE IN BRACKETS [metric]. | DRAWN: D. JAIN | DATE: 08/08/2011 | | TE Connectivity | | | |
| | CHECKED: B. WONG | DATE: 08/08/2011 | | | | | |
| DECIMALS TOLERANCES: XXX ± .005 [0.13mm] XX ± .01 [0.25mm] X ± .1 [0.50mm] ANGLES TOLERANCE: ± 1° | APPROVED: I. MYONG | DATE: 02/20/2015 | TITLE: CODE 41 – SPIN-LOCK ADAPTER | | | | |
| | MATERIAL: SEE NOTES | FINISH: SEE NOTES | | | | | |
| SCALE: DO NOT SCALE THIS DRAWING | CAD FILE: SLC41.dwg | THIRD ANGLE PROJECTION: | SIZE: A | SHEET: 1 OF 3 | CAGE CODE: 06090 | DRAWING NO: SLC41 | REV. B |



Raychem Adapters
CUSTOMER DRAWING



DO NOT
SCALE THIS
DRAWING

SIZE
A

CAGE
06090

SHEET
2 OF 3

DWG. NO.

SLC41

REV
B

TABLE I

| ORDER NO. | SHELL SIZE | | AVAILABLE ENTRY SIZES (SEE TABLE III) | | | A UNEF THD CLASS 2B | ØB MAX |
|-----------|------------|--------|---------------------------------------|----|----|---------------------------|-------------|
| | SER I | SER II | S | L | XL | | |
| 08 | 09 | 08 | - | - | 04 | .4375-28 | .70 (17.8) |
| 10 | 11 | 10 | - | 04 | 06 | .5625-24 | .82 (20.8) |
| 12 | 13 | 12 | 04 | 06 | 08 | .6875-24 | .95 (27.2) |
| 14 | 15 | 14 | 06 | 08 | 10 | .8125-20 | 1.07 (29.2) |
| 16 | 17 | 16 | 08 | 10 | 12 | .9375-20 | 1.20 (30.5) |
| 18 | 19 | 18 | 10 | 12 | 14 | 1.0625-18 | 1.32 (33.5) |
| 20 | 21 | 20 | 10 | 12 | 16 | 1.1875-18 | 1.45 (36.8) |
| 22 | 23 | 22 | 12 | 14 | 18 | 1.3125-18 | 1.57 (39.1) |
| 24 | 25 | 24 | 12 | 16 | 20 | 1.4375-18 | 1.70 (43.2) |

TABLE II

| ORDER NO. | D REF | E MAX | F REF | G REF | H REF | K MAX | J MAX |
|-----------|----------------|----------------|----------------|----------------|----------------|-----------------|----------------|
| 08 | 1.88 (47.8) | 1.90 (48.3) | 1.37 (34.8) | 1.66 (42.2) | 1.80 (45.7) | .234 (5.94) | 1.09 (27.7) |
| 10 | 2.00 (50.8) | 2.05 (52.1) | 1.47 (37.3) | 1.83 (46.5) | 1.86 (47.2) | .234 (5.94) | 1.20 (30.5) |
| 12 | 2.04 (51.8) | 2.18 (55.4) | 1.54 (39.1) | 1.95 (49.5) | 1.94 (49.3) | .328 (8.45) | 1.26 (32.0) |
| 14 | 2.30 (58.4) | 2.38 (60.5) | 1.79 (45.5) | 2.07 (52.6) | 2.11 (53.6) | .457 (11.61) | 1.43 (36.3) |
| 16 | 2.44 (62.0) | 2.53 (64.3) | 1.93 (49.0) | 2.24 (56.9) | 2.28 (57.9) | .614 (15.60) | 1.58 (40.1) |
| 18 | 2.59 (65.8) | 2.76 (70.1) | 2.21 (56.1) | 2.47 (62.7) | 2.55 (64.8) | .634 (16.10) | 1.75 (44.5) |
| 20 | 2.70 (68.6) | 2.81 (71.4) | 2.18 (55.4) | 2.56 (65.0) | 2.67 (67.8) | .698 (17.73) | 1.89 (48.0) |
| 22 | 2.89 (73.4) | 3.15 (80.0) | 2.29 (58.2) | 2.90 (73.7) | 2.96 (75.2) | .823 (20.90) | 1.99 (50.5) |
| 24 | 2.96 (75.2) | 3.25 (82.6) | 2.39 (60.7) | 2.96 (75.2) | 3.04 (77.2) | .853 (21.67) | 2.10 (53.3) |

TABLE III

| ENTRY SIZE | ØS | ØZ +.010 (0.25) -.020 (0.50) |
|------------|--------------------------------|------------------------------------|
| 04 | .376 (9.55) .370 (9.40) | .250 (6.35) |
| 06 | .501 (12.73) .495 (12.57) | .375 (9.53) |
| 08 | .626 (15.90) .619 (15.72) | .500 (12.70) |
| 10 | .752 (19.10) .742 (18.85) | .625 (15.88) |
| 12 | .877 (22.28) .867 (22.02) | .750 (18.84) |
| 14 | 1.002 (25.45) .991 (25.17) | .875 (22.23) |
| 16 | 1.127 (28.63) 1.116 (28.35) | 1.000 (25.40) |
| 18 | 1.252 (31.80) 1.241 (31.52) | 1.125 (28.58) |
| 20 | 1.377 (34.98) 1.366 (34.70) | 1.250 (31.75) |

**Raychem Adapters
CUSTOMER DRAWING**

DO NOT
SCALE THIS
DRAWINGSIZE
ACAGE
06090SHEET
3 OF 3

DWG. NO.

SLC41

REV
B

X-ON Electronics

Largest Supplier of Electrical and Electronic Components

Click to view similar products for [Circular MIL Spec Backshells](#) category:

Click to view products by [TE Connectivity](#) manufacturer:

Other Similar products are found below :

[5M2919-3DW](#) [5M2920-3CW](#) [5M2953-1HW](#) [60-036152-022](#) [610HS012M15](#) [M28840/504WA](#) [M28840/805WB](#) [M28840/809WA](#)
[M28840/815WA](#) [M28840/816WA](#) [627AS017M14](#) [62GB5851608S](#) [655HS002NF11](#) [CW3703-000](#) [CW3899-000](#) [M85049/10-134S](#)
[M85049/10-17S](#) [M85049/10-33S](#) [M85049/10-94W](#) [M85049/11-09W](#) [M85049/11-28N](#) [M85049/11-37N](#) [M85049/11-53N](#) [M85049/11-63N](#)
[M85049/118-20W](#) [M85049/124-23W](#) [M85049/124S09W](#) [M85049/126S23W](#) [M850491712W02](#) [M85049/1720N04B](#) [M85049/1817N06](#)
[M850491819W03](#) [M85049/1821W05C](#) [M85049/1825W06C](#) [M85049/1919N05](#) [M85049/1919W04](#) [M850491919W07](#) [M85049/23-59W](#)
[M85049/23-74W](#) [M8504924-5W](#) [M85049/24-71N](#) [M85049/25-47N](#) [M85049/25-94W](#) [M85049/27S12N](#) [M8504938-13S](#) [M85049/38-19S](#)
[M85049/39-11S](#) [M85049/39-17S](#) [M85049/39-9S](#) [M85049/3W4A2](#)