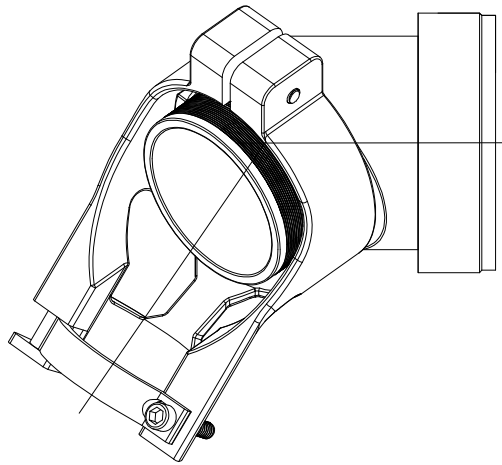


REVISIONS				
P	LTR	DESCRIPTION	DATE	APVD
	C	REVISED PER ECO-19-018565	09DEC2019	JM AS



SPIN-LOCK ADAPTER,SADDLE CLAMP

NOTES:


1. THIS PRODUCT IS DESIGNED TO TERMINATE A BRAIDED CABLE SHIELD TO A CONNECTOR AND PROVIDE STRAIN RELIEF.
2. SEE DRAWING "TR" FOR DETAIL ON TINEL-LOCK RING. RINGS ARE DESIGNED TO BE HEATED ELECTRICALLY. ALL RINGS ARE MARKED WITH THERMOCHROMIC PAINT WHICH CHANGES COLOR WHEN INSTALLATION TEMPERATURE IS REACHED.
3. ADAPTER TO BE PERMANENTLY MARKED WITH CODE IDENT. NO. AND PART NO. LESS RING DESIGNATOR (E.G.: 06090-XXXXXXX-XXXXX).
4. ADAPTER MATES TO MIL-C-81703, SERIES III, MS3424, MS3446, MS3464, MS3467, MS3468, CLASS E AND L.
5. ADAPTER MATES TO MIL-C-5015G, MS3400 SERIES, CLASS D, E, K, L, U & W; MS3400 MS3401, MS3404, MS3406, MS3450, MS3451, MS3454, MS3456, MS3470, MS3471, MS3472, MS3474, MS3475, MS3476. MIL-C-83723, SERIES II, CLASS A & L. MIL-C-83723, /14, /36, /37, /38, /39, /40, /41, /42, /43, /48, /49, /65, /66, /67, /68, /69, /70, /71, /72, /73, /74, /75, /76, /77, /78, /82, /83, /84, /85, /86, /87, /91, /92, /95, /97, /98.(MS3155 CONTROLLED INTERFACE).
6. INSTALLATION PROCEDURE MIP-103.
7. PERFORMANCE SPECIFICATION MPS-103.
8. FOR ADDITIONAL ORDERING INFORMATION SEE CH00-0250-019.

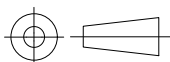
RELEASED FOR PUBLICATION

ALL RIGHTS RESERVED.

TE Connectivity Ltd.

THIS DRAWING IS UNPUBLISHED.

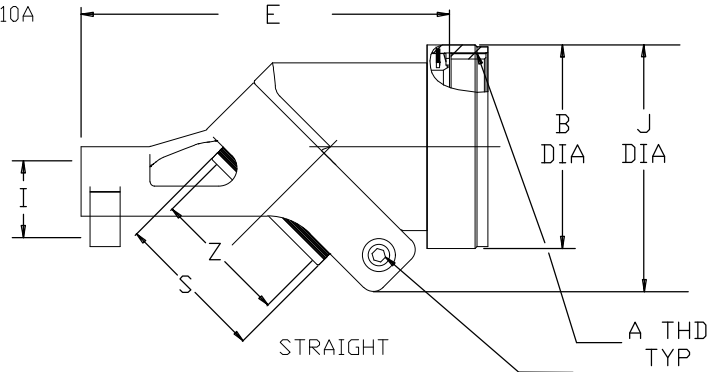
DIMENSIONS: mm	DWN C.C.THOMAS	18JUN2019	MATERIAL -	FINISH -	
	CHK O.CANO	6-18-19	 TE Connectivity		
TOLERANCES UNLESS OTHERWISE SPECIFIED:	APVD O.CANO	6-18-19			NAME SPIN LOCK ADAPTER CODE 54
	PRODUCT SPEC	-	SIZE A4	CAGE CODE 06090	
0 PLC ± -	APPLICATION SPEC	-	SCALE NTS		
1 PLC ± -	WEIGHT	0	SHEET 1 OF 3		
2 PLC ± -	CUSTOMER DRAWING		REV C		
3 PLC ± -					
4 PLC ± -					
ANGLES ± -					



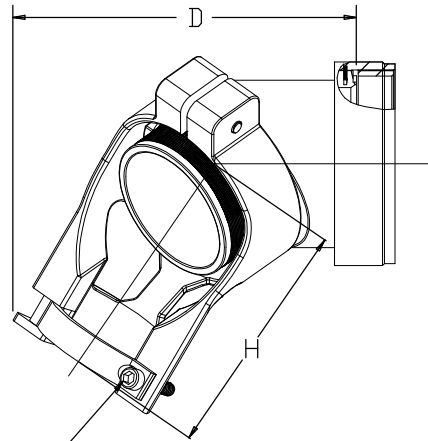
REVISIONS

P	LTR	DESCRIPTION	DATE	DWN	APVD
-	-	SEE SHEET 1	-	-	-

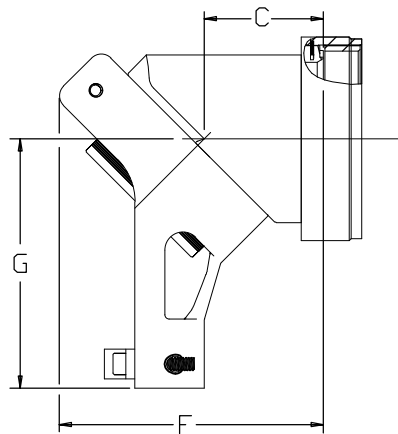
e.g SLC 54AB - 1610A



SCREW
4-40 UNC



CLAMP SCREW
SEE TABLE ON SHEET 3
FOR DETAILS



AT 90 DEGREE

RELEASED FOR PUBLICATION

ALL RIGHTS RESERVED.

THIS DRAWING IS UNPUBLISHED.

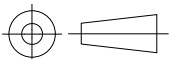
© COPYRIGHT - TE Connectivity Ltd.

DIMENSIONS:

mm

TOLERANCES UNLESS OTHERWISE SPECIFIED:

0 PLC	± -
1 PLC	± -
2 PLC	± -
3 PLC	± -
4 PLC	± -
ANGLES	± -



DWN	C.C.THOMAS	18JUN2019
CHK	O.CANO	6-18-19
APVD	O.CANO	6-18-19
PRODUCT SPEC	-	
APPLICATION SPEC	-	
WEIGHT	0	

MATERIAL

-

FINISH

-



TE Connectivity

NAME

SPIN LOCK ADAPTER
CODE 54

SIZE

A4

CAGE CODE

06090

DRAWING NO

C-SLC54

RESTRICTED TO

-

CUSTOMER DRAWING

SCALE

NTS

SHEET

2 OF 3

REV

C

REVISIONS

P	LTR	DESCRIPTION	DATE	DWN	APVD
-	-	SEE SHEET 1	-	-	-

TABLE I

ORDER NO.	SHELL SIZE		AVAILABLE ENTRY SIZES		A METRIC CLASS THD 6H	B DIA MAX	C MAX DIM	D MAX DIM	E MAX DIM	F MAX DIM	CLAMP SCREW
	4	5	SMALL	LARGE							
08		8 & 8S	04	-	.500*-20 UNF	.610	.61 [15.49]	1.61 [40.89]	1.73 [43.94]	1.23 [31.24]	1-64 UNC
10		10, 10S & 10SL	04	06	.625*-24 UNEF	.728	.55 [13.97]	1.62 [41.14]	1.79 [45.46]	1.24 [31.49]	1-64 UNC
12	7	12 & 12S	06	08	.750*-20 UNEF	.856	.73 [18.54]	1.80 [45.72]	2.03 [51.46]	1.42 [36.06]	1-64 UNC
14	12	14 & 14S	08	10	.875*-20 UNEF	.964	.97 [24.63]	2.10 [53.34]	2.34 [59.43]	1.77 [44.95]	5-40 UNC
16	19	16 & 16S	10	12	1.000*-20 UNEF	1.082	1.04 [26.41]	2.20 [55.88]	2.50 [63.5]	1.92 [48.76]	5-40 UNC
18	27	18	10	14	1.062*-18 UNEF	1.161	.85 [21.59]	2.30 [58.42]	2.49 [63.24]	1.80 [45.95]	5-40 UNC
20	37	20	12	16	1.188*-18 UNEF	1.338	1.16 [29.46]	2.50 [63.5]	2.83 [71.88]	2.16 [54.86]	5-40 UNC
22		22	14	18	1.312*-18 UNEF	1.466	1.14 [28.95]	2.60 [66.04]	3.09 [78.48]	2.19 [55.62]	5-40 UNC
24		24	16	20	1.438*-18 UNEF	1.592	1.13 [28.70]	2.80 [71.12]	3.08 [78.23]	2.23 [56.64]	5-40 UNC

TABLE II

ORDER NO.	G MAX DIM	H MAX DIM	I MAX DIM	J MAX DIM
08	1.12 [28.44]	1.05 [26.67]	.34 [8.63]	0.929 [23.59]
10	1.24 [31.49]	1.10 [27.94]	.32 [8.12]	0.992 [25.19]
12	1.30 [33.02]	1.20 [30.48]	.38 [9.65]	1.108 [28.14]
14	1.37 [34.79]	1.15 [29.21]	.48 [12.19]	1.274 [32.35]
16	1.46 [37.08]	1.20 [30.48]	.56 [14.22]	1.505 [38.22]
18	1.64 [41.65]	1.15 [29.21]	.50 [12.7]	1.622 [41.19]
20	1.67 [42.41]	1.20 [30.48]	.59 [14.98]	1.671 [42.44]
22	1.95 [49.53]	1.20 [30.48]	.59 [14.98]	1.810 [45.97]
24	1.95 [49.53]	1.20 [30.48]	.64 [16.25]	1.905 [48.38]

TABLE III

MAX ENTRY SIZE TYPE I	S DIA	Z +.010 -0.020
04	.376 [9.55] .370 [9.40]	.250 [6.35]
06	.501 [12.73] .495 [12.57]	.375 [9.53]
08	.626 [15.90] .619 [15.72]	.500 [12.70]
10	.752 [19.10] .742 [18.85]	.625 [15.88]
12	.877 [22.28] .867 [22.02]	.750 [19.05]
14	1.002 [25.45] .991 [25.17]	.875 [22.23]
16	1.127 [28.63] 1.116 [28.35]	1.000 [25.40]
18	1.252 [31.80] 1.241 [31.52]	1.125 [28.58]
20	1.377 [34.98] 1.366 [34.70]	1.250 [31.75]

RELEASED FOR PUBLICATION

ALL RIGHTS RESERVED.

THIS DRAWING IS UNPUBLISHED.

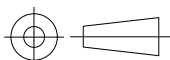
TE Connectivity Ltd.

DIMENSIONS:

mm

TOLERANCES UNLESS OTHERWISE SPECIFIED:

- 0 PLC ± -
- 1 PLC ± -
- 2 PLC ± -
- 3 PLC ± -
- 4 PLC ± -
- ANGLES ± -



DWN C.C.THOMAS 18JUN2019	MATERIAL -	FINISH -
CHK O.CANO 6-18-19	TE Connectivity	
APVD O.CANO 6-18-19		
PRODUCT SPEC -	NAME SPIN LOCK ADAPTER CODE 54	
APPLICATION SPEC -	SIZE A4	CAGE CODE 06090
WEIGHT 0	DRAWING NO C-SLC54	RESTRICTED TO -
CUSTOMER DRAWING		SCALE NTS
		SHEET 3 OF 3
		REV C

X-ON Electronics

Largest Supplier of Electrical and Electronic Components

Click to view similar products for [Circular MIL Spec Backshells](#) category:

Click to view products by [TE Connectivity](#) manufacturer:

Other Similar products are found below :

[5M2919-3DW](#) [5M2920-3CW](#) [5M2953-1HW](#) [60-036152-022](#) [610HS012M15](#) [M28840/504WA](#) [M28840/805WB](#) [M28840/809WA](#)
[M28840/815WA](#) [M28840/816WA](#) [627AS017M14](#) [62GB5851608S](#) [655HS002NF11](#) [CW3703-000](#) [CW3899-000](#) [M85049/10-134S](#)
[M85049/10-17S](#) [M85049/10-33S](#) [M85049/10-94W](#) [M85049/11-09W](#) [M85049/11-28N](#) [M85049/11-37N](#) [M85049/11-53N](#) [M85049/11-63N](#)
[M85049/118-20W](#) [M85049/124-23W](#) [M85049/124S09W](#) [M85049/126S23W](#) [M850491712W02](#) [M85049/1720N04B](#) [M85049/1817N06](#)
[M850491819W03](#) [M85049/1821W05C](#) [M85049/1825W06C](#) [M85049/1919N05](#) [M85049/1919W04](#) [M850491919W07](#) [M85049/23-59W](#)
[M85049/23-74W](#) [M8504924-5W](#) [M85049/24-71N](#) [M85049/25-47N](#) [M85049/25-94W](#) [M85049/27S12N](#) [M8504938-13S](#) [M85049/38-19S](#)
[M85049/39-11S](#) [M85049/39-17S](#) [M85049/39-9S](#) [M85049/3W4A2](#)