

THIS DRAWING IS UNPUBLISHED. RELEASED FOR PUBLICATION
 © COPYRIGHT BY TYCO ELECTRONICS CORPORATION. ALL RIGHTS RESERVED.

LOC		DIST		REVISIONS			
P	LTR	DESCRIPTION		DATE	DWN	APVD	
	B2	REVISED PER ECO-09-008293		03APR09	HMR	MW	

SPECIFICATIONS:
 BREAK BEFORE MAKE

MATERIALS:

FRAME: STEEL,ZINC PLATE
 ACTUATOR: PBT,UL94V0, SEE P/N TABLE
 TERMINAL/FIXED CONTACT: COPPER ALLOY, AG OVER NI
 OR AU OVER NI PLATE.
 MOVING CONTACT: COPPER ALLOY, AG OVER NI
 OR AU OVER NI PLATE
 TERMINAL BOARD: PHENOLIC, UL94HB
 COIL SPRING: CARBON STEEL WIRE

ELECTRICAL:

CONTACT RATING, 250MILLIAMPS @ 125V AC,
 150MILLIAMPS @ 12V DC
 CONTACT RESISTANCE, 30 MILLIOHMS MAX (INITIAL),
 60 MILLIOHMS AFTER TEST
 INSULATION RESISTANCE: 500 MEGOHMS MIN.
 DIELECTRIC STRENGTH: 500 VOLTS RMS @SEA LEVEL
 LIFE EXPECTANCY: 10,000 CYCLES MIN. NO LOAD,
 6,000 AT RATED CURRENT.

MECHANICAL:

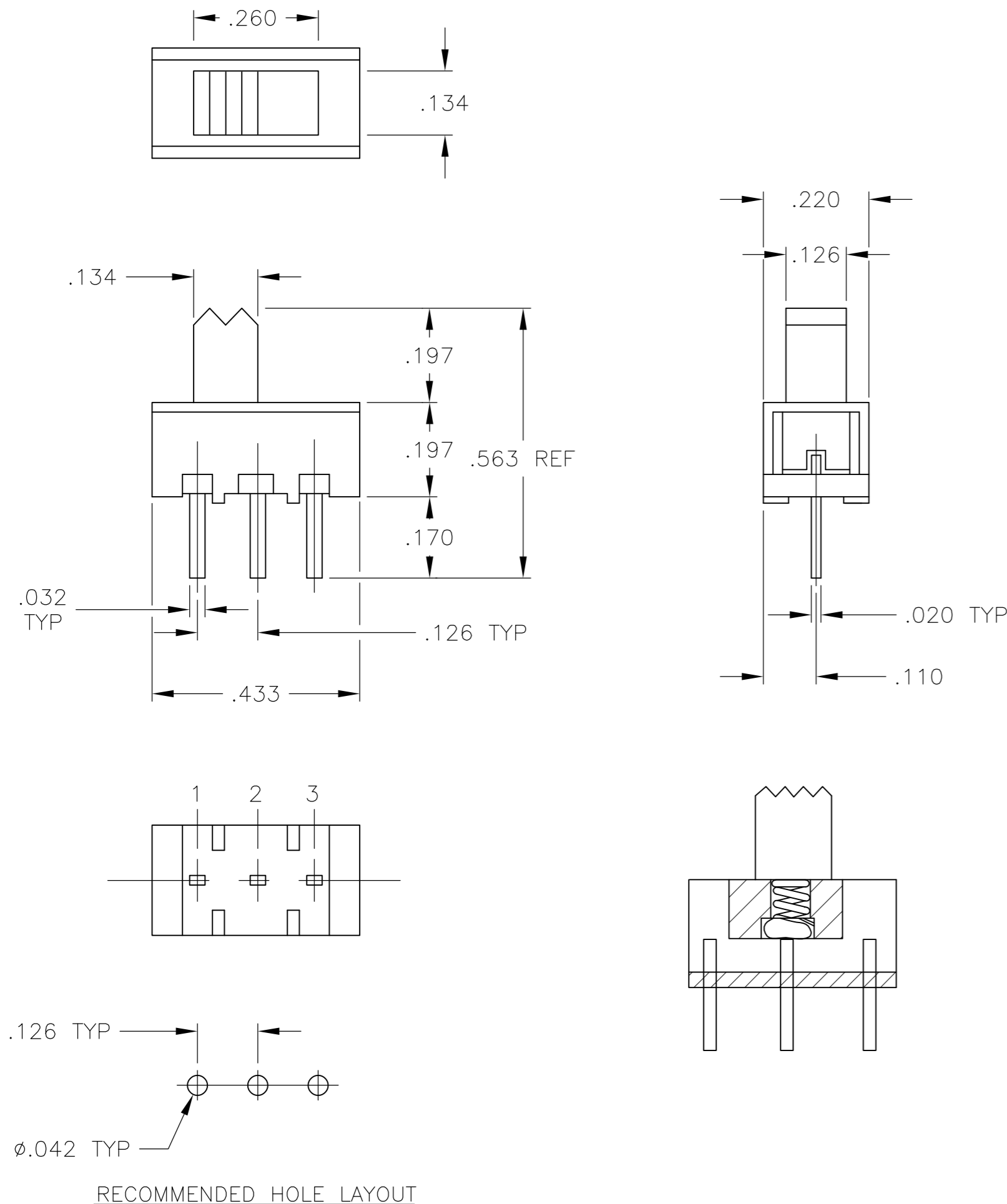
ACTUATION FORCE, 250 +150/-100 GRAMS
 TRAVEL, .126 (3.20)

ENVIRONMENTAL:

OPERATING TEMPERATURE: -10°C TO +85°C
 STORAGE TEMPERATURE: -10°C TO +85°C
 RESISTANCE TO SOLDER HEAT, 260°C FOR 10 SEC
 PER 109-202, CONDITION B
 SOLDERABILITY PER EIA-364-56A, PROCEDURE 3,
 CONDITION B

- ALL MATERIALS AND FINISHES SHALL COMPLY WITH EU DIRECTIVE 2002/95/EC OF 27 JAN2003 (ROHS)
- ALL PERFORMANCE SPECIFICATIONS WERE TESTED IN ACCORDANCE WITH JIS-C-5441 UNLESS OTHERWISE STATED.

ACTUATOR POSITION	ACTUATOR COLOR	FINISH	TYPE	ALCO P/N	PART NO.
1,2	2,3	NATURAL	GOLD	SPDT	SLS121NPCG04 1825115-4
1,2	2,3	NATURAL	SILVER	SPDT	SLS121NPC04 1825115-3
1,2	2,3	BLACK	GOLD	SPDT	SLS121PCG04 1825115-2
1,2	2,3	BLACK	SILVER	SPDT	SLS121PCG04 1825115-1



THIS DRAWING IS A CONTROLLED DOCUMENT.

DWN	B S VISWESWARA	01MAR05
CHK	M S SARVER	-
APVD	-	-

Tyco Electronics Tyco Electronics Corporation
 Harrisburg, Pa 17105-3608

SLIDE SWITCH, SPDT
 (SLS121PC & SLS121PCG)

SIZE	CAGE CODE	DRAWING NO	RESTRICTED TO
A2	00779	C=1825115	-

CUSTOMER DRAWING SCALE 4:1 SHEET 1 OF 1 REV B2

1825115

X-ON Electronics

Largest Supplier of Electrical and Electronic Components

Click to view similar products for [Slide Switches](#) category:

Click to view products by [TE Connectivity](#) manufacturer:

Other Similar products are found below :

[6-1437581-1](#) [M43R](#) [MHS123K15D](#) [MHS133K](#) [MHSS1104A](#) [MMD](#) [GH49S010001](#) [MSS12A](#) [EPS1PC1](#) [1825074-1](#) [1825160-3](#) [1825167-2](#)
[1825289-7](#) [25139NLDB](#) [25449NAH](#) [SLB1240R45](#) [1825078-1](#) [1825080-4](#) [1825269-1](#) [1825270-2](#) [STS141RA04](#) [T2215BEN506](#)
[GH46P000001](#) [GH46W000001](#) [GH49P010001](#) [25339NA](#) [M42A](#) [TG36P000000](#) [TG36P000050](#) [AYZ0202AG](#) [47227LFE](#) [49331L](#) [50208L](#)
[L203091MS02Q](#) [4-1437581-7](#) [X2225CR-437W](#) [49329L](#) [1101M1S3ZB8E2](#) [1-1437581-1](#) [MSS2225G04](#) [TG39W000000](#) [1825075-1](#)
[MSS42G](#) [TG36WS80065](#) [T105S1CWZBE](#) [SLB124145](#) [SLB1280R5](#) [SLB1340R45](#) [25136NLDB](#) [TG39W000050](#)