

LOC	DIST	REVISIONS			
P	LTR	DESCRIPTION	DATE	DWN	APVD
AD	00	B3	REVISED PER ECO-11-004820	11MAR11	RK HMR

SPECIFICATIONS:
 BREAK BEFORE MAKE

MATERIALS:

FRAME: STEEL,ZINC PLATE
 ACTUATOR: PBT, UL94V0, FINISH: SEE TABLE

TERMINAL/FIXED CONTACT: COPPER ALLOY, AG OVER NI
 OR AU OVER NI PLATE.

MOVING CONTACT: COPPER ALLOY, AG OVER NI
 OR AU OVER NI PLATE

TERMINAL BOARD: PHENOLIC, UL94HB
 SPRING: CARBON STEEL WIRE

ELECTRICAL:

CONTACT RATING, 250MILLIAMP @ 125V AC,
 150MILLIAMP @ 12V DC
 CONTACT RESISTANCE, 30 MILLIOHMS MAX (INITIAL),
 60 MILLIOHMS AFTER TEST
 INSULATION RESISTANCE: 500 MEGOHMS MIN.
 DIELECTRIC STRENGTH: 500 VOLTS RMS @SEA LEVEL
 LIFE EXPECTANCY: 10,000 CYCLES MIN. NO LOAD,
 6,000 AT RATED CURRENT.

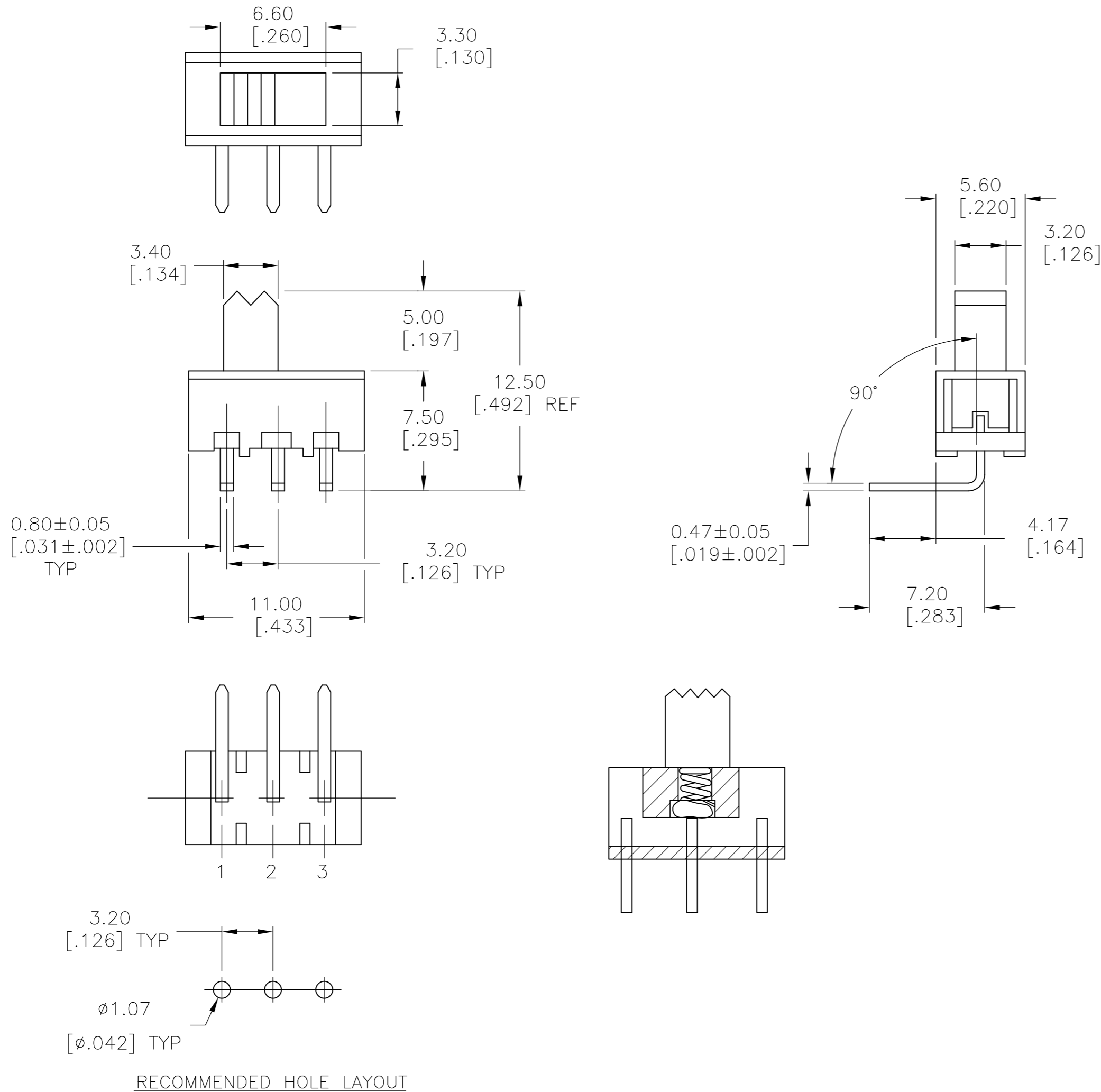
MECHANICAL:

ACTUATION FORCE, 250 +150/-100 GRAMS
 TRAVEL, 3.20(.126)

ENVIRONMENTAL:

OPERATING TEMPERATURE: -10°C TO +85°C
 STORAGE TEMPERATURE: -10°C TO +85°C
 RESISTANCE TO SOLDER HEAT, 260°C FOR 10 SEC
 PER 109-202, CONDITION B
 SOLDERABILITY PER EIA-364-56A, PROCEDURE 3,
 CONDITION B

- 1 ALL MATERIALS AND FINISHES SHALL COMPLY WITH EU DIRECTIVE 2002/95/EC OF 27 JAN2003 (ROHS)
- 2 ALL PERFORMANCE SPECIFICATIONS WERE TESTED IN ACCORDANCE WITH JIS-C-5441 UNLESS OTHERWISE STATED.



NATURAL	GOLD	1-2	2-3	SLS121NRAG04	1825116-3
NATURAL	SILVER	1-2	2-3	SLS121NRA04	1825116-2
BLACK	SILVER	1-2	2-3	SLS121RA04	1825116-1
		LEFT	RIGHT		
ACTUATOR FINISH	FINISH	ACTUATOR POSITION		ALCO P/N	PART NO

THIS DRAWING IS A CONTROLLED DOCUMENT.		DWN B S VISWESWARA	01MAR05		
DIMENSIONS: mm [INCHES]		CHK M S SARVER	TE Connectivity		
TOLERANCES UNLESS OTHERWISE SPECIFIED:		APVD -	SLIDE SWITCH, SPDT, RIGHT ANGLE (SLS121RA)		
0 PLC ± -		PRODUCT SPEC -	SIZE A2	CAGE CODE 00779	DRAWING NO 1825116
1 PLC ± -		APPLICATION SPEC -	RESTRICTED TO		
2 PLC ± 0.25[.010]		WEIGHT -	-		
3 PLC ± -		CUSTOMER DRAWING			
4 PLC ± -		SCALE 1:1 SHEET 1 OF 1 REV B3			
ANGLES ± -					
FINISH -					

X-ON Electronics

Largest Supplier of Electrical and Electronic Components

Click to view similar products for [Slide Switches](#) category:

Click to view products by [TE Connectivity](#) manufacturer:

Other Similar products are found below :

[6-1437581-1](#) [M43R](#) [MHS123K15D](#) [MHS133K](#) [MHSS1104A](#) [MMD](#) [GH49S010001](#) [MSS12A](#) [EPS1PC1](#) [1825074-1](#) [1825160-3](#) [1825167-2](#)
[1825289-7](#) [25139NLDB](#) [25449NAH](#) [SLB1240R45](#) [1825078-1](#) [1825080-4](#) [1825269-1](#) [1825270-2](#) [STS141RA04](#) [T2215BEN506](#)
[GH46P000001](#) [GH46W000001](#) [GH49P010001](#) [25339NA](#) [M42A](#) [TG36P000000](#) [TG36P000050](#) [AYZ0202AG](#) [47227LFE](#) [49331L](#) [50208L](#)
[L203091MS02Q](#) [4-1437581-7](#) [X2225CR-437W](#) [49329L](#) [1101M1S3ZB8E2](#) [1-1437581-1](#) [MSS2225G04](#) [TG39W000000](#) [1825075-1](#)
[MSS42G](#) [TG36WS80065](#) [T105S1CWZBE](#) [SLB124145](#) [SLB1280R5](#) [SLB1340R45](#) [25136NLDB](#) [TG39W000050](#)