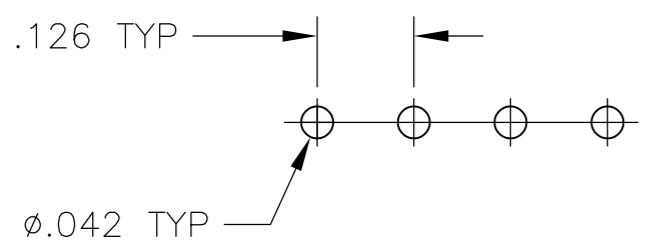
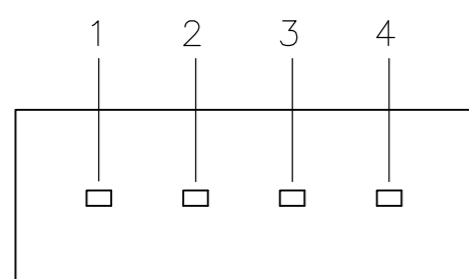
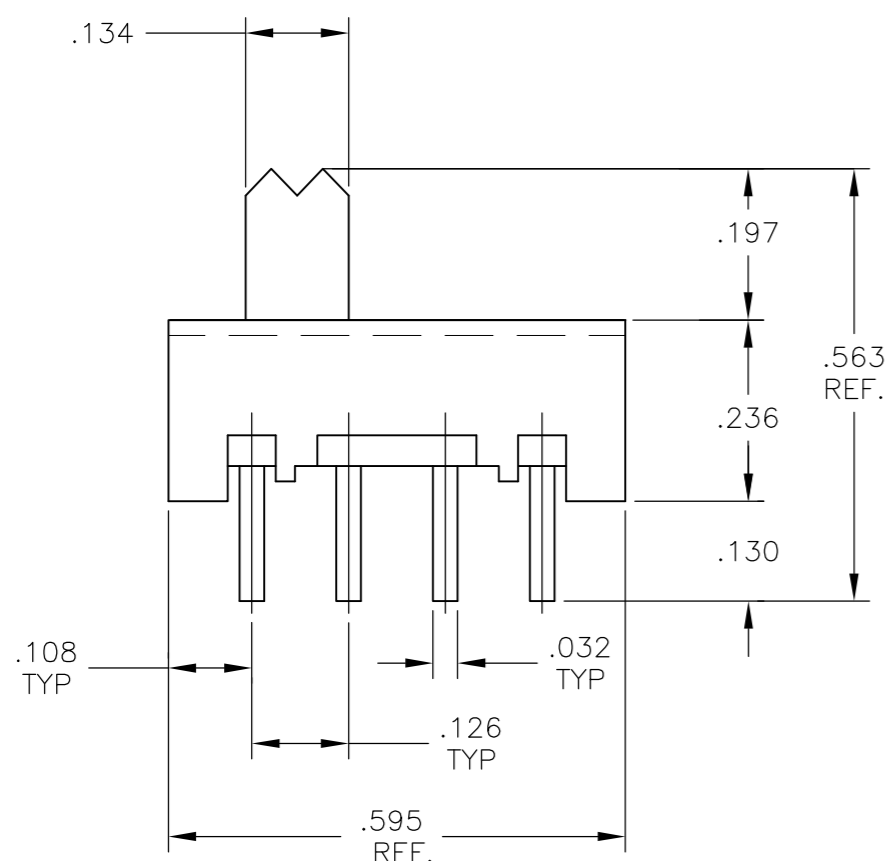
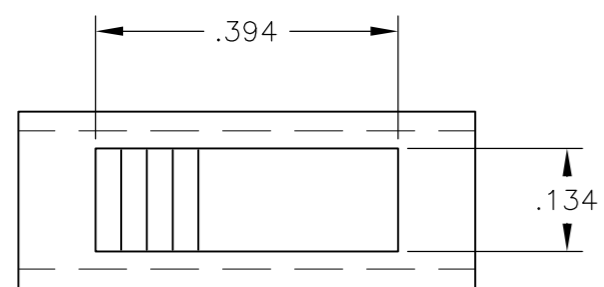
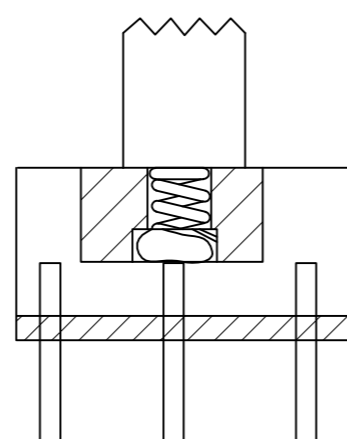
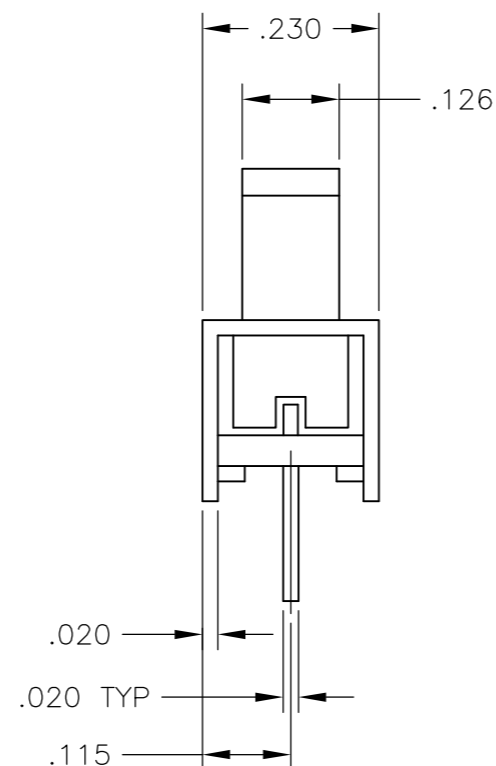


THIS DRAWING IS UNPUBLISHED. RELEASED FOR PUBLICATION
 © COPYRIGHT BY TYCO ELECTRONICS CORPORATION. ALL RIGHTS RESERVED.

LOC		DIST		REVISIONS			
P	LTR	DESCRIPTION	DATE	DWN	APVD		
	A1	REVISED PER ECO-09-020130	02SEP09	HMR	MW		



RECOMMENDED HOLE LAYOUT



SPECIFICATIONS:
 BREAK BEFORE MAKE

MATERIALS:

FRAME: STEEL,ZINC PLATE
 ACTUATOR PBT,UL94HB,BLACK
 TERMINAL/FIXED CONTACT: COPPER ALLOY, AG OVER NI OR AU OVER NI PLATE.
 TERMINAL BOARD: PHENOLIC, UL94HB
 COIL SPRING: CARBON STEEL WIRE
 ELECTRICAL:
 CONTACT RATING, 250MILLIAMP @ 25V AC, 150MILLIAMP @ 12V DC
 CONTACT RESISTANCE, 30 MILLIOHMS MAX (INITIAL), 60 MILLIOHMS AFTER TEST
 INSULATION RESISTANCE: 500 MEGOHMS MIN.
 DIELECTRIC STRENGTH: 500 VOLTS RMS @ SEA LEVEL
 LIFE EXPECTANCY: 10,000 CYCLES MIN. NO LOAD 6,000 AT RATED CURRENT.

MECHANICAL:

ACTUATION FORCE, 250 +150/-100 GRAMS
 TRAVEL, .126 (3.20)

ENVIRONMENTAL:

OPERATING TEMPERATURE: -10°C TO +85°C
 STORAGE TEMPERATURE: -10°C TO +85°C
 RESISTANCE TO SOLDER HEAT, 260°C FOR 10 SEC PER 109-202, CONDITION B
 SOLDERABILITY PER EIA-364-52, CLASS 2 CAT.1 95% COVERAGE

NOTE:

- ALL MATERIALS AND FINISHES SHALL COMPLY WITH EU DIRECTIVE 2002/95/EC OF 27 JAN2003 (ROHS)
- ALL PERFORMANCE SPECIFICATIONS WERE TESTED IN ACCORDANCE WITH JIS-C-5441 UNLESS OTHERWISE STATED.

1-2	2-3	3-4		
			SLS131PC04	1825117-1
LEFT	MID	RIGHT	ALCO PART NO.	TE PART NO.
ACTUATOR POSITION				

THIS DRAWING IS A CONTROLLED DOCUMENT.		DWN 02MAR2005	Tyco Electronics Corporation	
DIMENSIONS: INCHES		CHK B S VISWESWARA	Harrisburg, Pa 17105-3608	
TOLERANCES UNLESS OTHERWISE SPECIFIED:		M S SARVER	NAME	
0 PLC ± - 1 PLC ± - 2 PLC ± - 3 PLC ± .010 4 PLC ± - ANGLES ± - FINISH -		APVD -	SLIDE SWITCH (SLS-131PC) SP3T PC. TERMINALS	
MATERIAL SEE TABLE		PRODUCT SPEC -	SIZE A2	RESTRICTED TO -
		APPLICATION SPEC -	CAGE CODE 00779	DRAWING NO. 1825117
		WEIGHT -	SCALE 4:1	SHEET 1 OF 1
		CUSTOMER DRAWING	REV A1	

1825117

B

A

X-ON Electronics

Largest Supplier of Electrical and Electronic Components

Click to view similar products for [Slide Switches](#) category:

Click to view products by [TE Connectivity](#) manufacturer:

Other Similar products are found below :

[6-1437581-1](#) [M43R](#) [MHS123K15D](#) [MHS133K](#) [MHSS1104A](#) [MMD](#) [GH49S010001](#) [MSS12A](#) [EPS1PC1](#) [1825074-1](#) [1825160-3](#) [1825167-2](#)
[1825289-7](#) [K232CB](#) [25139NLDB](#) [25449NAH](#) [SLB1240R45](#) [1825078-1](#) [1825080-4](#) [1825269-1](#) [1825270-2](#) [STS141RA04](#) [T2215BEN506](#)
[GH46P000001](#) [GH46W000001](#) [GH49P010001](#) [25339NA](#) [M42A](#) [TG36P000000](#) [TG36P000050](#) [AYZ0202AG](#) [47227LFE](#) [49331L](#) [50208L](#)
[L203091MS02Q](#) [4-1437581-7](#) [X2225CR-437W](#) [49329L](#) [1101M1S3ZB8E2](#) [1-1437581-1](#) [MSS2225G04](#) [TG39W000000](#) [1825075-1](#)
[MSS42G](#) [TG36WS80065](#) [T105S1CWZBE](#) [SLB124145](#) [SLB1280R5](#) [SLB1340R45](#) [25136NLDB](#)