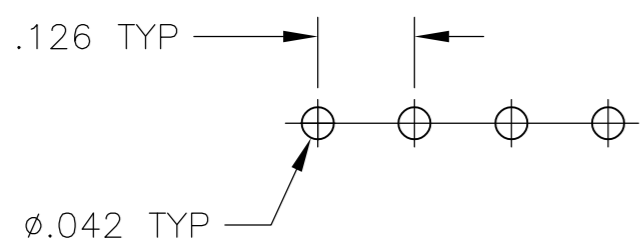
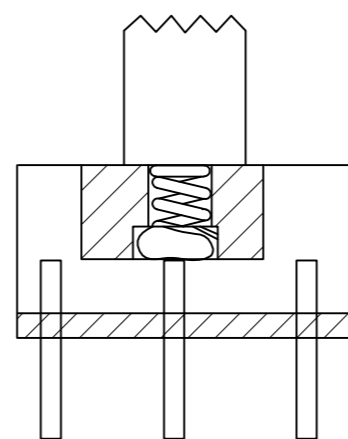
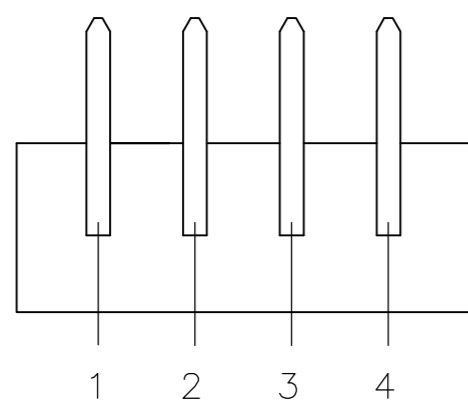
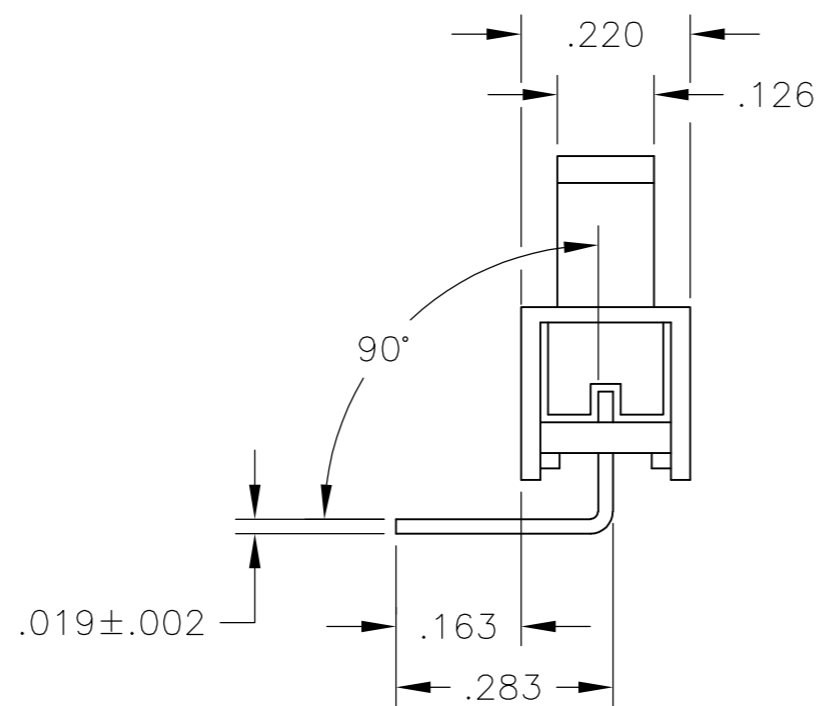
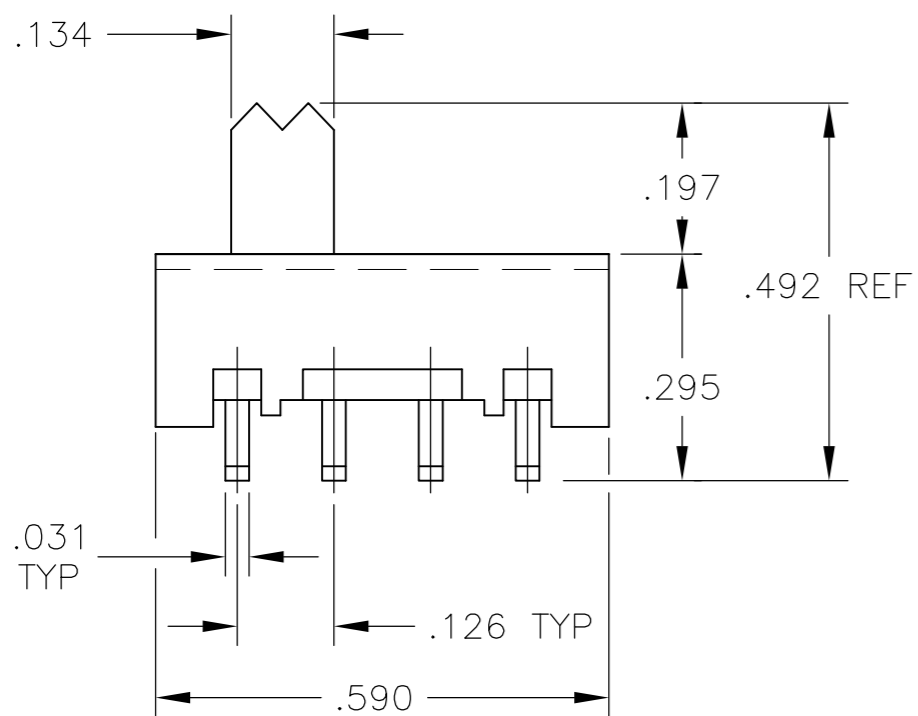
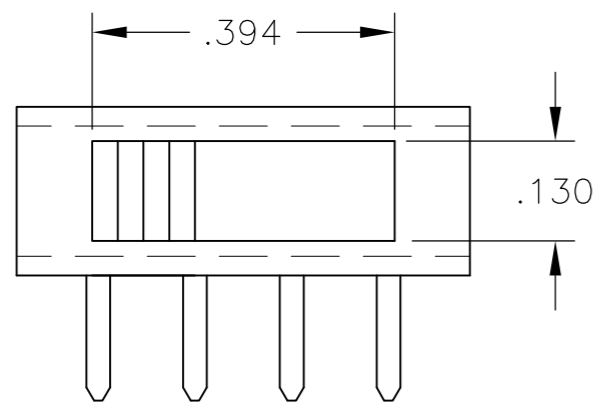


THIS DRAWING IS UNPUBLISHED. RELEASED FOR PUBLICATION  
 © COPYRIGHT - By - ALL RIGHTS RESERVED.

LOC	DIST	REVISIONS					
AD	00	P	LTR	DESCRIPTION	DATE	DWN	APVD
		A1		REVISED PER ECO-11-004917	11MAR11	RK	HMR



RECOMMENDED HOLE LAYOUT

SPECIFICATIONS:  
 BREAK BEFORE MAKE

**MATERIALS:**

FRAME: STEEL,ZINC PLATE  
 ACTUATOR: PBT,UL94HB,BLACK  
 TERMINAL/FIXED CONTACT: COPPER ALLOY, AG OVER NI  
 OR AU OVER NI PLATE.  
 MOVING CONTACT: COPPER ALLOY, AG OVER NI  
 OR AU OVER NI PLATE  
 TERMINAL BOARD: PHENOLIC, UL94HB  
 COIL SPRING: CARBON STEEL WIRE

**ELECTRICAL:**

CONTACT RATING, 250MILLIAMPS @ 125V AC,  
 150MILLIAMPS @ 12V DC  
 CONTACT RESISTANCE, 30 MILLIOHMS MAX (INITIAL),  
 60 MILLIOHMS AFTER TEST  
 INSULATION RESISTANCE: 500 MEGOHMS MIN.  
 DIELECTRIC STRENGTH: 500 VOLTS RMS @SEA LEVEL  
 LIFE EXPECTANCY: 10,000 CYCLES MIN. NO LOAD,  
 6,000 AT RATED CURRENT.

**MECHANICAL:**

ACTUATION FORCE, 250 +150/-100 GRAMS  
 TRAVEL, .126 (3.20)

**ENVIRONMENTAL:**

OPERATING TEMPERATURE: -10°C TO +85°C  
 STORAGE TEMPERATURE: -10°C TO +85°C  
 RESISTANCE TO SOLDER HEAT, 260°C FOR 10 SEC  
 PER 109-202, CONDITION B  
 SOLDERABILITY PER EIA-364-56A, PROCEDURE 3,  
 CONDITION B

**NOTE:**

- ALL MATERIALS AND FINISHES SHALL COMPLY WITH EU DIRECTIVE 2002/95/EC OF 27 JAN2003 (ROHS)
- ALL PERFORMANCE SPECIFICATIONS WERE TESTED IN ACCORDANCE WITH JIS-C-5441 UNLESS OTHERWISE STATED.

1-2	2-3	3-4	SLS131RA04	1825118-1
LEFT	MID	RIGHT	ALCO PART NO.	PART NO.
ACTUATOR POSITION				

THIS DRAWING IS A CONTROLLED DOCUMENT.		DWN B S VISWESWARA	02MAR05	
DIMENSIONS: INCHES		CHK M S SARVER	TE Connectivity	
TOLERANCES UNLESS OTHERWISE SPECIFIED:		APVD -	NAME	
0 PLC ± -		PRODUCT SPEC -	SLIDE SWITCH SP3T (SLS 131 RA)	
1 PLC ± -		APPLICATION SPEC -	SIZE A2	CAGE CODE 00779
2 PLC ± -		WEIGHT -	DRAWING NO C=1825118	RESTRICTED TO -
3 PLC ± .010		CUSTOMER DRAWING	SCALE 4:1	SHEET 1 of 1
4 PLC ± -			REV A1	
ANGLES ± -				
FINISH -				
MATERIAL SEE TABLE				

## X-ON Electronics

Largest Supplier of Electrical and Electronic Components

*Click to view similar products for [Slide Switches](#) category:*

*Click to view products by [TE Connectivity](#) manufacturer:*

Other Similar products are found below :

[6-1437581-1](#) [M43R](#) [MHS123K15D](#) [MHS133K](#) [MHSS1104A](#) [MMD](#) [GH49S010001](#) [MSS12A](#) [EPS1PC1](#) [1825074-1](#) [1825160-3](#) [1825167-2](#)  
[1825289-7](#) [K232CB](#) [25139NLDB](#) [25449NAH](#) [SLB1240R45](#) [1825078-1](#) [1825080-4](#) [1825269-1](#) [1825270-2](#) [STS141RA04](#) [T2215BEN506](#)  
[GH46P000001](#) [GH46W000001](#) [GH49P010001](#) [25339NA](#) [M42A](#) [TG36P000000](#) [TG36P000050](#) [AYZ0202AG](#) [47227LFE](#) [49331L](#) [50208L](#)  
[L203091MS02Q](#) [4-1437581-7](#) [X2225CR-437W](#) [49329L](#) [1101M1S3ZB8E2](#) [1-1437581-1](#) [MSS2225G04](#) [TG39W000000](#) [1825075-1](#)  
[MSS42G](#) [TG36WS80065](#) [T105S1CWZBE](#) [SLB124145](#) [SLB1280R5](#) [SLB1340R45](#) [25136NLDB](#)