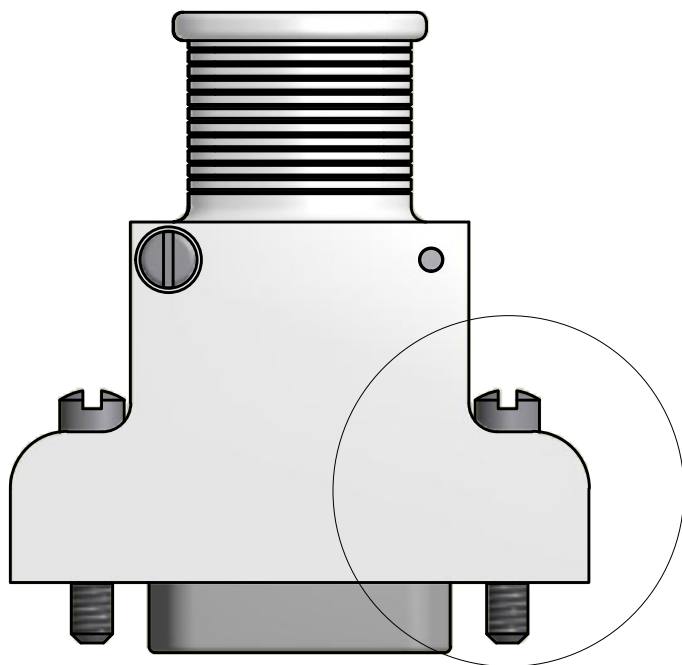
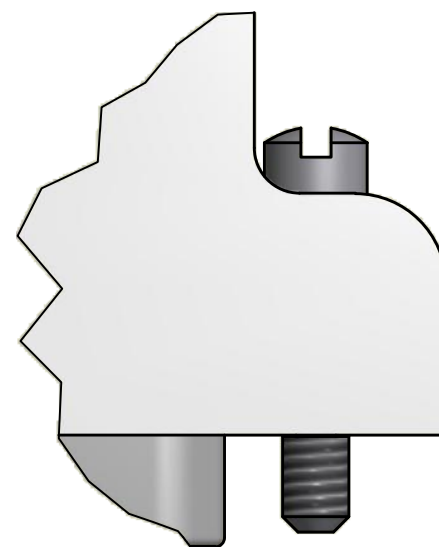


SLOTTED HEAD SCREW OPTION



SLOTTED HEAD SCREW OPTION

DRAWN	DIW	DATE 12/07/2004	3RD ANGLE PROJECTION NOT TO SCALE	POLAMCO LTD WESTON LOCK LOWER BRISTOL ROAD BATH BA2 1EP	PAGE 1	UNLESS OTHERWISE SPECIFIED ALL DIMENSIONS IN MILLIMETRES	
SALES APPR							
DESIGN APPR			THIS DRAWING IS COPYRIGHT AND THE PROPERTY OF POLAMCO LTD IT MUST NOT BE COPIED, USED FOR MANUFACTURE OR OTHERWISE DISCLOSED WITHOUT PRIOR WRITTEN CONSENT OF THE COMPANY.	ASSY USED ON: MIL-C-83513	MATERIAL		
QUAL APPR					NCAGE CODE U5792		
ISSUE 2	DCR 4291				TITLE: SMD TYPE	DRAWING NO: P10475	
WEIGHT	GENERAL TOL LINEAR +/-0.1MM ANGULAR +/- 1°				PART NUMBER: SMD-**-**-1-**-**		

EXAMPLE PART NU	
SMD =	POLAMCO SERIES
21 =	SHELL SIZE (SEE TABLE 1)
06 =	ENTRY SIZE (SEE TABLE 2)
1 =	MATERIAL: SEE MATERIAL AND PLATING OPTIONS SHEET
C =	PLATING: SEE MATERIAL AND PLATING OPTIONS SHEET
SL =	SLOTTED HEAD SCREW OPTION (OMIT FOR EXTENDED KNURLED SCREW)

TABLE 1 SHELL SIZE	A	B	C	D THREAD	E	F	G	MAX ENTRY
09	23,0	9,6	14,35	2-56	16,7	27,8	4,1	05
15	26,8	9,6	18,16	2-56	18,2	29,3	4,8	06
21	30,6	9,6	21,97	2-56	19,1	30,2	5,6	09
25	33,2	9,6	24,51	2-56	20,6	31,7	6,6	11
31	37,0	9,6	28,32	2-56	21,4	32,5	7,0	14
37	40,8	9,6	32,13	2-56	23,0	34,1	7,2	16
51	39,5	10,7	30,86	2-56	24,6	35,7	8,9	16
100	58,0	13,7	45,72	4-40	26,2	37,3	12,4	16

TABLE 2 ENTRY SIZE	H
04	6,4
05	7,9
06	9,5
07	11,1
08	12,7
09	14,3
10	15,9
11	17,5
12	19,1
13	20,6
14	22,2
15	23,8
16	25,4

DRAWN	DIW	DATE 12/07/2004	 3RD ANGLE PROJECTION NOT TO SCALE	 POLAMCO LTD WESTON LOCK LOWER BRISTOL ROAD BATH BA2 1EP	PAGE 2	UNLESS OTHERWISE SPECIFIED ALL DIMENSIONS IN MILLIMETRES
SALES APPR						
DESIGN APPR			THIS DRAWING IS COPYRIGHT AND THE PROPERTY OF POLAMCO LTD IT MUST NOT BE COPIED, USED FOR MANUFACTURE OR OTHERWISE DISCLOSED WITHOUT PRIOR WRITTEN CONSENT OF THE COMPANY.	ASSY USED ON: MIL-C-83513 TITLE: SMD TYPE PART NUMBER: SMD-**-**-1-**-**	MATERIAL	
QUAL APPR						NCAGE CODE U5792
ISSUE 2	DCR 4291				GENERAL TOL LINEAR +/-0.1MM ANGULAR +/- 1°	DRAWING NO: P10475
WEIGHT						

X-ON Electronics

Largest Supplier of Electrical and Electronic Components

Click to view similar products for [D-Sub MIL Spec Connectors](#) category:

Click to view products by [TE Connectivity](#) manufacturer:

Other Similar products are found below :

[M85049/50-5F](#) [D38999/24WG11PB-LC](#) [MDM-9SH006A](#) [1218697-4](#) [D38999/26WJ61PC L/C](#) [1484349-1](#) [17D25HV](#) [1996840-1](#) [243082-15](#)
[1757682-1](#) [17D-E51218-1](#) [17SDA15S](#) [1883533-1](#) [1883886-1](#) [1883889-1](#) [192900-0377](#) [M24308/8-347](#) [M83513/03-E09C](#) [443961-3](#) [5-](#)
[1218949-1](#) [550-031NF1R6K](#) [3-1236089-2](#) [550E001NF1R3J0L](#) [550T001NF1R6K0L](#) [557T283NF5B08](#) [DB121073-56](#) [DC121073157](#)
[443869-3](#) [443869-4](#) [443869-5](#) [550S004NF1R1B0F03](#) [557E283NF1A06](#) [527-019NF0303R2K1F](#) [5-446405-1](#) [550-031NF1R2E](#)
[550E003M2R9J0F04](#) [550E003M3R9J0F05](#) [550E024M104R9J0](#) [550E024NF102R3J0B](#) [550E039NF1R3J1-02](#) [550S003M3R9B0F05](#)
[550S004M4R7M0F04](#) [550S004NF1R1B1F02](#) [550S008M3F0K0F04](#) [550S086M5R3J0L](#) [550S100NF3F0E](#) [550T001M2R7E0L](#)
[550T001NF1F0B1L](#) [550T001NF1R1K0G](#) [550T001NF1R3K0G](#)