



Wire Protection & Management > Interconnect Devices > SolderSleeve Shield Terminators



SolderSleeve Shield Terminator Product Type: **Shield Terminator**

Operating Temperature (Max): **150 °C**

Expanded Inside Diameter (Min): **2.67 mm [ .105 in ]**

Recovered Inside Diameter (Max): **.76 mm [ .03 in ]**

Pre-Installed Lead: **No**

## Features

### Product Type Features

Splice Type	Shield Terminator
Temperature Indicator	Yes
Temperature Indicator Type	Fusible Ring
SolderSleeve Shield Terminator Product Type	Shield Terminator

### Configuration Features

Pre-Installed Lead	No
--------------------	----

### Termination Features

Termination Method	Solder
--------------------	--------

### Dimensions

Overall Length	16.5 mm [.65 in]
Dielectric Outside Diameter (Max)	.75 mm [.03 in]
Shield Outside Diameter (Min)	1.4 mm [.055 in]
Jacket Outside Diameter	2.65 mm [.105 in]
Expanded Inside Diameter (Min)	2.67 mm [.105 in]
Recovered Inside Diameter (Max)	.76 mm [.03 in]

### Usage Conditions

Operating Temperature (Max)	150 °C
Resistance Properties	Immersion Protection



Wire Temperature (Max)	125 °C
------------------------	--------

### Industry Standards

MIL/NAS Specification (MIL-S-83519, NAS-1747)	No
Government Qualified	No

### Product Compliance

[For compliance documentation, visit the product page on TE.com>](#)

EU RoHS Directive 2011/65/EU	Not Compliant
EU ELV Directive 2000/53/EC	Not Compliant
China RoHS 2 Directive MIIT Order No 32, 2016	Restricted Materials Above Threshold
EU REACH Regulation (EC) No. 1907/2006	Current ECHA Candidate List: JAN 2021 (211) Candidate List Declared Against: JAN 2021 (211) SVHC > Threshold: Pb (37% in Solder) <b>Article Safe Usage Statements:</b> Do not eat, drink or smoke when using this product. Wash thoroughly after handling. Recycle if possible and dispose of the article by following all applicable governmental regulations relevant to your geographic location.
Halogen Content	Out of Scope - excluded from Halogen requirements
Solder Process Capability	Not applicable for solder process capability

#### Product Compliance Disclaimer

This information is provided based on reasonable inquiry of our suppliers and represents our current actual knowledge based on the information they provided. This information is subject to change. The part numbers that TE has identified as EU RoHS compliant have a maximum concentration of 0.1% by weight in homogenous materials for lead, hexavalent chromium, mercury, PBB, PBDE, DBP, BBP, DEHP, DIBP, and 0.01% for cadmium, or qualify for an exemption to these limits as defined in the Annexes of Directive 2011/65/EU (RoHS2). Finished electrical and electronic equipment products will be CE marked as required by Directive 2011/65/EU. Components may not be CE marked. Additionally, the part numbers that TE has identified as EU ELV compliant have a maximum concentration of 0.1% by weight in homogenous materials for lead, hexavalent chromium, and mercury, and 0.01% for cadmium, or qualify for an exemption to these limits as defined in the Annexes of Directive 2000/53/EC (ELV). Regarding the REACH Regulation, the information TE provides on SVHC in articles for this part number is based on the latest European Chemicals Agency (ECHA) 'Guidance on requirements for substances in articles' posted at this URL: <https://echa.europa.eu/guidance-documents/guidance-on-reach>

### Compatible Parts

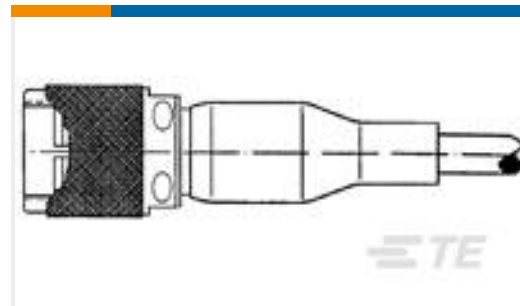


TE Part # CJ2087-000  
HL2010E-KIT-120V

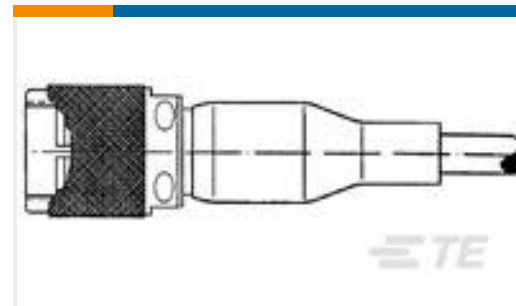
## Customers Also Bought



TE Part #132104-2  
TERMINAL RING TONGUE  
SOLISTRAN



TE Part #065039-000  
DK-3716-F221-CS



TE Part #139515-000  
DK-3716-F201-TP



TE Part #073170-000  
SO63-1-00



TE Part #1057775-1  
3152 0000 10



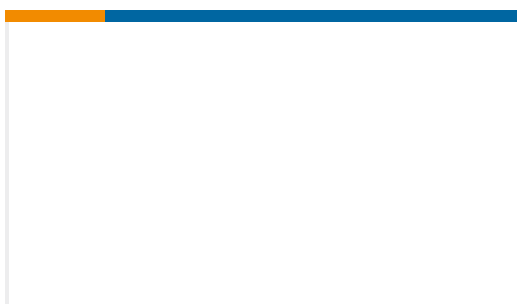
TE Part #NB14444001  
VERSAFIT-3/4-9-FSP



TE Part #0059013002  
RAY-101-20.0(50)



TE Part #100P1530-02-1-ZB  
100P1530-02-1-ZB



TE Part #100P1531-02-1-ZB  
100P1531-02-1-ZB

## Documents

### Product Drawings

[SO63-2-00](#)

English

### Datasheets & Catalog Pages

[1654025\\_Sec8\\_B-155\\_CWT\\_SO63\\_S01to03\\_SO96](#)

English

[Raychem Electrical Interconnect Products](#)

English



---

**Product Specifications**

**Product Specification**

English

## X-ON Electronics

Largest Supplier of Electrical and Electronic Components

*Click to view similar products for [Solder Sleeves & Shield Tubing](#) category:*

*Click to view products by [TE Connectivity](#) manufacturer:*

Other Similar products are found below :

[899170-000](#) [620040N001](#) [620069N003](#) [CTA-0050-01](#) [629624-000](#) [6500750004](#) [6501390002](#) [CX0781-000](#) [696396-000](#) [697080-000](#) [D-150-0331CS2902](#) [D-181-1222-90/9CS2800](#) [D-300-01CS1108](#) [715325N001](#) [908357N001](#) [982127-1](#) [D-436-0182CS246](#) [D-436-37CS2651](#) [D-436-61CS246](#) [D-436-82-CS2621](#) [D-659-0087](#) [E53797N001](#) [CB0213-000](#) [CB0219-000](#) [S200-2-01](#) [S200-4-00CS2904](#) [LSS-81-16AA-CS5575](#) [ST18-2-00](#) [FLX40-020-04-CS8651](#) [325534-000](#) [CTA-0025](#) [D-108-07CS436](#) [D-128-0010](#) [D-141-0108CS404](#) [D-144-41CS1371](#) [D-150-0231-NRCS2896](#) [D-150-1011](#) [395947-000](#) [427243N001](#) [B-801-18-01](#) [515-9](#) [C67137-000](#) [CB0220-000](#) [D-436-0185CS1102](#) [D-436-36CS2908](#) [D-436-37CS2908](#) [D-436-52CS246](#) [D-436-83CS2705](#) [D44133N001](#) [LSS-26-8A](#)