



Wire Protection & Management > Interconnect Devices > SolderSleeve Shield Terminators



SolderSleeve Shield Terminator Product Type: **Shield Terminator**

Operating Temperature (Max): **150 °C**

Expanded Inside Diameter (Min): **2.67 mm [.105 in]**

Recovered Inside Diameter (Max): **.76 mm [.03 in]**

Pre-Installed Lead: **Yes**

Features

Product Type Features

Splice Type	Shield Terminator
Temperature Indicator Type	Fusible Ring
Temperature Indicator	Yes
SolderSleeve Shield Terminator Product Type	Shield Terminator

Configuration Features

Pre-Installed Lead Type	55A0111
Pre-Installed Lead	Yes

Body Features

Lead Color	White/Black
Lead Plating Material	Tin
Lead Stranding	Stranded

Termination Features

Termination Method	Solder
--------------------	--------

Dimensions

Pre-Installed Lead Wire Size	.24 mm ²
Dielectric Outside Diameter (Max)	.75 mm[.03 in]
Shield Outside Diameter (Min)	1.4 mm[.055 in]
Overall Length	16.5 mm[.65 in]



Jacket Outside Diameter	2.65 mm[.105 in]
Expanded Inside Diameter (Min)	2.67 mm[.105 in]
Recovered Inside Diameter (Max)	.76 mm[.03 in]

Usage Conditions

Operating Temperature (Max)	150 °C
Resistance Properties	Immersion Protection
Wire Temperature (Max)	125 °C

Industry Standards

Government Qualified	No
MIL/NAS Specification (MIL-S-83519, NAS-1747)	No

Product Compliance

[For compliance documentation, visit the product page on TE.com>](#)

EU RoHS Directive 2011/65/EU	Not Compliant
EU ELV Directive 2000/53/EC	Not Compliant
China RoHS 2 Directive MIIT Order No 32, 2016	Restricted Materials Above Threshold
EU REACH Regulation (EC) No. 1907/2006	Current ECHA Candidate List: JAN 2021 (211) Candidate List Declared Against: JAN 2021 (211) SVHC > Threshold: Pb (37% in solder) Article Safe Usage Statements: Do not eat, drink or smoke when using this product. Wash thoroughly after handling. Recycle if possible and dispose of the article by following all applicable governmental regulations relevant to your geographic location.
Halogen Content	Out of Scope - excluded from Halogen requirements
Solder Process Capability	Not applicable for solder process capability

Product Compliance Disclaimer

This information is provided based on reasonable inquiry of our suppliers and represents our current actual knowledge based on the information they provided. This information is subject to change. The part numbers that TE has identified as EU RoHS compliant have a maximum concentration of 0.1% by weight in homogenous materials for lead, hexavalent chromium, mercury, PBB, PBDE, DBP, BBP, DEHP, DIBP, and 0.01% for cadmium, or qualify for an exemption to these limits as defined in the Annexes of Directive 2011/65/EU (RoHS2). Finished electrical and electronic equipment products will be CE marked as required by Directive 2011/65/EU. Components may not be CE marked. Additionally, the part numbers that TE has identified as EU ELV compliant have a maximum concentration of 0.1% by weight in homogenous materials for lead, hexavalent chromium, and mercury, and 0.01% for cadmium, or qualify for an exemption to these limits as defined in the Annexes of Directive 2000/53/EC (ELV). Regarding the REACH Regulation, the information TE provides on SVHC in articles for this part number is based on the latest European Chemicals Agency (ECHA) 'Guidance on requirements for substances in articles' posted at this URL: <https://echa.europa.eu/guidance-documents/guidance-on-reach>

Compatible Parts

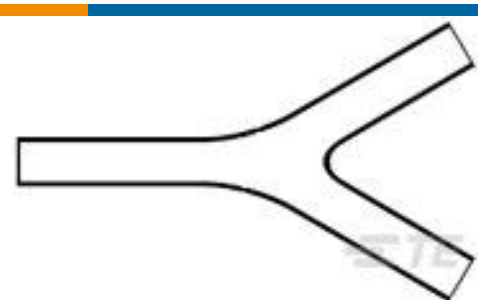


TE Part # CJ2087-000
HL2010E-KIT-120V

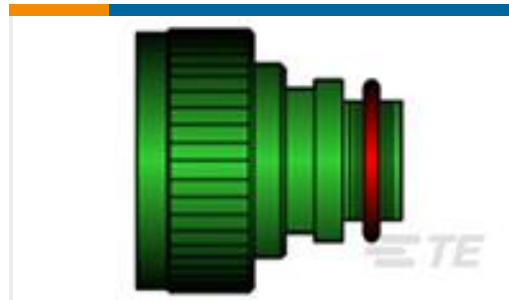
Customers Also Bought



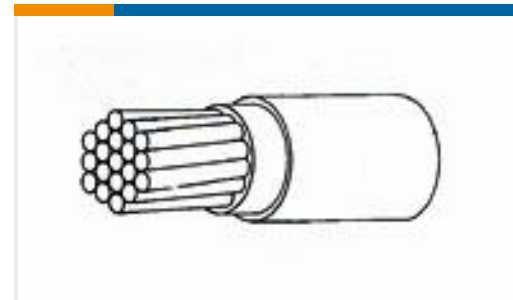
TE Part #2-320561-4
TERMINAL,PIDG R IR 14 6



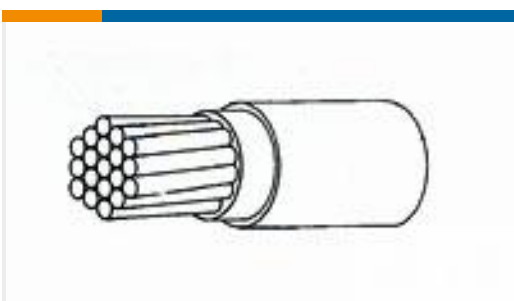
TE Part #183451-000
381A301-71/86-0



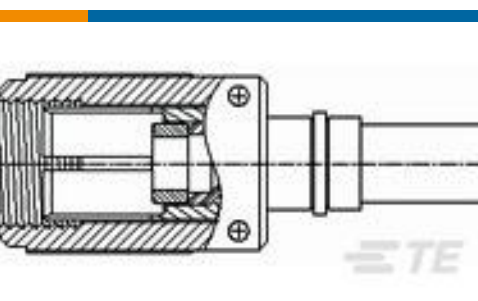
TE Part #146995-000
TXR40AB00-1410AI



TE Part #218696-001
22759/43-20-9



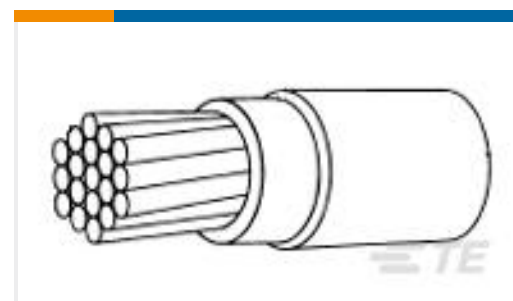
TE Part #160136-001
22759/43-22-9



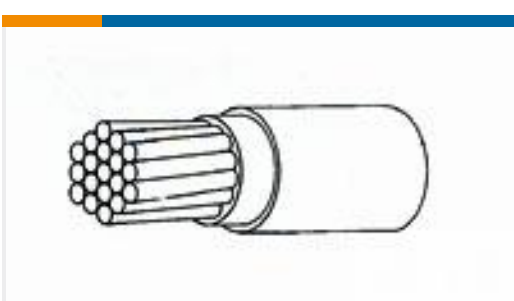
TE Part #228389-000
DK-621-0411



TE Part #174414-000
SO63-2-55-20-90



TE Part #173065-000
22759/43-01-9



TE Part #224158-000
22759/43-2-9



TE Part #YAFD57-14-19SNC012
PLUG ASSY

Documents

Product Drawings

[SO63-2-55-24-90](#)

English

Datasheets & Catalog Pages

[1654025_Sec8_B-155_CWT_SO63_S01to03_SO96](#)

English

SO63-2-55-24-90

SolderSleeve Shield Terminators, Shield Terminator, Operating Temperature (Max)
150 °C, Expanded Inside Diameter (Min) .105 in [2.67 mm]



Raychem Electrical Interconnect Products

English

X-ON Electronics

Largest Supplier of Electrical and Electronic Components

Click to view similar products for [Solder Sleeves & Shield Tubing](#) category:

Click to view products by [TE Connectivity](#) manufacturer:

Other Similar products are found below :

[899170-000](#) [620040N001](#) [620069N003](#) [CTA-0050-01](#) [629624-000](#) [6500750004](#) [6501390002](#) [CX0781-000](#) [696396-000](#) [697080-000](#) [D-150-0331CS2902](#) [D-181-1222-90/9CS2800](#) [D-300-01CS1108](#) [715325N001](#) [908357N001](#) [982127-1](#) [D-436-0182CS246](#) [D-436-37CS2651](#) [D-436-61CS246](#) [D-436-82-CS2621](#) [D-659-0087](#) [E53797N001](#) [CB0213-000](#) [CB0219-000](#) [S200-2-01](#) [S200-4-00CS2904](#) [LSS-81-16AA-CS5575](#) [ST18-2-00](#) [FLX40-020-04-CS8651](#) [325534-000](#) [CTA-0025](#) [D-108-07CS436](#) [D-128-0010](#) [D-141-0108CS404](#) [D-144-41CS1371](#) [D-150-0231-NRCS2896](#) [D-150-1011](#) [395947-000](#) [427243N001](#) [B-801-18-01](#) [515-9](#) [C67137-000](#) [CB0220-000](#) [D-436-0185CS1102](#) [D-436-36CS2908](#) [D-436-37CS2908](#) [D-436-52CS246](#) [D-436-83CS2705](#) [D44133N001](#) [LSS-26-8A](#)