



Wire Protection & Management > Interconnect Devices > SolderSleeve Shield Terminators



SolderSleeve Shield Terminator Product Type: **Shield Terminator**

Operating Temperature (Max): **175 °C**

Expanded Inside Diameter (Min): **4.32 mm [.17 in]**

Recovered Inside Diameter (Max): **1.27 mm [.05 in]**

Pre-Installed Lead: **Yes**

Features

Product Type Features

Splice Type	Shield Terminator
Temperature Indicator Type	Thermochromic
Temperature Indicator	Yes
SolderSleeve Shield Terminator Product Type	Shield Terminator

Configuration Features

Pre-Installed Lead Type	Braid Strap
Pre-Installed Lead	Yes

Body Features

Lead Plating Material	Nickel
Lead Stranding	40x38 AWG

Termination Features

Termination Method	Solder
--------------------	--------

Dimensions

Pre-Installed Lead Wire Size	.32 mm ²
Dielectric Outside Diameter (Max)	1.25 mm[.05 in]
Shield Outside Diameter (Min)	2.15 mm[.085 in]
Overall Length	16.5 mm[.65 in]
Jacket Outside Diameter	4.3 mm[.17 in]



Expanded Inside Diameter (Min)	4.32 mm [.17 in]
--------------------------------	------------------

Recovered Inside Diameter (Max)	1.27 mm [.05 in]
---------------------------------	------------------

Usage Conditions

Operating Temperature (Max)	175 °C
-----------------------------	--------

Resistance Properties	Immersion Protection
-----------------------	----------------------

Wire Temperature (Max)	150 °C
------------------------	--------

Industry Standards

Government Qualified	No
----------------------	----

MIL/NAS Specification (MIL-S-83519, NAS-1747)	No
---	----

Product Compliance

[For compliance documentation, visit the product page on TE.com>](#)

EU RoHS Directive 2011/65/EU	Compliant
------------------------------	-----------

EU ELV Directive 2000/53/EC	Compliant
-----------------------------	-----------

China RoHS 2 Directive MIIT Order No 32, 2016	No Restricted Materials Above Threshold
---	---

EU REACH Regulation (EC) No. 1907/2006	Current ECHA Candidate List: JAN 2021 (211) Candidate List Declared Against: JAN 2021 (211) Does not contain REACH SVHC
--	---

Halogen Content	BFR/CFR/PVC Free, but Br/Cl >900 ppm in other sources.
-----------------	--

Solder Process Capability	Not applicable for solder process capability
---------------------------	--

Product Compliance Disclaimer

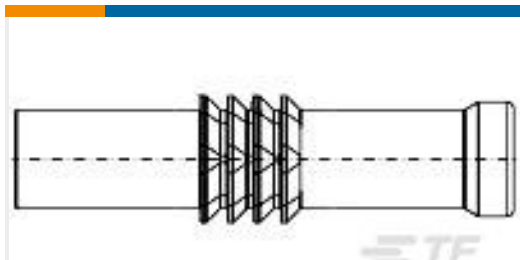
This information is provided based on reasonable inquiry of our suppliers and represents our current actual knowledge based on the information they provided. This information is subject to change. The part numbers that TE has identified as EU RoHS compliant have a maximum concentration of 0.1% by weight in homogenous materials for lead, hexavalent chromium, mercury, PBB, PBDE, DBP, BBP, DEHP, DIBP, and 0.01% for cadmium, or qualify for an exemption to these limits as defined in the Annexes of Directive 2011/65/EU (RoHS2). Finished electrical and electronic equipment products will be CE marked as required by Directive 2011/65/EU. Components may not be CE marked. Additionally, the part numbers that TE has identified as EU ELV compliant have a maximum concentration of 0.1% by weight in homogenous materials for lead, hexavalent chromium, and mercury, and 0.01% for cadmium, or qualify for an exemption to these limits as defined in the Annexes of Directive 2000/53/EC (ELV). Regarding the REACH Regulation, the information TE provides on SVHC in articles for this part number is based on the latest European Chemicals Agency (ECHA) 'Guidance on requirements for substances in articles' posted at this URL: <https://echa.europa.eu/guidance-documents/guidance-on-reach>

Compatible Parts



TE Part # CJ2087-000
HL2010E-KIT-120V

Customers Also Bought



TE Part #1811633-1
SEAL PLUG



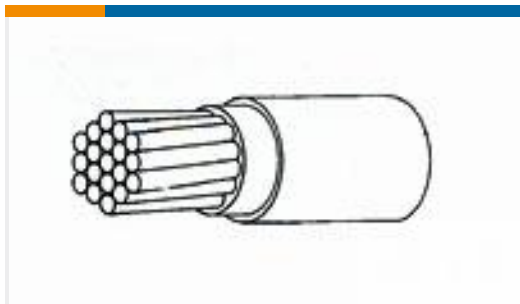
TE Part #12331-20
CONT PIN



TE Part #132104-2
TERMINAL RING TONGUE
SOLISTRAN



TE Part #2560-212-2031
CONT PIN



TE Part #218696-001
22759/43-20-9



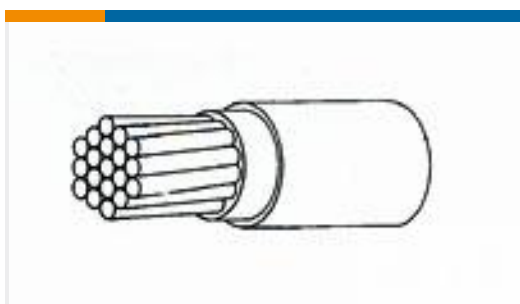
TE Part #12333-20
CONT SOC ASSY



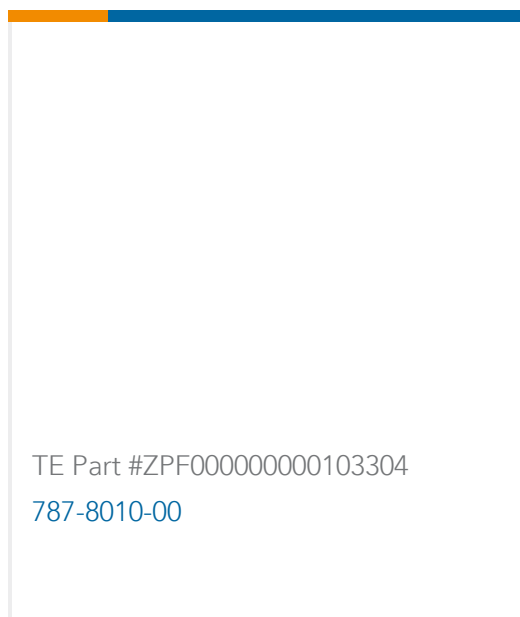
TE Part #107266-000
SO96-5-01



TE Part #12331-16
CONT PIN



TE Part #184523-000
22759/43-10-9



TE Part #ZPF000000000103304
787-8010-00

Documents

Product Drawings

[SO96-3-01](#)

English

Datasheets & Catalog Pages

[1654025_Sec8_B-155_CWT_SO63_S01to03_SO96](#)

English

[Raychem Electrical Interconnect Products](#)

English

SO96-3-01

SolderSleeve Shield Terminators, Shield Terminator, Operating Temperature (Max)
175 °C, Expanded Inside Diameter (Min) .17 in [4.32 mm]



X-ON Electronics

Largest Supplier of Electrical and Electronic Components

Click to view similar products for [Solder Sleeves & Shield Tubing](#) category:

Click to view products by [TE Connectivity](#) manufacturer:

Other Similar products are found below :

[899170-000](#) [620040N001](#) [620069N003](#) [CTA-0050-01](#) [629624-000](#) [6500750004](#) [6501390002](#) [CX0781-000](#) [696396-000](#) [697080-000](#) [D-150-0331CS2902](#) [D-181-1222-90/9CS2800](#) [D-300-01CS1108](#) [715325N001](#) [908357N001](#) [982127-1](#) [D-436-0182CS246](#) [D-436-37CS2651](#) [D-436-61CS246](#) [D-436-82-CS2621](#) [D-659-0087](#) [E53797N001](#) [CB0213-000](#) [CB0219-000](#) [S200-2-01](#) [S200-4-00CS2904](#) [LSS-81-16AA-CS5575](#) [ST18-2-00](#) [FLX40-020-04-CS8651](#) [325534-000](#) [CTA-0025](#) [D-108-07CS436](#) [D-128-0010](#) [D-141-0108CS404](#) [D-144-41CS1371](#) [D-150-0231-NRCS2896](#) [D-150-1011](#) [395947-000](#) [427243N001](#) [B-801-18-01](#) [515-9](#) [C67137-000](#) [CB0220-000](#) [D-436-0185CS1102](#) [D-436-36CS2908](#) [D-436-37CS2908](#) [D-436-52CS246](#) [D44133N001](#) [LSS-26-8A](#) [626168-000](#)