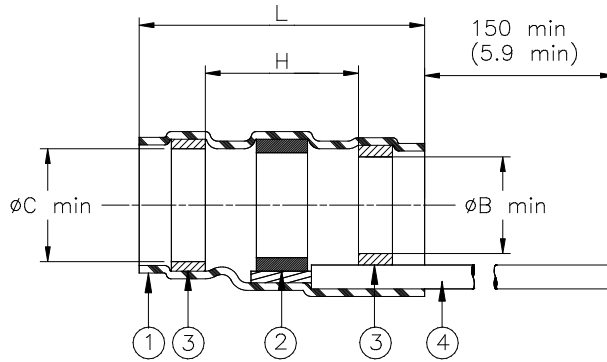


CUSTOMER DRAWING



Product Name	Ident Code	Product Dimensions				Cable Dimensions		
		L±1.75 (L±0.075)	øB min	øC min	H min	øE max	øF min	øD max
SO96-1-55-22-95	SO961R	16.5 (0.650)	1.90 (0.075)	2.67 (0.105)	8.20 (0.322)	2.67 (0.105)	0.90 (0.035)	1.90 (0.075)
SO96-2-55-22-95	SO962R	16.5 (0.650)	2.67 (0.105)	3.68 (0.145)	8.20 (0.322)	3.68 (0.145)	1.40 (0.055)	2.67 (0.105)
SO96-3-55-22-95	SO963R	16.5 (0.650)	4.32 (0.170)	5.08 (0.200)	8.20 (0.322)	5.08 (0.200)	2.15 (0.085)	4.32 (0.170)
SO96-4-55-22-95	SO964R	19.1 (0.750)	5.97 (0.235)	6.48 (0.255)	8.20 (0.322)	6.48 (0.255)	3.30 (0.130)	5.97 (0.235)
SO96-5-55-22-95	SO965R	19.1 (0.750)	6.98 (0.275)	7.62 (0.300)	8.20 (0.322)	7.62 (0.300)	4.30 (0.170)	6.98 (0.275)

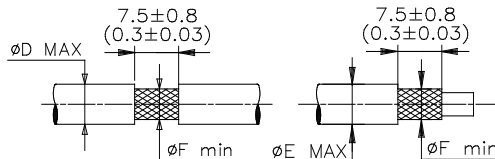
MATERIALS

- INSULATION SLEEVE: Heat-shrinkable, transparent blue, radiation cross-linked modified polyvinylidene fluoride.
- SOLDER PREFORM WITH FLUX AND THERMAL INDICATOR:
SOLDER: TYPE Sn96 per ANSI-J-STD-006.
FLUX: TYPE ROM1 per ANSI-J-STD-004.
THERMAL INDICATOR: Color change orange to colorless.
- MELTABLE RINGS: Environment resistant thermoplastic. Color: blue.
- PRE-INSTALLED LEAD: Raychem 55A0813-22-95 in accordance with MIL-W-22759/41-22-95 AWG22 stranded nickel plated copper. Color: white with green stripe.

APPLICATION

- These parts are designed to an environment resistant shield termination on cables, rated for 150°C minimum, meeting the dimensional criteria listed, having nickel-plated shields and insulations compatible with the insert material.
See MIL-S-83519/1 or consult Raychem.
- Temperature range: -55°C to +175°C.
- Parts shall be marked with identification code per table.
- Install using TE Connectivity-approved convection or infra-red heating tools in accordance with Raychem Process Standard RCPS-100-70. Infrared tools are not recommended for use with black jackets.

For best results, prepare the wire as shown:



TE Connectivity, TE connectivity (logo), Raychem, Thermofit, and SolderSleeve are trademarks

		Raychem THERMOFIT DEVICES	TITLE: SOLDERSLEEVE DEVICE SHIELD TERMINATION WITH LEADS, HIGH TEMPERATURE IMMERSION RESISTANT		
UNLESS OTHERWISE SPECIFIED DIMENSIONS ARE IN MILLIMETERS. INCHES DIMENSIONS ARE BETWEEN BRACKETS.			DOCUMENT NO.: SO96-X-55-22-95		
TOLERANCES: 0.00 N/A 0.0 N/A 0 N/A	ANGLES: N/A ROUGHNESS IN MICRON	TE Connectivity reserves the right to amend this drawing at any time. Users should evaluate the suitability of the product for their application.	Revision: A	Issue Date: April 2020	
DRAWN BY: M. FORONDA	DATE: 06-Jan-00	ECO: ECO-20-004961	SCALE: None	SIZE: A	SHEET: 1 of 1

Print Date: 16-Apr-20 If this document is printed it becomes uncontrolled. Check for the latest revision

X-ON Electronics

Largest Supplier of Electrical and Electronic Components

Click to view similar products for [Solder & Shield Tubing](#) category:

Click to view products by [TE Connectivity](#) manufacturer:

Other Similar products are found below :

[CTC-0062-20-9/5-9](#) [CTC-0062-22-9/5-9](#) [650076N001](#) [680441-000](#) [D-150-0331CS2902](#) [D-181-1222-90/9CS2800](#) [D-300-01CS1108](#) [982127-1](#) [D-436-0127CS391](#) [D-436-0182CS246](#) [D-436-37CS2651](#) [D-436-58CS246](#) [D-436-61CS246](#) [D-436-82-CS2621](#) [D-750-0005CS2493](#)
[E53797N001](#) [S200-2-01](#) [S200-4-00CS2904](#) [LSS-81-16AA-CS5575](#) [SO63-2-9036-22CS2677](#) [SO63-3-01CS293](#) [SO63-3-9036-20CS2677](#)
[SO63-4-9036-20CS2677](#) [SO63-5-9036-22CS2677](#) [CC1525-000](#) [CTA-0025](#) [D-108-01CS227](#) [D-108-07CS436](#) [D-128-0010](#) [D-141-0108CS404](#)
[D-142-51-202-7754](#) [D-144-41CS1371](#) [D-150-0231-NRCS2896](#) [B-801-18-01](#) [515-9](#) [C67137-000](#) [D-436-36CS2908](#) [D-436-37CS2908](#) [D-436-52CS246](#) [D-436-83CS2705](#) [D-438-0102](#) [LSS-26-8A](#) [427243-000](#) [D-106-2012](#) [D-300-08CS1108](#) [UWCS-2U/7.6-1C/5.8](#) [620026-000](#) [B-004-00](#) [140945-000](#) [NAS1744-3](#)