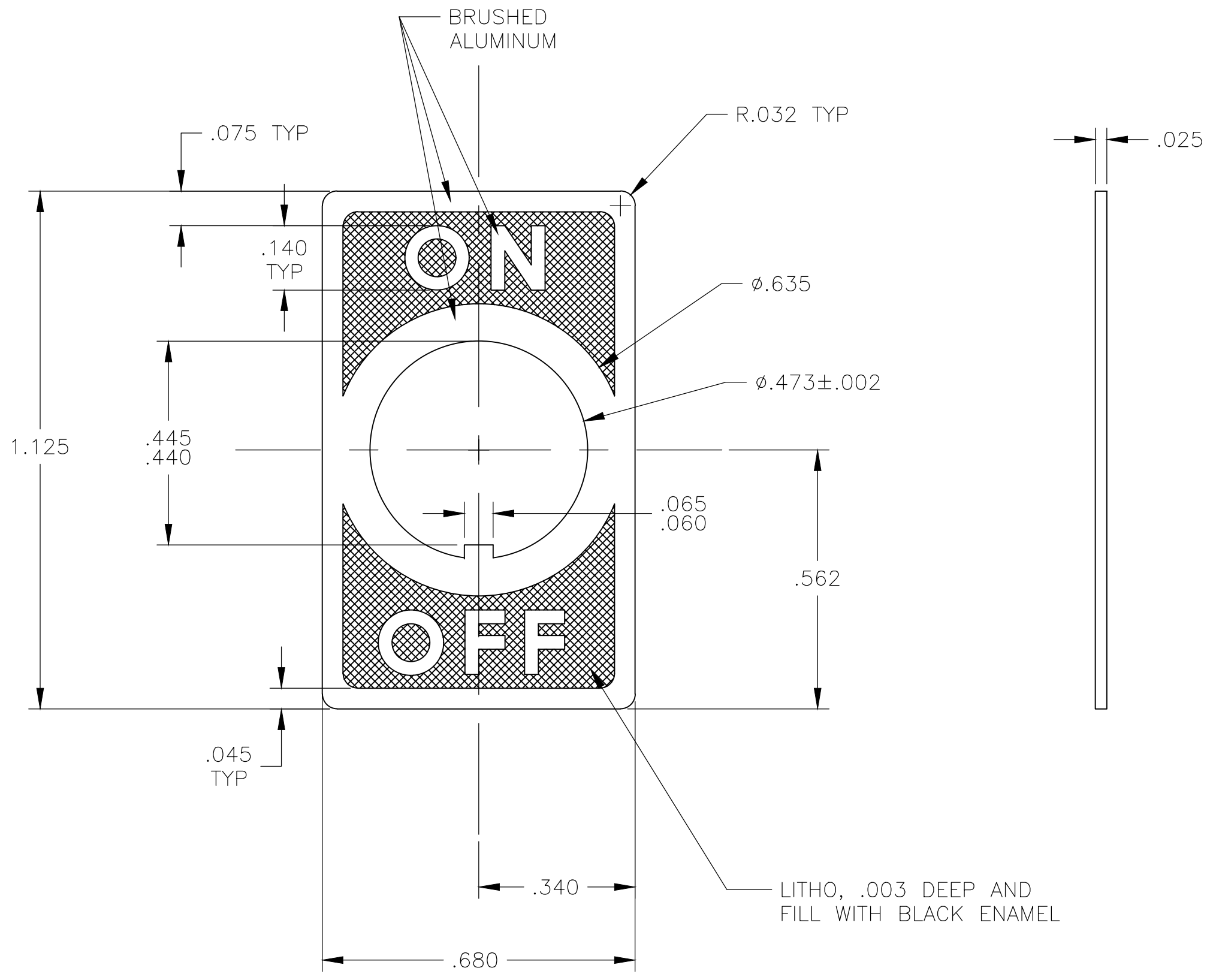
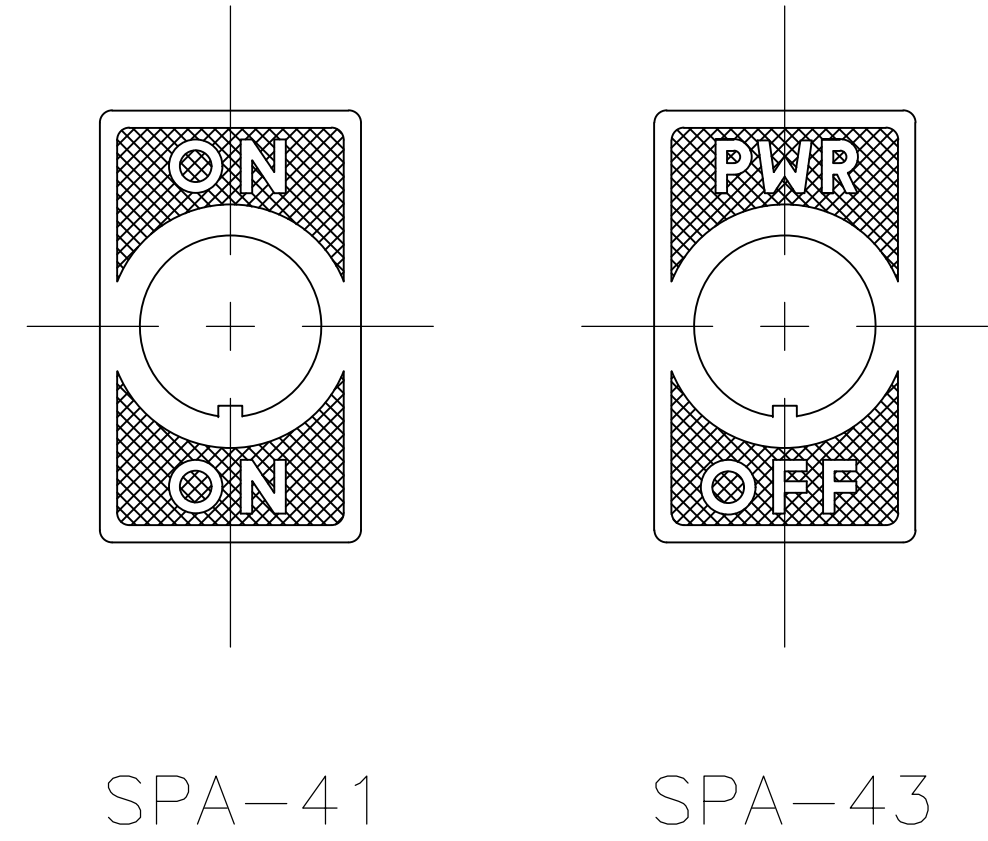


THIS DRAWING IS UNPUBLISHED. RELEASED FOR PUBLICATION
 © COPYRIGHT - TE Connectivity Ltd. ALL RIGHTS RESERVED.

REVISIONS					
P	LTR	DESCRIPTION	DATE	DWN	APVD
A1		ECR-16-017266	01JUN2018	SR	PO



SPA-42



SCALE 2:1

OBSOLETE	SPA-43	2-1437628-7
	SPA-42	2-1437628-6
	SPA-41	2-1437628-5
	ALCO PT. NO.	TYCO PT. NO.

THIS DRAWING IS A CONTROLLED DOCUMENT.		DWN	R BROWN	19NOV02	 TE Connectivity Ltd.
DIMENSIONS: INCHES		CHK	M ZITTO	19NOV02	
TOLERANCES UNLESS OTHERWISE SPECIFIED:		APVD	M ZITTO	19NOV02	
0 PLC ± - 1 PLC ± - 2 PLC ± - 3 PLC ± .005 4 PLC ± - ANGLES ± -		PRODUCT SPEC	NAME		
MATERIAL	FINISH	WEIGHT	SCALE		SIZE
			A2		CAGE CODE
			C=2-1437628-5		DRAWING NO
CUSTOMER DRAWING			SCALE	4:1	SHEET
				1	OF 1
				REV	A1

X-ON Electronics

Largest Supplier of Electrical and Electronic Components

Click to view similar products for [Switch Fixings](#) category:

Click to view products by [TE Connectivity](#) manufacturer:

Other Similar products are found below :

[893102000](#) [00-5150](#) [LZZ1A](#) [0098.9234](#) [61-9451.0](#) [M2PA-5011](#) [630155](#) [635401](#) [6PA113](#) [6PA147-E6](#) [6PA148-E6](#) [6PA32](#) [6PA9](#) [700109](#)
[700303A56](#) [700C1GRY](#) [700C2GRN](#) [704-6001](#) [704.960.9](#) [704.965.2](#) [704.965.6](#) [704.966.0](#) [7089-3](#) [710082-B11](#) [71M1048](#) [757200264](#)
[764300000](#) [MHU35](#) [MHU37](#) [807039-1](#) [825.003.011](#) [825.005.011](#) [825.053.011](#) [825.055.011](#) [826.000.071](#) [827.020.011](#) [827.400.021](#)
[835.900.023](#) [MML52C10C](#) [MML52E10C](#) [MML92HGH](#) [MML93K](#) [84211M02CNNS](#) [84212M02CNNS](#) [84217A8.0LNOS](#) [842.500.011](#)
[843.000.011](#) [843187-000](#) [843487-000](#) [84-901](#)