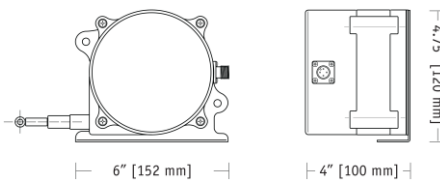




175-inch model shown



The SR1M is part of a series of rugged, low-cost, high performance string pots built for wet environments and outdoor applications. Designed for the rigors of outdoor construction equipment or the demands of a factory floor, the SR1M is the perfect low-cost solution for OEM and stocking distributors.

What sets this sensor apart from other string pots, is the internal programmable digital circuitry that gives the customer a one-size-fits-all approach for many applications. The SR1M ships factory calibrated to the full stroke range but the output signal can be easily re-scaled to match any stroke down to 1 inch (25 mm).

## SR1M

### Cable Actuated Sensor Industrial • User Scalable 4–20mA

User Adjustable Stroke Range to 175 inches (3 meters)

Easy Push-Button Zero and Span Adjust

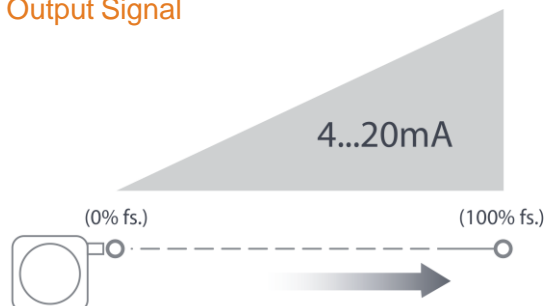
Designed for Outdoor & IP67 environments

**In Stock for Quick Delivery!**

#### Specifications

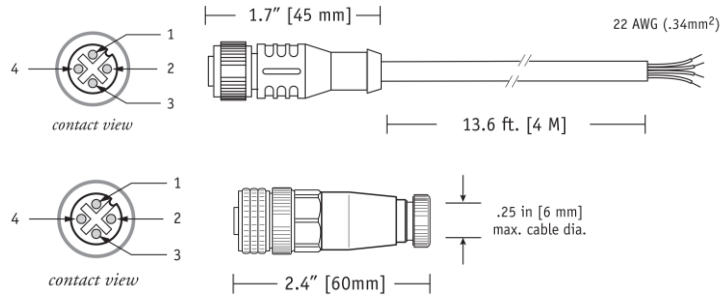
<b>Full Stroke Range, SR1M-125</b>	125 inches (3175 mm), maximum
<b>Full Stroke Range, SR1M-175</b>	175 inches (4445 mm), maximum
<b>Minimum Full Stroke Range</b>	1 inches (25 mm)
<b>Output Signal Settings</b>	4...20mA, 20...4mA
<b>Input Voltage</b>	10-30 VDC
<b>Accuracy, full stroke range <math>\geq</math> 10 inches (254 mm)</b>	.5% FS.
<b>Accuracy, full stroke range <math>&lt;</math> 10 inches (254 mm)</b>	consult factory
<b>Repeatability</b>	.1% FS.
<b>Resolution</b>	.0015% FS.
<b>Output Signal Update Rate</b>	1 msec
<b>Maximum Velocity</b>	80 inches (2 meters) per second
<b>Maximum Acceleration</b>	10 g (retraction)
<b>Measuring Cable Tension</b>	23 oz. (6,4 N) $\pm$ 30%
<b>Sensor</b>	plastic-hybrid precision potentiometer
<b>Cycle Life</b>	250,000 (potentiometer)
<b>Enclosure</b>	polycarbonate
<b>Measuring Cable</b>	.034-inch dia. nylon-coated stainless
<b>Electrical Connection</b>	M12 Connector (mating plug included)
<b>Environmental Suitability</b>	NEMA 6, IP67
<b>Operating Temperature</b>	-40° to 185° F (-40° to 85° C)
<b>Weight</b>	2.5 lbs. (1.3 Kg)

#### Output Signal



**Electrical Connection**

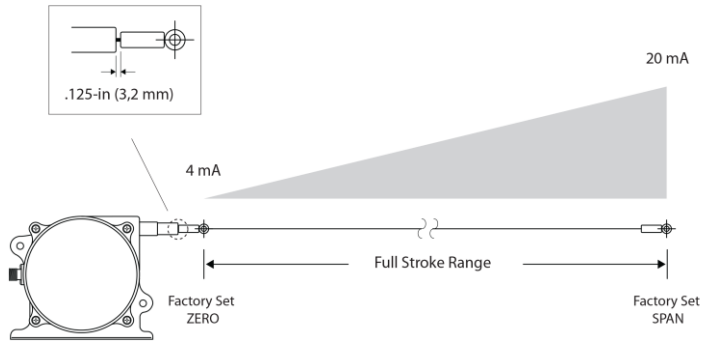
i/o signal	connector pin	colorcode (cordset)
10...30 vdc	1	brown
n/c	2	white
output signal	3	blue
n/c	4	black



**Factory Calibrated Stroke Range**

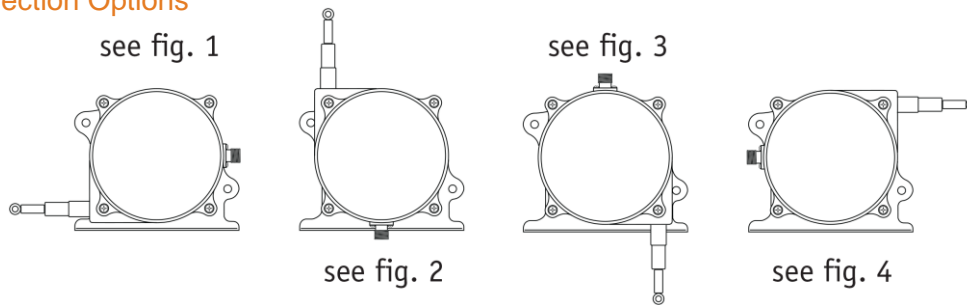
The full scale output signal is set at the factory to the maximum full stroke range of the sensor. The ZERO point (output = 4mA) is set at the beginning\* of the stroke range (0 inches) and the SPAN point (output = 20mA) is set to the end of the range (125 inches or 175 inches depending on model).

**\*Important** — The ZERO point is set at the factory with the measuring cable pulled out .125 inches from full retraction. If the measuring cable becomes fully retracted at any time when the sensor is under power, the output signal will begin to fluctuate. This is normal and fluctuation will stop as soon as the cable is extended greater than .125 inches.



*This is for the factory setting only and the ZERO may be reprogrammed at full retraction at any time.*

**Cable Exit Direction Options**



**Changing the Cable Exit**

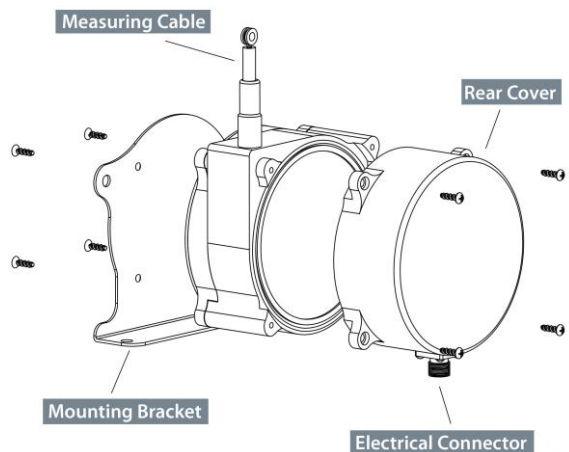
**Changing Measuring Cable Exit**

To change the direction of the measuring cable, remove the 4 mounting bracket screws and rotate bracket to one of four available positions. See figures 1 - 4 on the following pages for mounting dimensions.

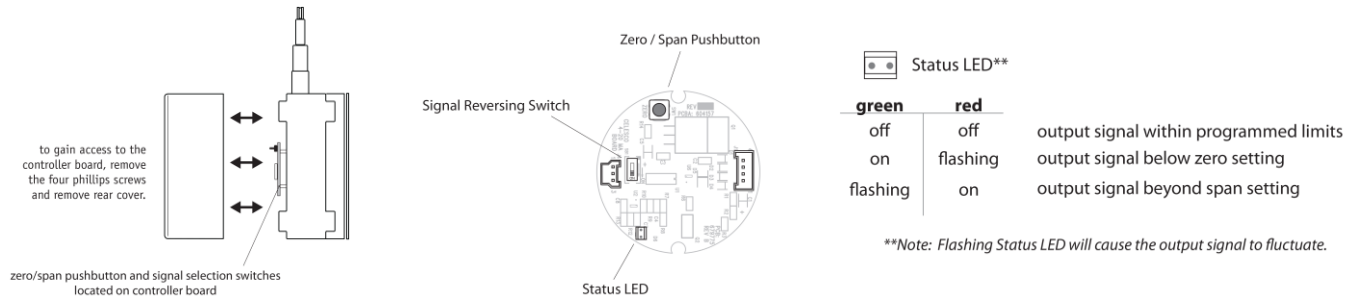
**Changing Electrical Connector Direction**

To change the position of the electrical connector, remove the 4 rear cover screws and carefully separate rear cover from the sensor body.

Rotate the rear cover to desired position being careful to not tangle the wiring harness that runs to the connector.



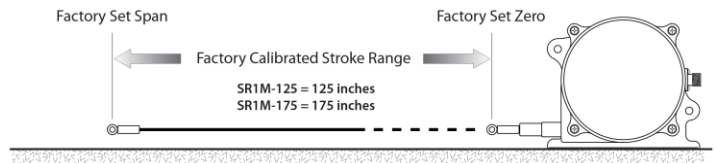
## Internal Controller Board



## Changing Output Signal

### Reprogramming ZERO and SPAN:

The ZERO and SPAN points have been preset at the factory but can easily be changed to match any desired stroke within the full stroke limits of the sensor. To reprogram the SR1M to your own settings, remove the rear cover to gain access to the internal controller board. Locate the push-button on the circuit board and follow the instructions below.



Please note that ZERO and SPAN points can be set independently. You can set one without setting the other. This operation must be performed with the sensor under power. *Important: when you are finished, disconnect power for at least 2 seconds to permanently set your new settings.*

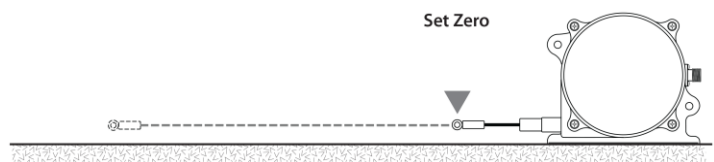
### Setting Span:

Set the cable to the desired SPAN point then depress and hold the button until the STATUS LED begins to flash RED. Release the button when the LED begins to flash RED (not GREEN). The flashing will then slow down to about two-second intervals to indicate that the SPAN value is being set into memory. When completed, the STATUS LED will turn off.

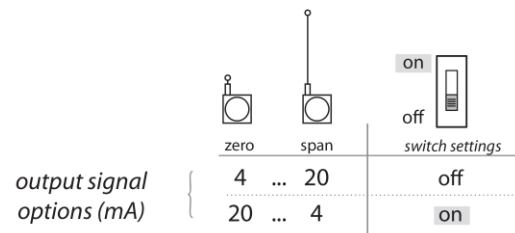


### Setting Zero:

Set the cable to the desired ZERO point and then depress and hold the button until the STATUS LED begins to flash GREEN. Release the button when the LED begins to flash GREEN (not RED). The flashing will then slow down to about two-second intervals to indicate that the ZERO value is being set into memory. When completed, the STATUS LED will turn off. Remove power for 2 seconds then reconnect.



## Reversing the Output Signal

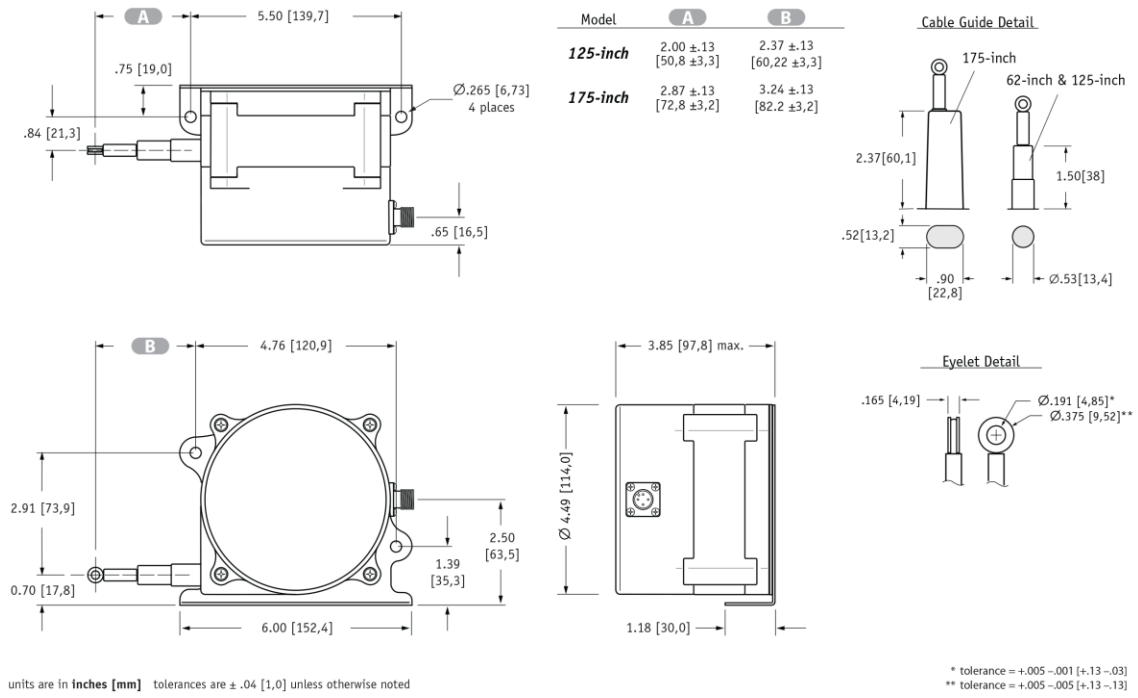


The SR1M leaves the factory set with a 4..20 mA full scale output signal. The signal can be reversed (see illustration) by simply changing a dipswitch located on the controller board.

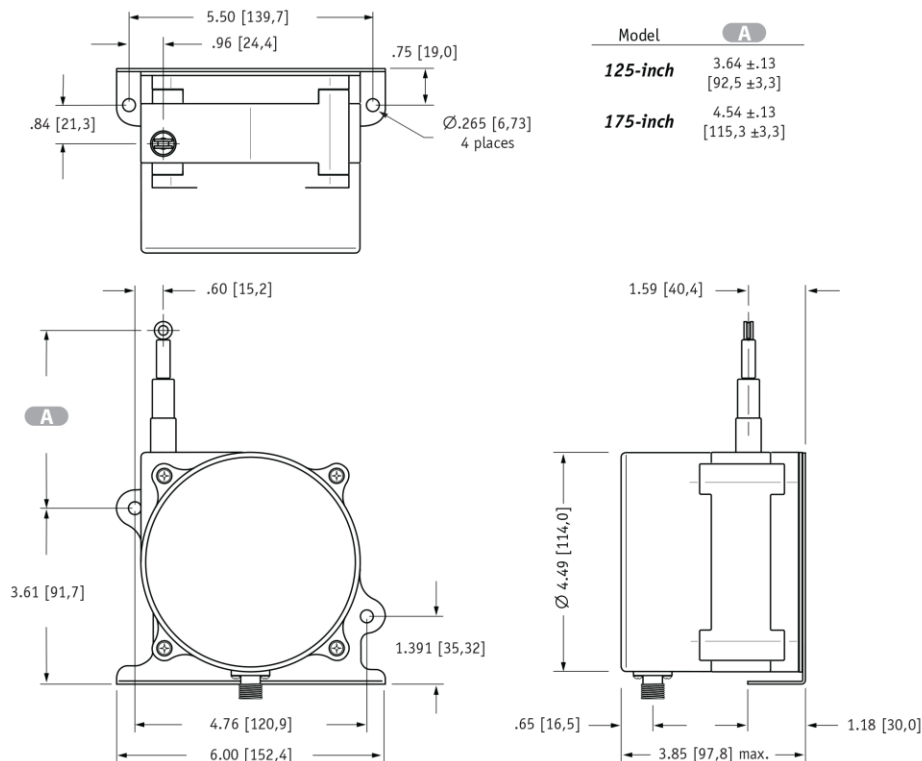
This may be done without resetting the “zero” and “span” points.

Remove the rear cover to gain access to the board.

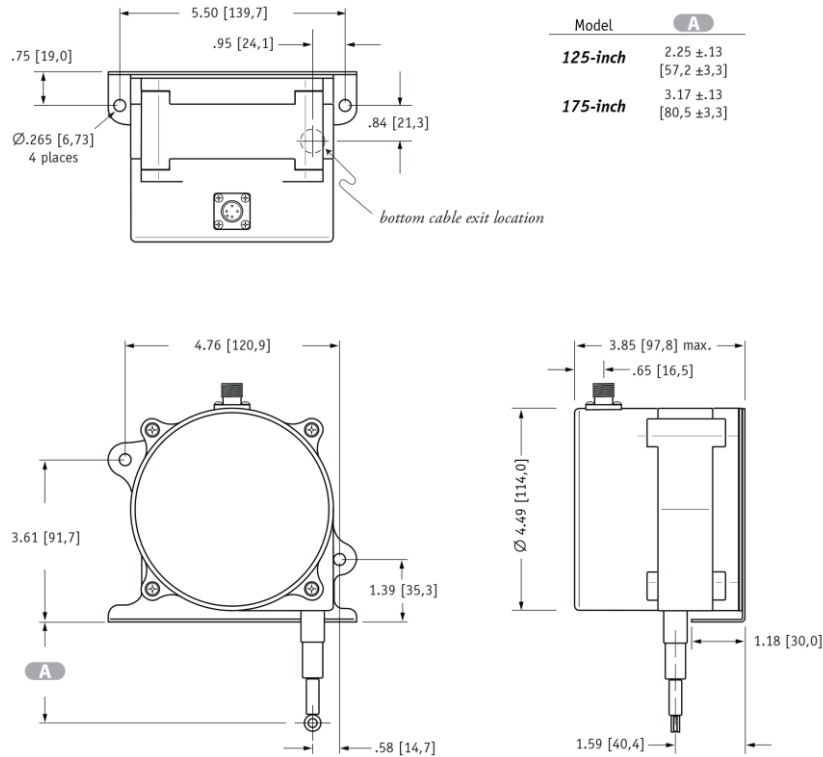
**Fig. 1 - Outline Drawing (as shipped)**



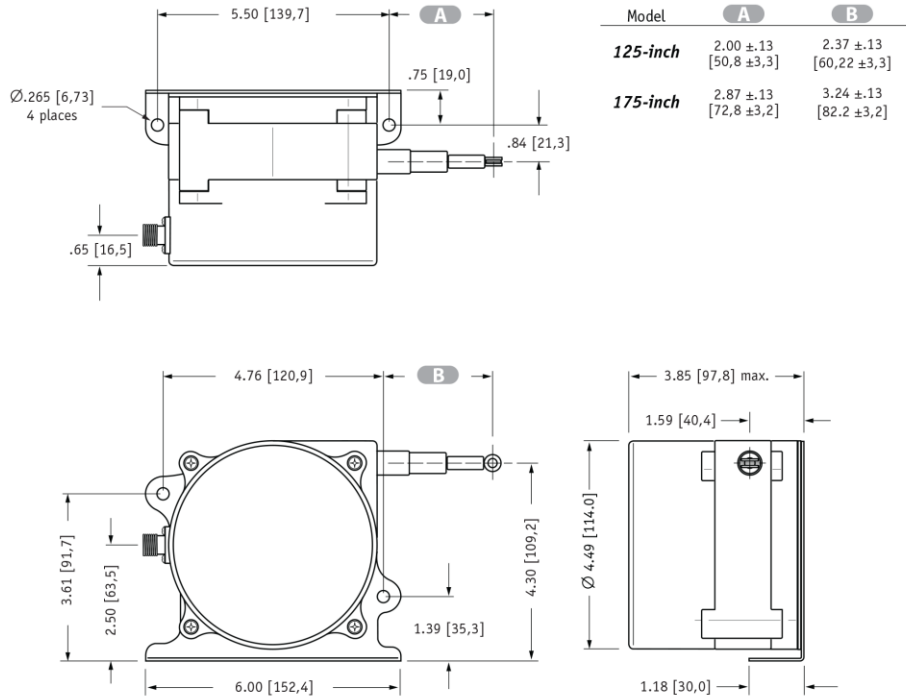
**Fig. 2 - “Up” Cable Exit Direction**



**Fig. 3 - "Down" Cable Exit Direction**



**Fig. 4 - "Rear" Cable Exit Direction**

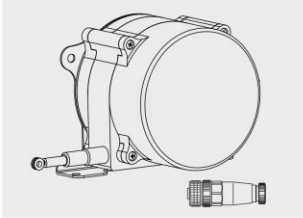


units are in inches [mm] tolerances are ± .04 [1,0] unless otherwise noted

## SPD

SPD Compact, High-Performance • Dual Output to 50"

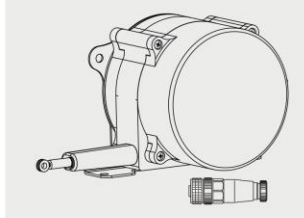
### Ordering Information



Order No.

**SR1M-125**

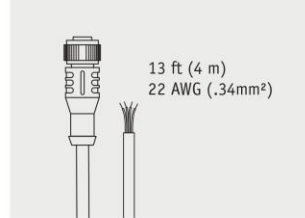
125-inch stroke range,  
4–20mA output,  
4-pin M12 mating plug &  
mounting bracket included.



Order No.

**SR1M-175**

175-inch stroke range,  
4–20mA output,  
4-pin M12 mating plug &  
mounting bracket included.



Order No.

**9036810-0040**

for short-run connections,  
optional 13-ft cordset  
with 4-pin M12 mating  
plug.

### NORTH AMERICA

Measurement Specialties, Inc.,  
a TE Connectivity company  
20630 Plummer Street  
Chatsworth, CA 91311  
Tel +1 800 423 5483  
Tel +1 818 701 2750  
Fax +1 818 701 2799  
info@celesco.com

### [TE.com/sensorsolutions](http://TE.com/sensorsolutions)

Measurement Specialties, Inc., a TE Connectivity company.

Measurement Specialties, TE Connectivity, TE Connectivity (logo) and EVERY CONNECTION COUNTS are trademarks. All other logos, products and/or company names referred to herein might be trademarks of their respective owners.

The information given herein, including drawings, illustrations and schematics which are intended for illustration purposes only, is believed to be reliable. However, TE Connectivity makes no warranties as to its accuracy or completeness and disclaims any liability in connection with its use. TE Connectivity's obligations shall only be as set forth in TE Connectivity's Standard Terms and Conditions of Sale for this product and in no case will TE Connectivity be liable for any incidental, indirect or consequential damages arising out of the sale, resale, use or misuse of the product. Users of TE Connectivity products should make their own evaluation to determine the suitability of each such product for the specific application.

© 2015 TE Connectivity Ltd. family of companies All Rights Reserved.

SR1M 12/01/2015

## X-ON Electronics

Largest Supplier of Electrical and Electronic Components

*Click to view similar products for [Potentiometers](#) category:*

*Click to view products by [TE Connectivity](#) manufacturer:*

Other Similar products are found below :

[58C2-2](#) [590SX1N32F103SS](#) [591SXP56S252SC](#) [D31409](#) [70B1G048K502X-A](#) [70B1M032S502W](#) [70B1N056S202W](#) [70B8N056F502W](#)  
[70J8N048S104U](#) [70L1N040P103W](#) [70L1N048P103X](#) [70L1N048S103W](#) [GA2L040S102UC](#) [GA2L040S103UC](#) [GS1G044P103UA](#)  
[GS1N048P103UA](#) [GS1T032S103UA](#) [A43-1500](#) [A43-20K](#) [A47-200K](#) [A4720K](#) [132-2-0-202](#) [132-0-0-202](#) [RK14K1220-F25-C0-A103](#)  
[RK14K1220F25C0C104](#) [RK14K1220-F25-C1-B103](#) [14910FAGJSX10102KA](#) [14910FBGLFY00103KA](#) [14910FAGJSX10104KA](#) [152-01031](#)  
[C0342008 5K](#) [J97589](#) [23M728](#) [248BBHS0XB25104MA](#) [248BBHS0XB25503MA](#) [RV170F-10-15R1-B500K-0021](#) [RV8NAYSB104A](#)  
[917523A](#) [A43-40](#) [A43-750](#) [A43S-5](#) [A47-15K](#) [A4750K](#) [SPPG048S103U](#) [SPPG056P103U](#) [SWE-10](#) [GA2G040F103BA](#) [GS1G052F103UA-A](#)  
[GS1G056S502UA](#) [GS1N052F103UA](#)