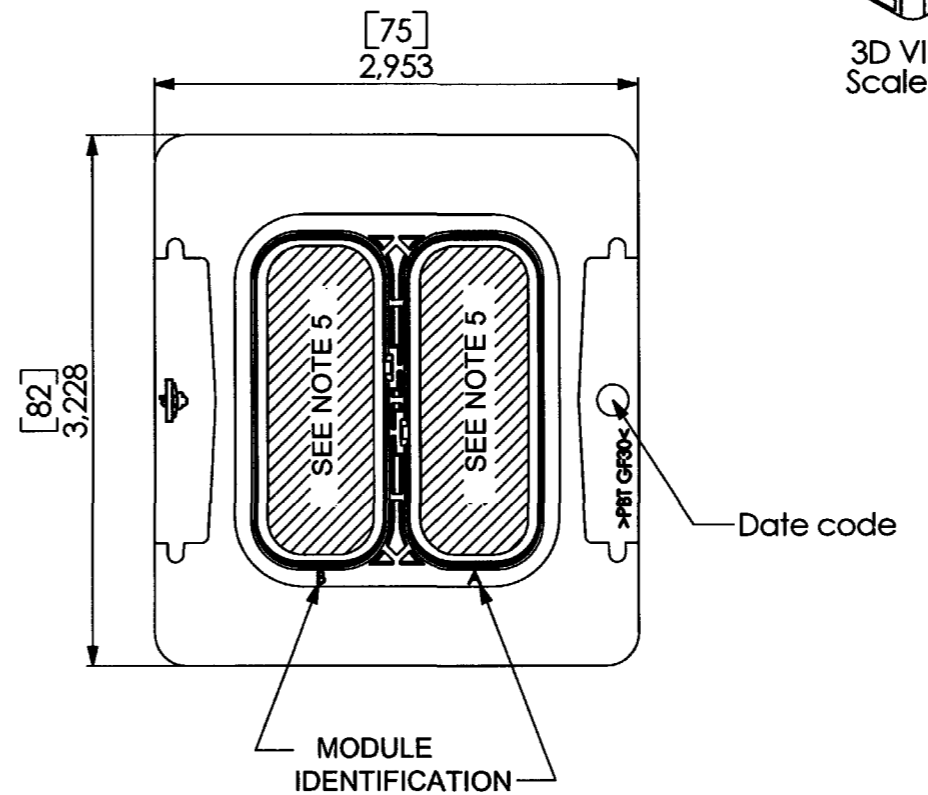
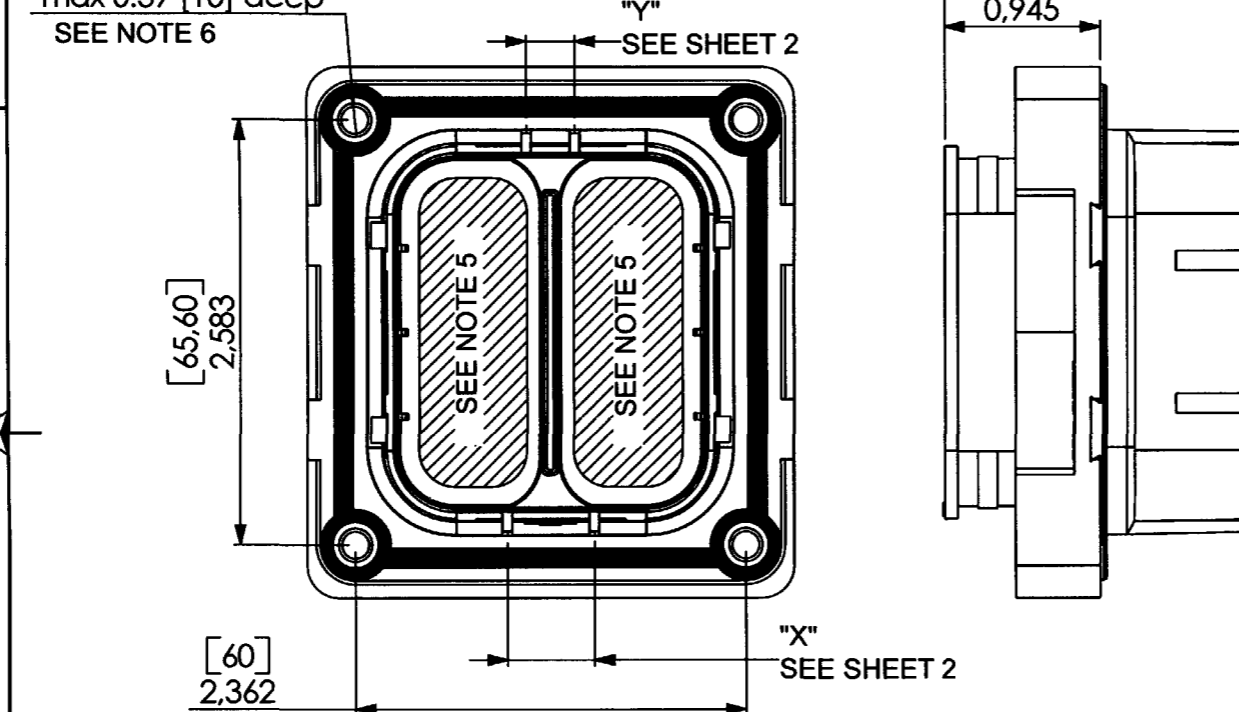
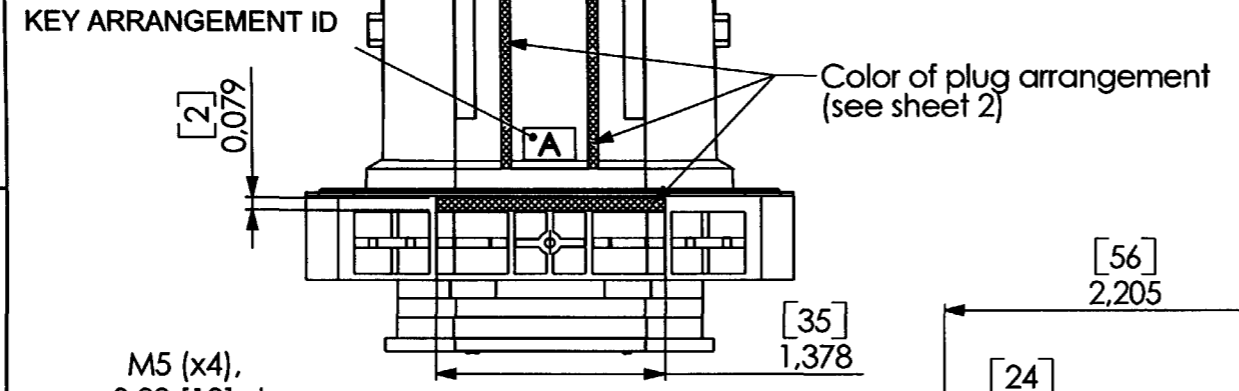
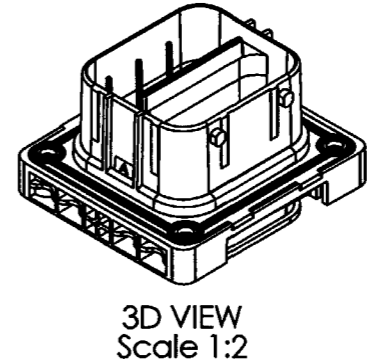


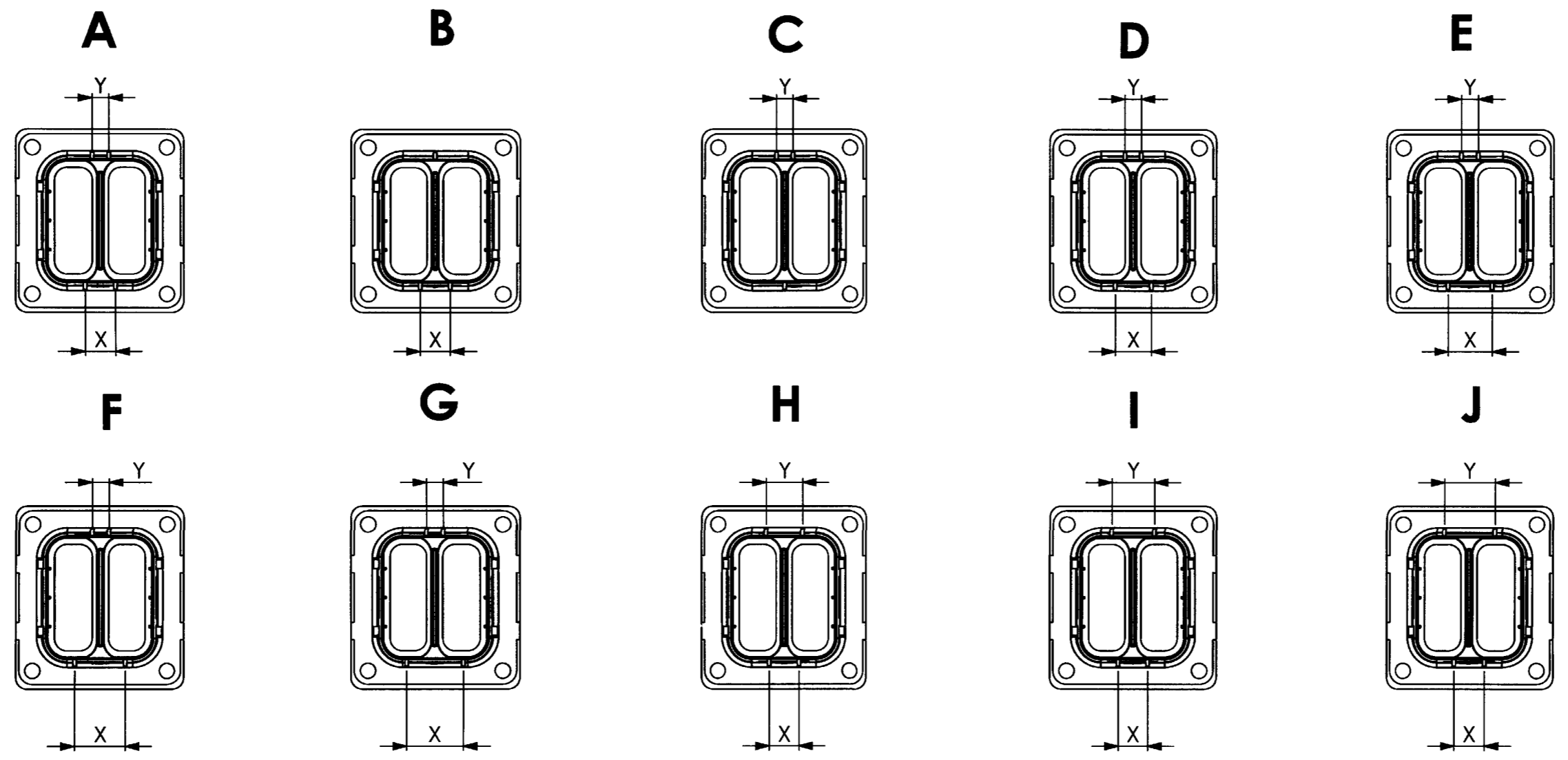
REV DESCRIPTION DATE INIT
 B NEW RELEASE PER EO P20267 7-29-09 RDR



9. SEE 0425-015-0000 FOR CONTACTS; WIRE PERFORMANCE AND APPLICATION CHARACTERISTICS.
 8. SEE 11322C-PF026-00 FOR RECOMMENDED PANEL CUTOUTS.
 7. SEE SHEET 2 FOR OTHER KEY ARRANGEMENTS.
 6. RECOMMENDED SCREW: M5 X 0.8. TORQUE: 20-25 IN-LB [2.26-2.83 NM].
 5. SEE SRK06-FL*-*-00* FOR MATING PLUGS. SEE 37322C-00013-01 FOR MODULE ARRANGEMENTS.
 4. MATERIAL - PLASTIC (BLACK); THREADED INSERTS: BRASS; SEALS: SILICONE.
 3. FLANGE SEAL IS SHIPPED WITH RECEPTACLE.
 2. DIMENSION TOLERANCE: ±.025 [0.64].
 1. DIMENSIONS ARE IN INCHES [mm].
- NOTES: UNLESS OTHERWISE SPECIFIED

MODIFIE MODIFIED	PAR BY		Dimensions en mm Dimensions in mm	Fusille Sheet	Echelle Scale
CREE LE CREATED	07-23-09	PAR D. MEYER BY	Masse corps d'embase g / Socket body weight g	Statut / Status	NOTA: TOUTES LES COTES S'ENTENDENT APRES PROTECTION ALL DIMENSIONS GET ALONG AFTER PROTECTION
RECEPTACLE, FLANGED, MODULE FULL SIZE ENVELOPE			105	-	SRK SERIES
		DEUTSCH 22 rue des chaises F-45140 Saint Jean de la Ruelle Tél : 02 38 70 45 00 Fax : 02 38 70 45 45 www.deutsch.net	SRK02-FL*-*-00*	B	INDICE REVISION
					A3

REV DESCRIPTION DATE INIT
 B NEW RELEASE PER EO P20267 7-29-09 RDR



ARRANGEMENT	COLOR	X (inch)	Y (inch)	X (mm)	Y (mm)
A	-	0,53	0,3	13,5	7,5
B	Red	0,53	-	13,5	-
C	Orange	-	0,3	-	7,5
D	Yellow	0,65	0,3	16,5	7,5
E	Green	0,77	0,3	19,5	7,5
F	Brown	0,89	0,3	22,5	7,5
G	Purple	1	0,3	25,5	7,5
H	Grey	0,53	0,65	13,5	16,5
I	White	0,53	0,77	13,5	19,5
J	Gold	0,53	0,89	13,5	22,5

MODIFIE LE MODIFIED	PAR BY		Dimensions en mm Dimensions in mm	Feuille 2 OF 2 Sheet	Echelle NONE Scale
CREE LE CREATED	07-23-09	PAR D. MEYER BY	Masse corps d'embase g Socket body weight g 105	Statut / Status -	NOTA: TOUTES LES COTES SE DETERMINENT APRES PROTECTION ALL DIMENSIONS GET ALLOW AFTER PROTECTION
RECEPTACLE, FLANGED, MODULE FULL SIZE ENVELOPE					
 DEUTSCH 22 rue des chaises F-45140 Saint Jean de la Ruelle Tél : 02 38 70 45 00 Fax : 02 38 70 45 45 www.deutsch.net				SRK02-FL *-***-00*	B
CE DOCUMENT EST LA PROPRIETE DE COMPAGNE DEUTSCH. IL NE PEUT ETRE UTILISE, REPRODUIT, COMMUNIQUE OU VALAQUE SANS AUTORISATION PREALABLE. CE PAVÉ A ETE REALISE PAR ORDINATEUR (SOLIDWORKS) IL NE DEVRA ETRE MODIFIE QUE PAR DES MOYENS CAD.					INDICE REVISION A3
THIS DOCUMENT IS THE PROPERTY OF COMPAGNE DEUTSCH. IT CANNOT BE USED, REPRODUCED, COMMUNICATED OR REVEALED WITHOUT PREVIOUS AUTHORIZATION. THIS DRAWING WAS REALIZED USING CAD SOFTWARE (SOLIDWORKS) IT SHALL ONLY BE MODIFIED USING CAD MEANS.					

X-ON Electronics

Largest Supplier of Electrical and Electronic Components

Click to view similar products for [Automotive Connectors](#) category:

Click to view products by [TE Connectivity](#) manufacturer:

Other Similar products are found below :

[003-018-000](#) [60403001](#) [60993906-B](#) [M902-2131](#) [M902-2161](#) [M902-2344](#) [72.330.1035.1](#) [73.353.4028.0](#) [F119300-B](#) [F166900](#) [F258300-B](#)
[F358300-B](#) [F407400](#) [F444110](#) [F487000](#) [F509500B-B](#) [827153-1](#) [8N1515-32-24P](#) [9-1326729-8](#) [925474-1](#) [928905-1](#) [964562-4](#) [968782-1](#)
[GT17SA-8DS-HU](#) [98891-1012](#) [98947-1016](#) [12004147](#) [12004475-L](#) [12010290](#) [12010309-B](#) [12015454](#) [12020219-B](#) [12041318-B](#) [12052225-](#)
[L](#) [12052466](#) [12064869](#) [12004327-B](#) [12015308](#) [12015384](#) [12015909](#) [1-21030-1](#) [12041254](#) [12041318](#) [12047946-B](#) [12047957](#) [12047957-L](#)
[12059473](#) [12066261](#) [12110546](#) [12110546-B](#)